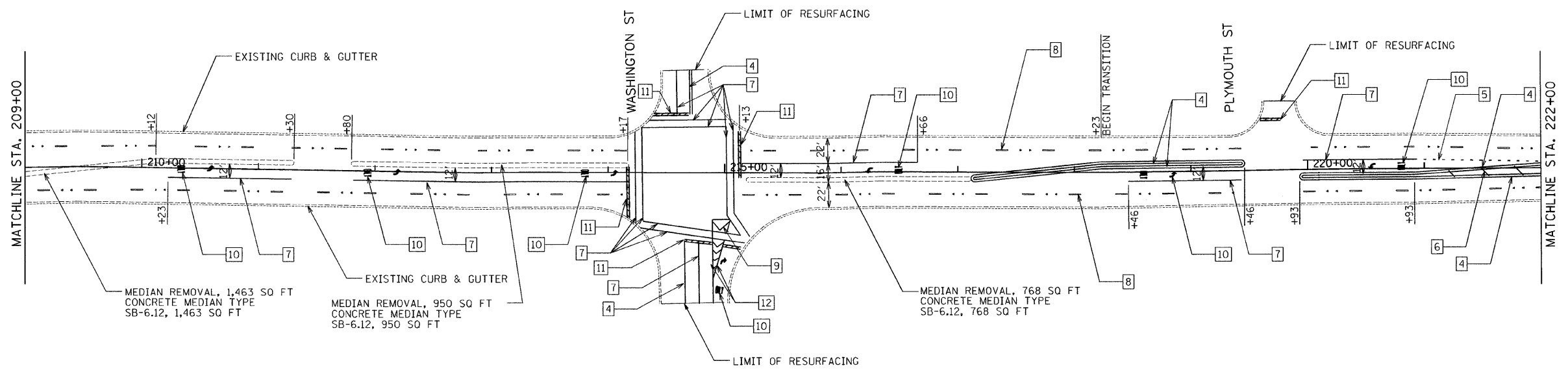


LEGEND

- 1 THERMOPLASTIC PAVEMENT MARKING - LINE 4" YELLOW SOLID
- 2 THERMOPLASTIC PAVEMENT MARKING - LINE 4" WHITE SOLID
- 3 THERMOPLASTIC PAVEMENT MARKING - LINE 4" YELLOW SKIP DASH - 10' DASH, 30' SKIP
- 4 THERMOPLASTIC PAVEMENT MARKING - LINE 4" YELLOW, 2 @ 11" C-C W/2 AMBER 2 WAY RPM'S
- 5 THERMOPLASTIC PAVEMENT MARKING - LINE 6" WHITE 2' DASH, 6' SKIP
- 6 THERMOPLASTIC PAVEMENT MARKING - LINE 12" YELLOW @ 45 DEGREE
- 7 THERMOPLASTIC PAVEMENT MARKING - LINE 6" WHITE
- 8 THERMOPLASTIC PAVEMENT MARKING - LINE 4" (WHITE 10' DASH, 30' SKIP W/ 2 CRYSTAL/OPAQUE RPM'S)
- 9 THERMOPLASTIC PAVEMENT MARKING - LINE 12" WHITE @ 45 DEGREE
- 10 THERMOPLASTIC PAVEMENT MARKING - LETTERS & SYMBOLS
- 11 THERMOPLASTIC PAVEMENT MARKING - LINE 24" WHITE
- 12 THERMOPLASTIC PAVEMENT MARKING - LINE 8" WHITE



FILE NAME = \\pba2081\2009\3023-01\CAD\Stn.dgn USER = USER DESIGNED - DRAWN - CHECKED - DATE -
 PLOT SCALE = 50.0000 "/>

FILE NAME =	USER NAME = USER	DESIGNED -	REVISED -
		DRAWN -	REVISED -
	PLOT SCALE = 50.0000 "/>	CHECKED -	REVISED -
	PLOT DATE = 6/24/2009	DATE -	REVISED -

**STATE OF ILLINOIS
DEPARTMENT OF TRANSPORTATION**

**IL 59 - IL 64 TO BATAVIA ROAD
ROADWAY AND PAVEMENT MARKING PLANS**

SCALE: 50 SHEET NO. 8 OF 13 SHEETS STA. 195+00 TO STA. 222+00

F.A.P. RTE. 338	SECTION (111 & 112) RS-8	COUNTY DUPAGE	TOTAL SHEETS 42	SHEET NO. 15
ILLINOIS FED. AID PROJECT				CONTRACT NO. 60H70