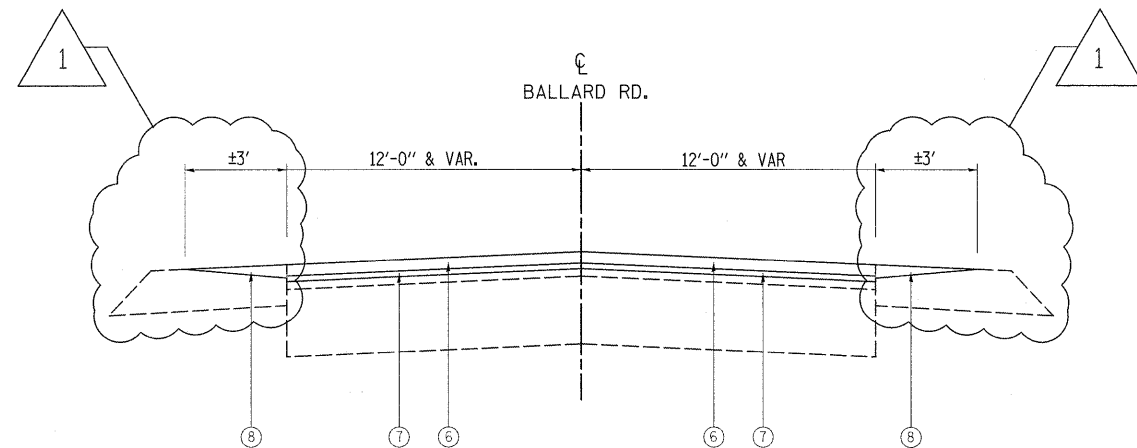


**BALLARD RD.  
EXIST. TYPICAL SECTION**  
STA. 15+98 TO STA. 48+49

**LEGEND**

- ① EXIST. AGGREGATE SHOULDER
- ② EXIST. PCC BASE COURSE, (±)9"
- ③ EXIST. COMBINATION CONCRETE CURB AND GUTTER TYPE B-6.24
- ④ EXIST. REMAINING HMA AFTER MILLING, (±)1"
- ⑤ PROP. HOT-MIX ASPHALT SURFACE REMOVAL - 2"
- ⑥ PROP. HOT-MIX ASPHALT SURFACE COURSE, MIX "D", N70, 1 1/2"
- ⑦ PROP. POLYMERIZED LEVELING BINDER (MM), IL-4.75, N50, 3/4"
- ⑧ PROP. AGGREGATE WEDGE SHOULDER, TYPE B



**BALLARD RD.  
EXIST. TYPICAL SECTION**  
STA. 15+98 TO STA. 48+49

NOTE: CONTRACTOR SHALL PATCH FIRST BEFORE MILLING

**HOT-MIX ASPHALT MIXTURE REQUIREMENTS**

MIXTURE TYPE	AC TYPE	AIR VOIDS
HOT-MIX ASPHALT SURFACE COURSE, MIX "D", N70 (IL 9.5 mm)	PG 64-22	4% @ 70 GYR
POLYMERIZED LEVELING BINDER, (MM), IL-4.75, N50	SBS/SBR PG 76-28/-22	4% @ 50 GYR
CLASS D PATCHES, (HMA BINDER IL-19 mm)	PG 64-22*	4% @ 70 GYR
HMA REPLACEMENT OVER PATCHES (HMA BINDER IL-19 mm)	PG 64-22 / 58-22	4% @ 70 GYR

THE UNIT WEIGHT USED TO CALCULATE ALL HOT-MIX ASPHALT SURFACE MIXTURE QUANTITIES IS 112 LBS/SQYD/IN.

\*WHEN RAP EXCEEDS 20%, THE NEW ASPHALT BINDER IN THE MIX SHALL BE PG 58-22

1 REV. 08/28/09 ALP