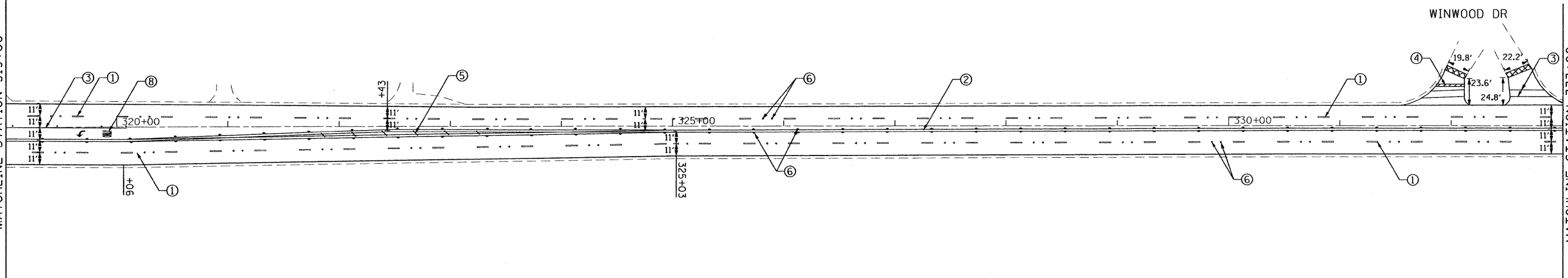


HMA SURFACE REMOVAL, 2 1/2"
 REPLACE WITH:
 POLYMERIZED LEVELING BINDER (MACHINE METHOD), IL-4.75, N50 -3/4"
 POLYMERIZED HMA SURFACE COURSE, MIX F, N90 -1 3/4" "



MATCHLINE STATION 319+00

MATCHLINE STATION 333+00



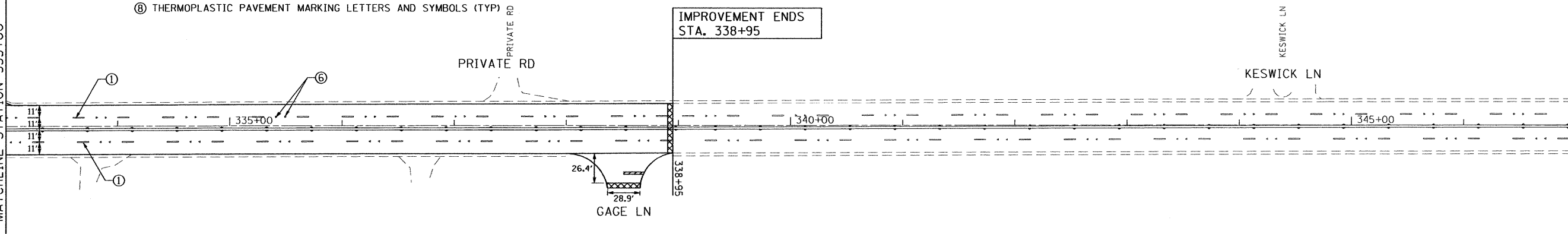
PAVEMENT MARKING LEGEND (SEE NOTE 2)

- ① THERMOPLASTIC PAVEMENT MARKING 4" WHITE LANE LINE (30' SKIP 10' DASH)
- ② THERMOPLASTIC PAVEMENT MARKING 4" DOUBLE YELLOW LINE, 11" C-C
- ③ THERMOPLASTIC PAVEMENT MARKING 6" WHITE LINE
- ④ THERMOPLASTIC PAVEMENT MARKING 24" WHITE STOP BAR LINE
- ⑤ THERMOPLASTIC PAVEMENT MARKING 12" DIAGONAL YELLOW LINE
- ⑥ RAISED REFLECTIVE PAVEMENT MARKER (SEE NOTE 3)
- ⑦ THERMOPLASTIC PAVEMENT MARKING 4" WHITE LANE LINE
- ⑧ THERMOPLASTIC PAVEMENT MARKING LETTERS AND SYMBOLS (TYP)

NOTES:

1. THE CONTRACTOR SHALL CONDUCT THE PAVEMENT PATCHING OPERATION PRIOR TO THE BITUMINOUS SURFACE REMOVAL OPERATION. ALL PAVEMENT PATCHING LOCATION WILL BE DETERMINED BY THE RESIDENT ENGINEER.
2. REFER TO DISTRICT 1 TYPICAL PAVEMENT MARKINGS (TC-13) FOR ADDITIONAL INFORMATION.
3. REFER TO DISTRICT 1 RAISED REFLECTIVE PAVEMENT MARKERS (TC-11) FOR ADDITIONAL INFORMATION.
4. THE ENGINEER SHALL CONTACT: DEBBIE HANLON FIELD TECHNICIAN, AT (847) 438-2300 A MINIMUM OF TWO (2) WEEKS PRIOR TO START OF PROJECT FOR PLACEMENT OF PERMANENT PAVEMENT MARKINGS.

MATCHLINE STATION 333+00



PROPOSED 4.5' HMA SURFACE REMOVAL BUTT JOINT
 SEE BUTT JOINTS AND HMA TAPER DETAILS (BD32)

FILE NAME : E:\2007\ME\070809_Ver-Yar-Phil\Cadd\W017_IL43\Shs\Plan-sh1-IL43-09.dgn
 USER NAME : RPL
 PLOT DATE : 7/8/2009



200 22ND Street, Suite 316, Lombard, IL 60148
 630.785.0110 voice, 630.839.2566 fax
 WWW.MPS-IL.COM

MILLENNIA PROFESSIONAL SERVICES

DESIGNED - TVN	REVISED -
DRAWN - TVN	REVISED -
CHECKED - RPD	REVISED -
DATE - 7/8/2009	REVISED -

STATE OF ILLINOIS
 DEPARTMENT OF TRANSPORTATION

IL ROUTE 43
 ILLINOIS ROUTE 60 TO GAGE LANE

ROADWAY &
 PAVEMENT MARKING PLAN

F.A.U. RTE.	SECTION	COUNTY	TOTAL SHEETS	SHEET NO.
2706	CY-RS-6	LAKE	21	8

SCALE: 1"=50' SHEET NO. OF SHEETS STA. 319+00 TO 333+00

FED. ROAD DIST. NO. 1 ILLINOIS FED. AID PROJECT CONTRACT NO. 60H90

E:\2007\ME\070809_Ver-Yar-Phil\Cadd\W017_IL43\Shs\Plan-sh1-IL43-09.dgn