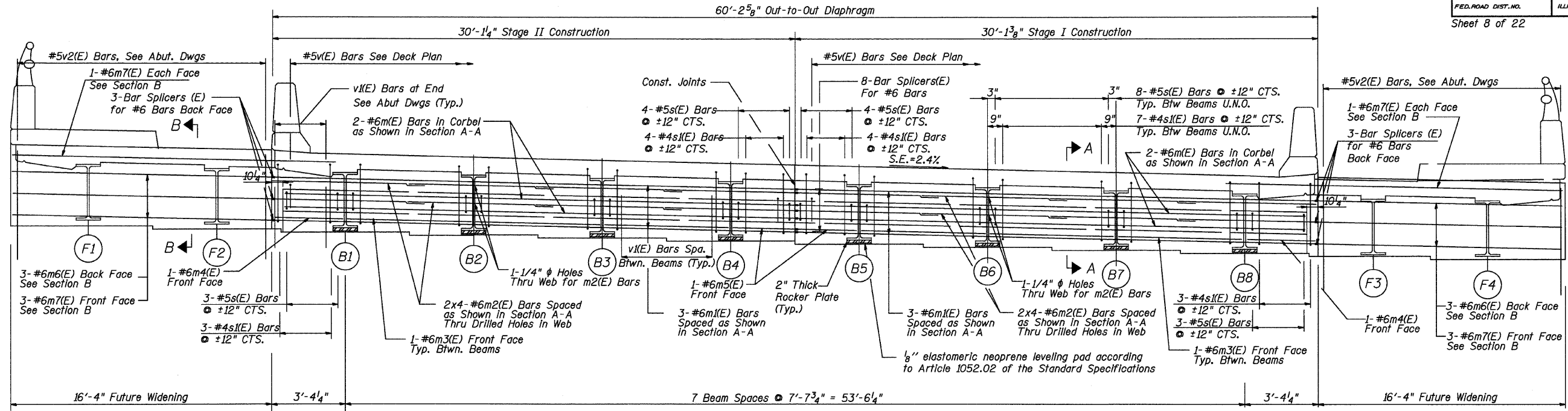


STATE OF ILLINOIS  
DEPARTMENT OF TRANSPORTATION

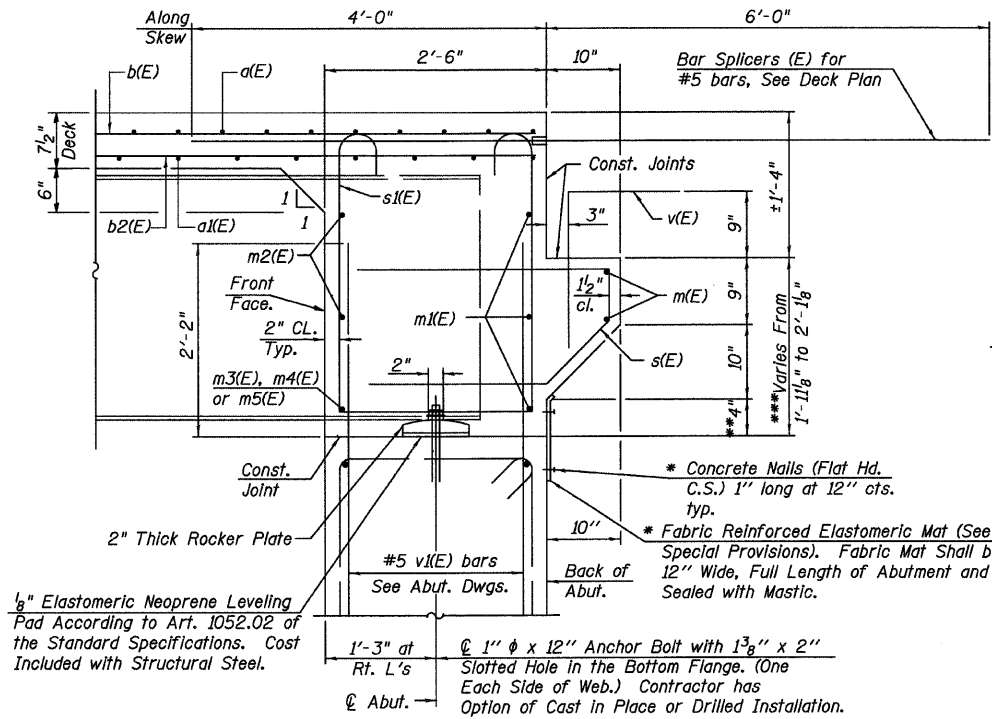
F.A.U. RTE.	SECTION	COUNTY	TOTAL SHEETS	SHEET NO.
2843	3249B-F	COOK	22	10

FED. ROAD DIST. NO. ILLINOIS FED. AID PROJECT-  
Sheet 8 of 22 Contract No. 60119



DIAPHRAGM ELEVATION AT ABUTMENT

Looking North

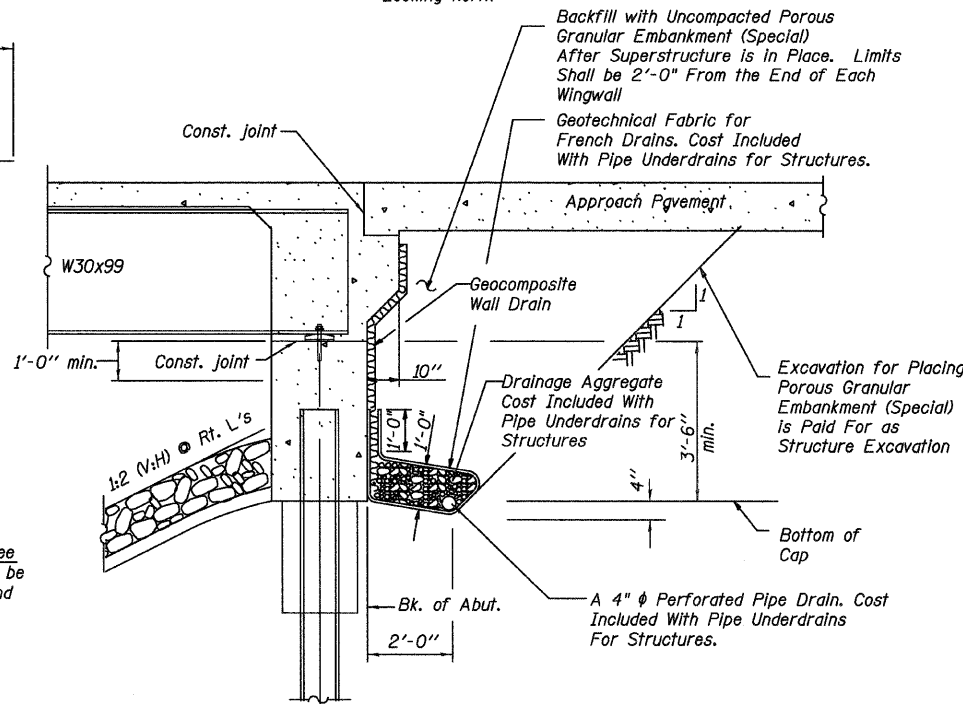


SECTION A-A

Dimensions at right angles to abutment, except as shown.  
\* Cost included with Concrete Superstructure.  
\*\*4 1/2" at Centerline of Beam  
\*\*\*2'-0 1/8" at Centerline of Beam

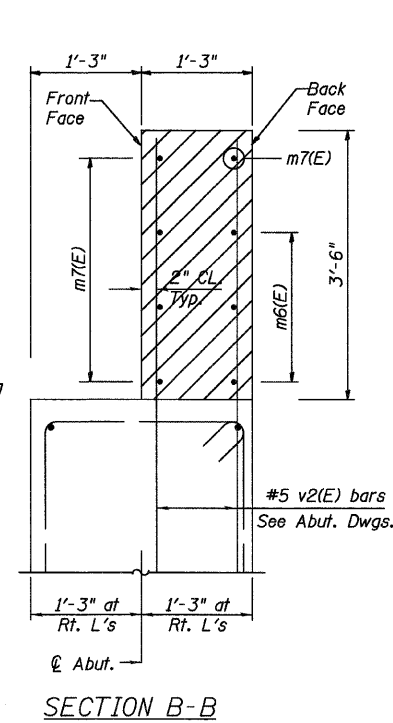
Notes:  
Reinforcement bars in Diaphragm are Billed With Superstructure on Sheet 10 of 22.  
Concrete in Diaphragm is Included with Concrete Superstructure on Sheet 7 of 22.  
For Details of Bars s(E) & s(E) See Sheet 10 of 22.  
The s(E) and s(E) Bars Shall Be Placed Parallel to the Beams. Spacing for These Bars Shall be at Right Angles to the Beams.  
For Anchor Bolt Details, See Sheet 19 of 22.

MIN. BAR LAP  
#6 bar = 2'-9"



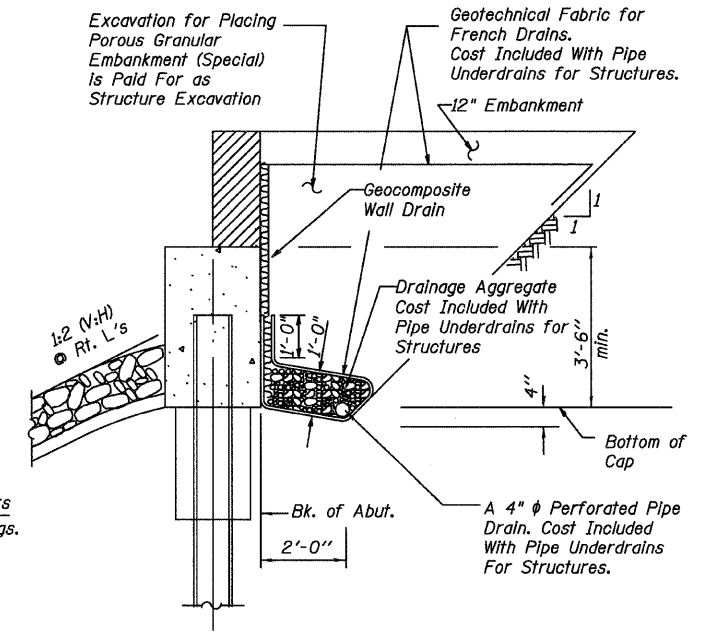
SECTION THRU ABUTMENT DRAIN

(Horiz. dim. @ Rt. L's)



SECTION B-B

Hatching Indicates Backfill Over Abutment for Interim Conditions



SECTION THRU ABUTMENT DRAIN

(Horiz. dim. @ Rt. L's)  
At Southwest Quadrant, Adjacent to Retaining Wall

REVISIONS	
NAME	DATE

DIAPHRAGM ELEVATION.  
SECTIONS & DRAIN DETAIL

DIXIE HIGHWAY OVER  
BUTTERFIELD CREEK  
F.A.U. ROUTE 2843 SECTION 3249B-F  
STA. 78+55.00  
COOK COUNTY  
STRUCTURE NUMBER 016-7946 - PROPOSED  
016-0775 - EXISTING

SCALE: NOT-TO-SCALE  
DATE 4-27-09

DRAWN BY TH  
DESIGNED BY TH  
CHECKED BY MF



FOR INFORMATION ONLY

SHEET100\F22.dgn  
6/18/2009  
10:32:24 AM