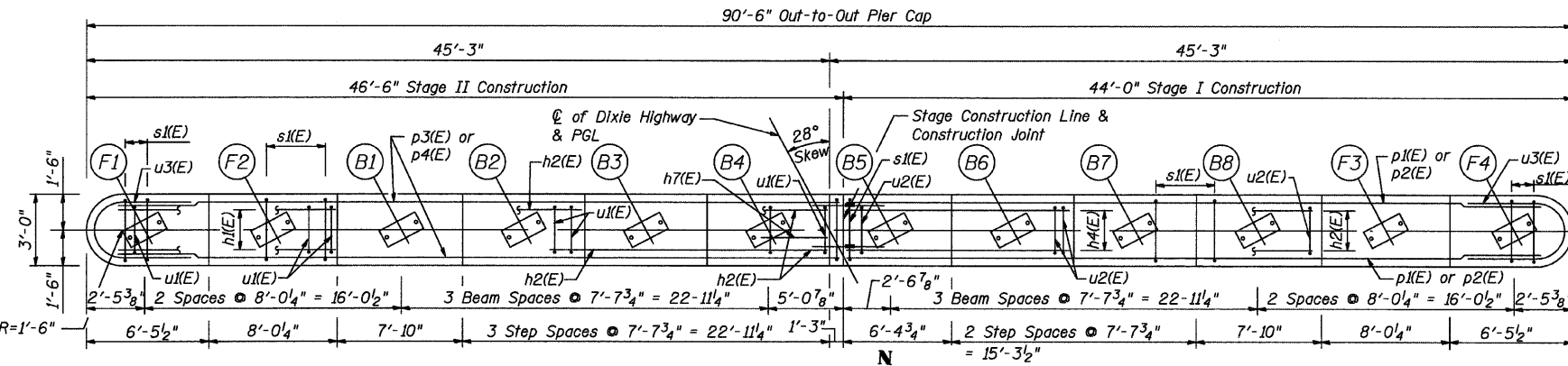


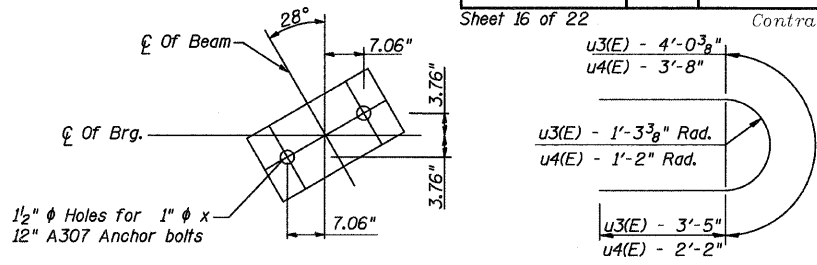
STATE OF ILLINOIS
DEPARTMENT OF TRANSPORTATION

F.A.U. RTE.	SECTION	COUNTY	TOTAL SHEETS	SHEET NO.
2843	3249B-F	COOK	22	18

FED. ROAD DIST. NO. ILLINOIS FED. AID PROJECT-
Sheet 16 of 22 Contract No. 60119

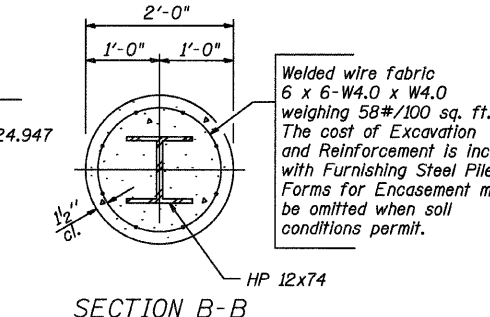
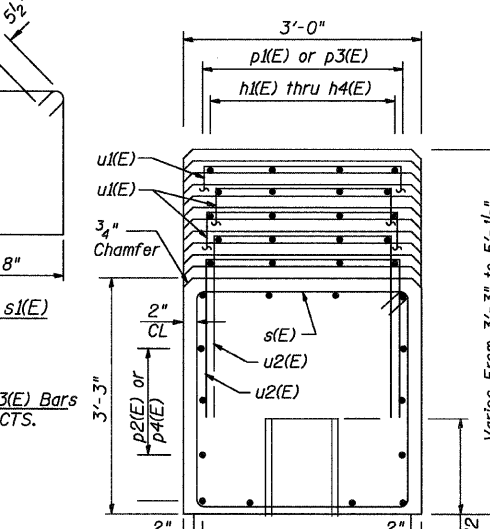
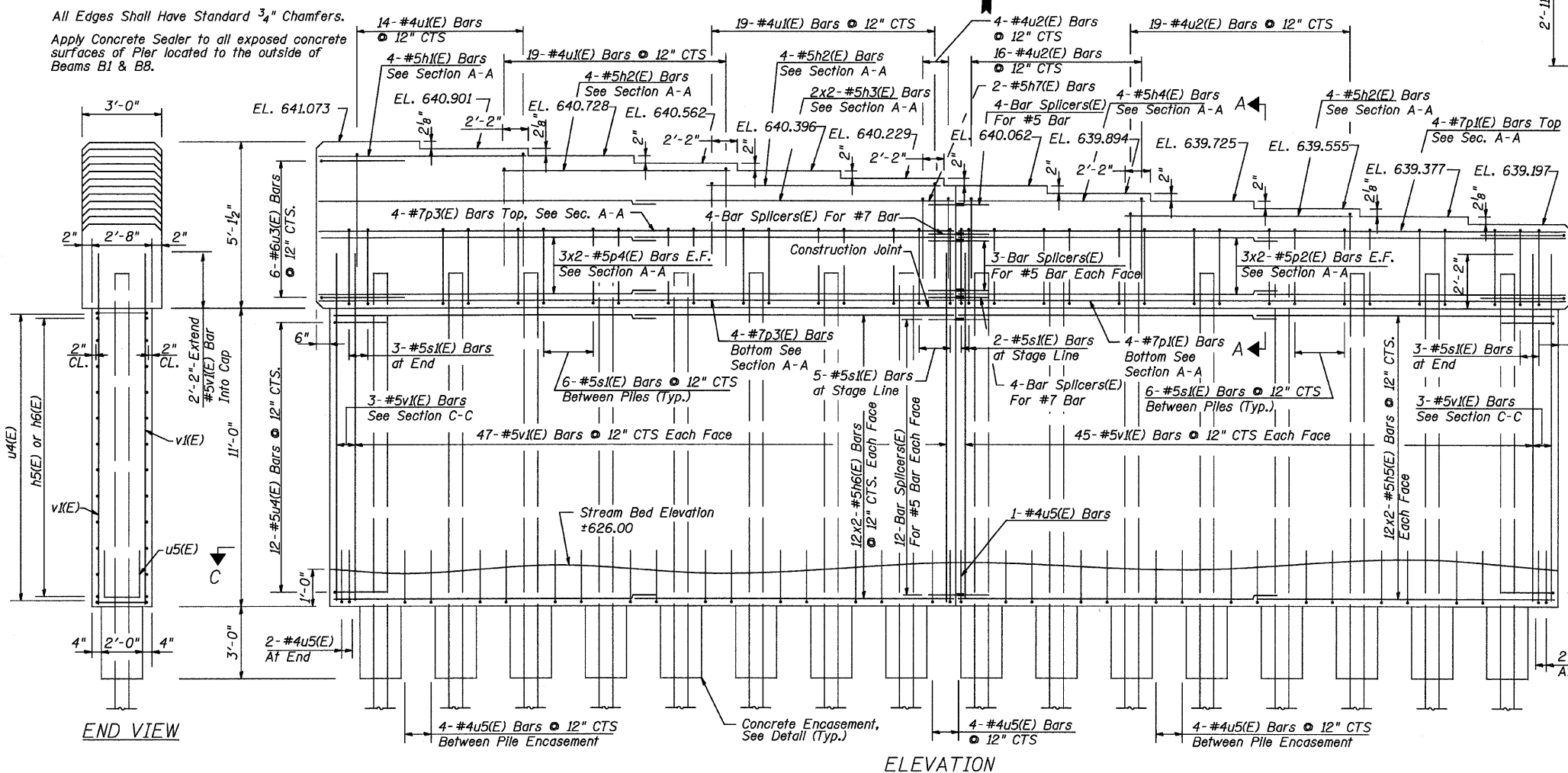


Notes:
Space Reinforcement in Cap to Miss Anchor Bolts.
Four steps Monolithically With Cap.
Bars Indicated Thus 4 x 2-#5 etc. Indicates 4 Lines of Bars With 2 Lengths Per Line
All Edges Shall Have Standard 3/4" Chamfers.
Apply Concrete Sealer to all exposed concrete surfaces of Pier located to the outside of Beams B1 & B8.



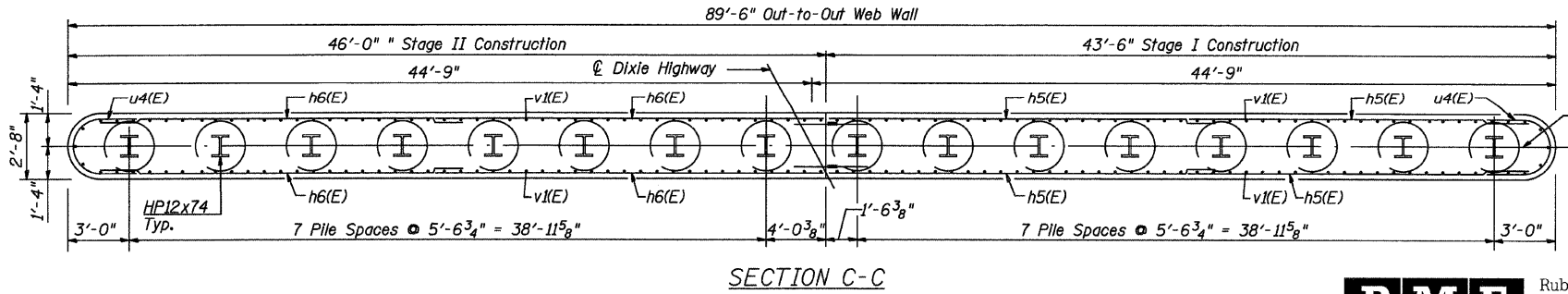
SOUTH PIER
BILL OF MATERIAL

Bar	No.	Size	Length	Shape
h1(E)	4	#5	12'-10"	—
h2(E)	12	#5	17'-9"	—
h3(E)	4	#5	23'-7"	—
h4(E)	4	#5	13'-10"	—
h5(E)	48	#5	22'-9"	—
h6(E)	48	#5	24'-0"	—
h7(E)	2	#5	4'-0"	—
p1(E)	8	#7	42'-5"	—
p2(E)	12	#5	22'-4"	—
p3(E)	8	#7	44'-11"	—
p4(E)	12	#5	23'-7"	—
s1(E)	97	#5	12'-1"	□
u1(E)	52	#4	8'-11"	—
u2(E)	39	#4	6'-11"	—
u3(E)	10	#6	10'-10"	—
u4(E)	24	#5	8'-0"	—
u5(E)	65	#4	5'-7"	—
v1(E)	190	#5	13'-2"	—
Reinforcement Bars, Epoxy Coated	Pound		9,720	
Concrete Structures	Cu. Yd.		140	
Bar Splicers	Each		42	
Furnishing Steel Piles HP12x74	Foot		680	
Driving Piles	Foot		680	
Test Pile Steel, HP12x74	Each		1	
Pile Shoes	Each		15	
Structure Excavation	Cu. Yd.		25	
Concrete Encasement	Cu. Yd.		5	
Concrete Sealer	Sq. Ft.		1,240	



PILE DATA

Type: HP12x74
Nominal Required Bearing: 589 Kips
Allowable Resistance Available: 196 Kips
Est. Total Length: 45'-0"
No. Required: 15 + 1 Test Pile
Negative Skin Friction: 30 Kips/Pile
Provide Pile Shoes for all Piles



REVISIONS	
NAME	DATE

SOUTH PIER
DIXIE HIGHWAY OVER BUTTERFIELD CREEK
F.A.U. ROUTE 2843 SECTION 3249B-F
STA. 78+55.00
COOK COUNTY
STRUCTURE NUMBER 016-7946 - PROPOSED
016-0775 - EXISTING
SCALE: NOT-TO-SCALE
DATE 4-27-09
DRAWN BY TH
DESIGNED BY TH
CHECKED BY MF



FOR INFORMATION ONLY

SHEET 16 OF 22.dgn 6/18/2009 05:36:54 AM