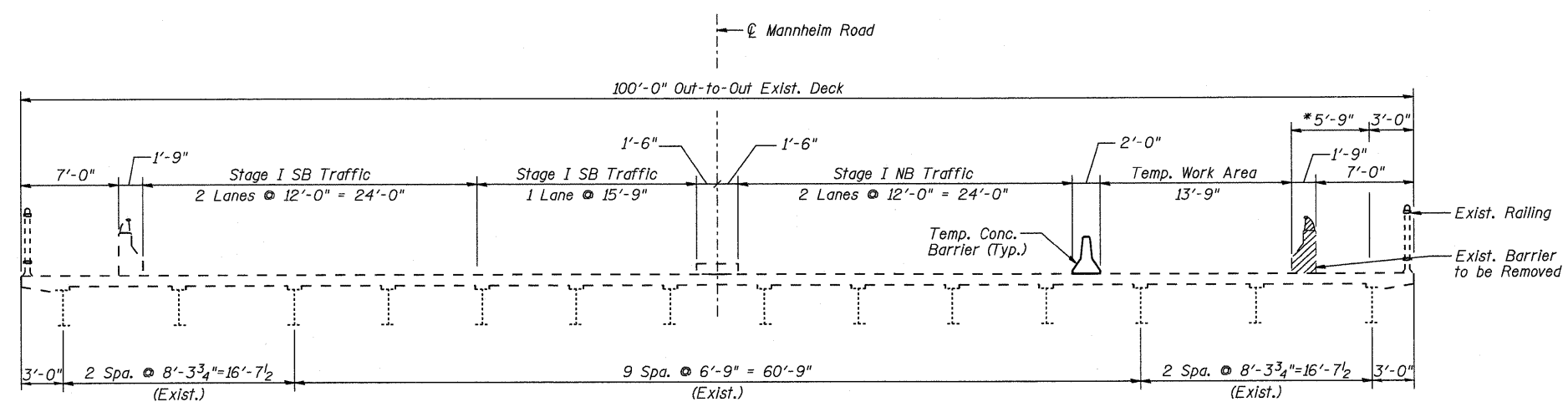
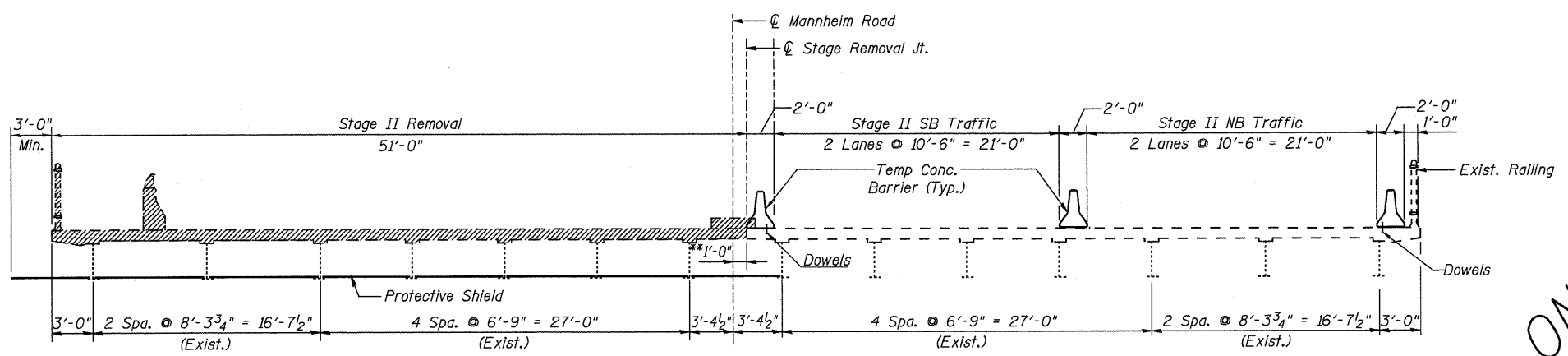


F.A.P.	SECTION	COUNTY	TOTAL SHEETS	SHEET NO.
330	465 (HB&VB) F	COOK	31	4
STA. 173+50 TO STA. 195+00		FED. ROAD DIST. NO. 7 ILLINOIS FED. AID PROJECT		
Contract # 60121			SHEET NO. S3 of S30	



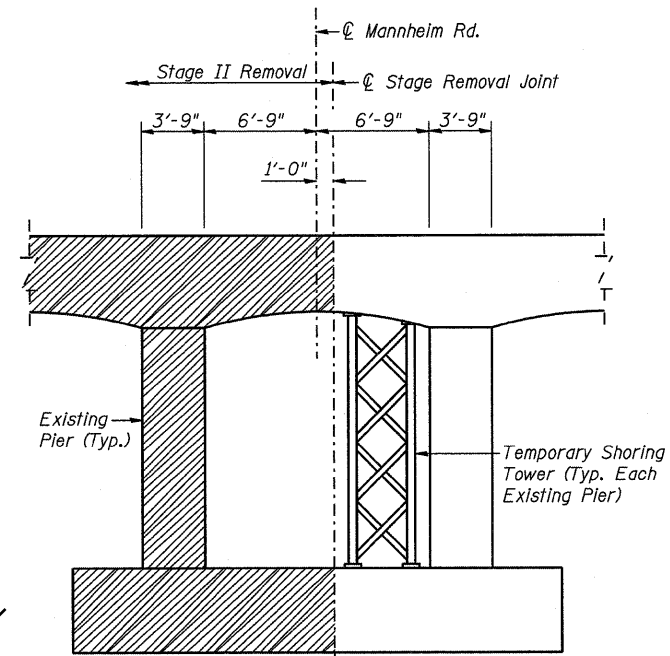
STAGE I BARRIER REMOVAL
(Looking Upstation)

*Pour 2" wearing surface over this width to match existing roadway elevation. See Roadway Plans.



STAGE II REMOVAL
(Looking Upstation)

**Remove additional 6" of existing median right of stage removal joint



STAGE II TEMPORARY SHORING DETAIL
(Looking Upstation)

- Notes:**
1. Work this sheet with Sheets S3-S5.
 2. See Sheet S1 for limits of Protective Shield.
 3. See Sheet S46 for Temp. Concrete Barrier.
 4. See Roadway plans for Temporary Concrete Barrier quantities.

FOR INFORMATION ONLY

EARTH TECH | AECOM

REVISIONS		ILLINOIS DEPARTMENT OF TRANSPORTATION CONSTRUCTION STAGING I
NAME	DATE	
		FAP 330 US 12/45 (MANNHEIM RD.) OVER SQO LINE RR & FRANKLIN AVE. STRUCTURE NO. 016-2815 SECTION 465 (HB & VB) F COOK COUNTY STA. 183+33.30 DRAWN BY JHR DATE 6/2009 CHECKED BY CLS