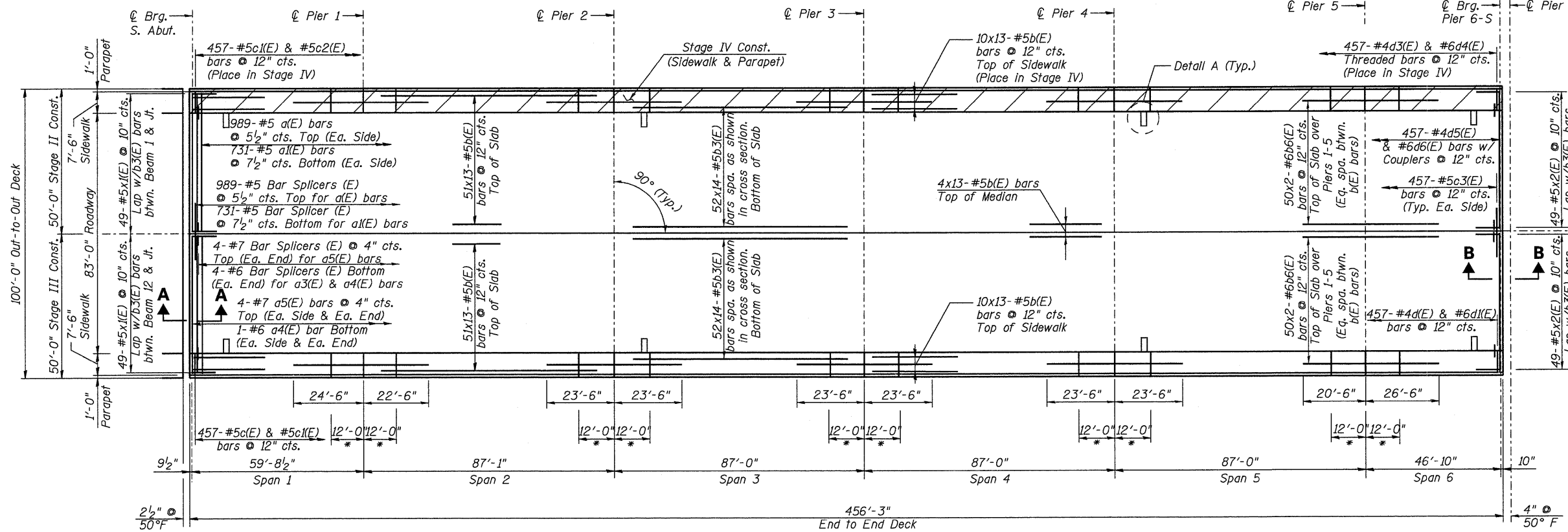


F.A.P.	SECTION	COUNTY	TOTAL SHEETS	SHEET NO.
330	465 (HB&VB) F	COOK	71	10
STA. 173+50 TO STA. 195+00		FED. ROAD DIST. NO. 7 ILLINOIS FED. AID PROJECT		
Contract # 60121		SHEET NO. S15 of S30		

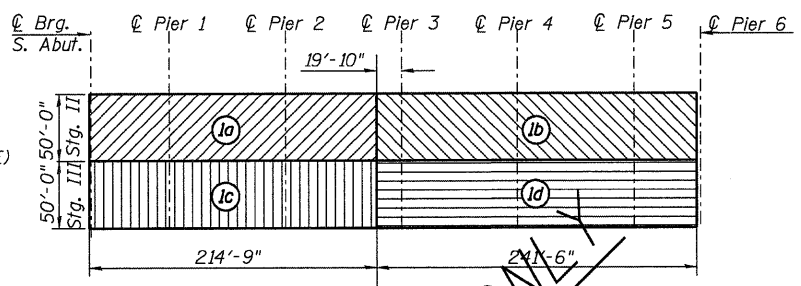


DECK PLAN (UNIT 1)
Median omitted for clarity

*1/4"x3/4" Formed sidewalk joint with concrete sealer (full width along joint-backer rod not required) (See Sheet S18 for cross section)

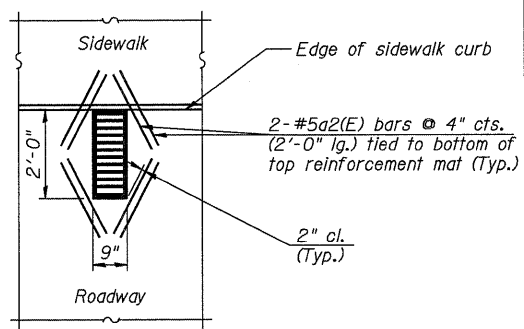
Notes:

1. Work this sheet with Sheets S15-S19.
2. See Sheets S15 & S16 for Sections A-A & B-B, respectively.
3. See Sheet S20 for bar splicer details.
4. See Sheet S21-S22 for expansion joint details.
5. See Sheet S23 for bridge fence railing details.
6. See Sheets S44-S45 for drainage scupper details.
7. Bars indicated thus 20x3-#5 etc. indicates 20 lines of bars with 3 lengths per line.
8. Cut longitudinal reinforcement to clear scuppers.
9. When the deck pour is stopped for the day at one or more of the transverse bonded construction joints in the deck pouring sequence as shown, the next pour shall not be made until both of the following are met:
 - a) At least 72 hours shall have elapsed from the end of the previous pour.
 - b) The concrete strength shall have attained a minimum flexural strength of 650 psi or a minimum compressive strength of 3500 psi.



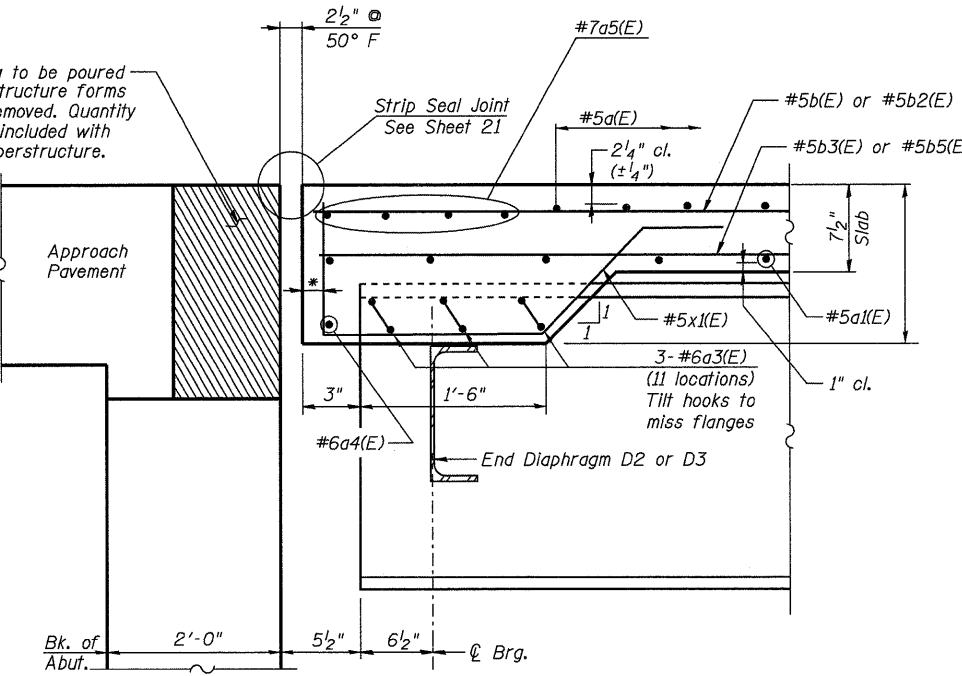
DECK POURING SEQUENCE (UNIT 1)

The deck shall be poured in the sequence as shown (see Note 9).



DETAIL A

Unit 1 (8 locations)
Unit 3 (8 locations)



SECTION A-A

Preformed Joint Strip Seal (Typ. Each Abut.)

Min. Bar Lap

- #5 = 2'-2"
- #6 = 2'-7"
- #7 = 3'-5"

REVISIONS	
NAME	DATE

ILLINOIS DEPARTMENT OF TRANSPORTATION
SUPERSTRUCTURE PLAN I
FAP 330 US 12/45 (MANNHEIM RD.) OVER
500 LINE RR & FRANKLIN AVE.
STRUCTURE NO. 016-2815
SECTION 465 (HB & VB) F COOK COUNTY
STA. 183+33.30 DRAWN BY JHR
DATE 6/2009 CHECKED BY CLS

EARTH TECH | AECOM

FOR INFORMATION ONLY