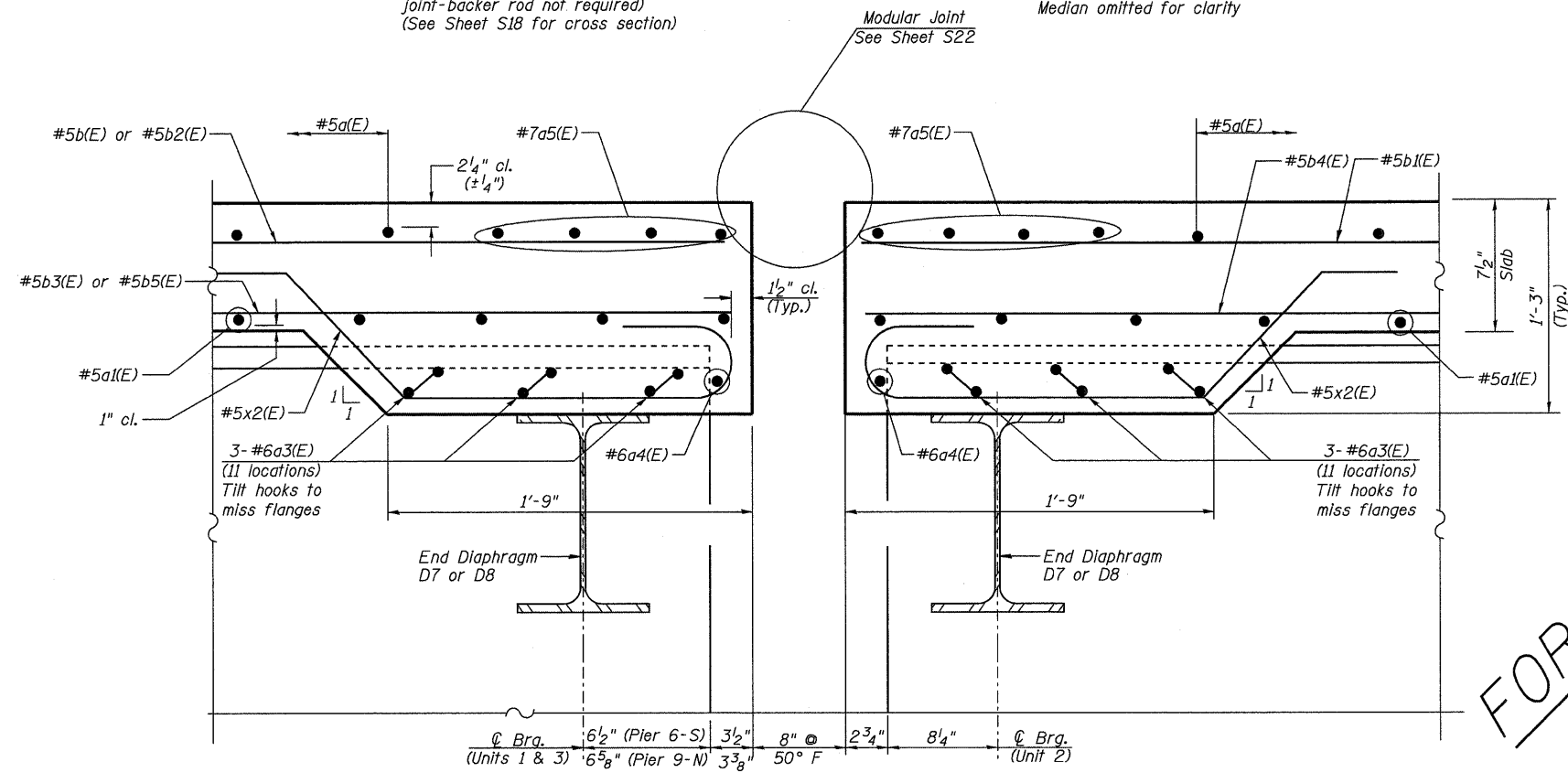
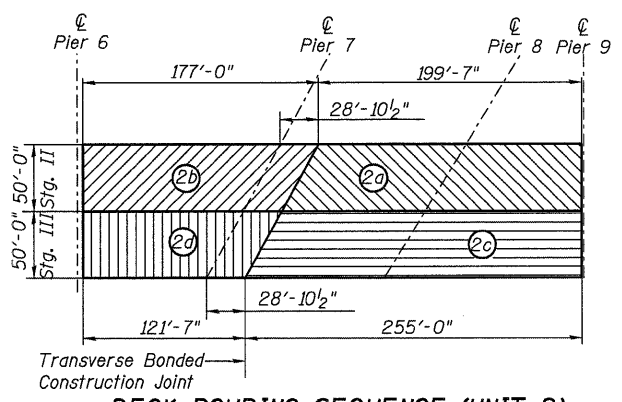
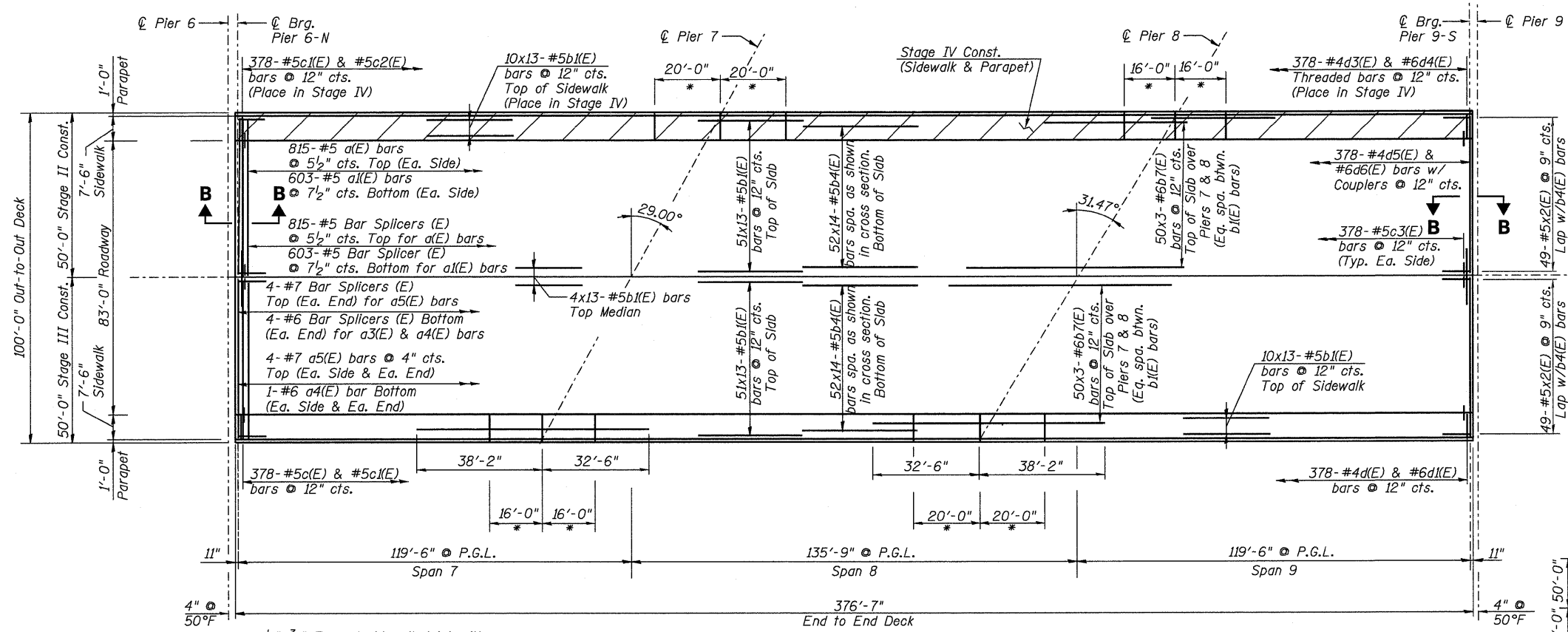


F.A.P.	SECTION	COUNTY	TOTAL SHEETS	SHEET NO.
330	465 (HB&VB) F	COOK	17	17
STA. 173+50 TO STA. 195+00		ILLINOIS FED. AID PROJECT		
FED. ROAD DIST. NO. 7		Contract # 60121 SHEET NO. S16 of S30		



FOR INFORMATION ONLY

Min. Bar Lap

#5	= 2'-2"
#6	= 2'-7"
#7	= 3'-5"

REVISIONS	
NAME	DATE

ILLINOIS DEPARTMENT OF TRANSPORTATION
SUPERSTRUCTURE PLAN II
 FAP 330 US 12/45 (MANNHEIM RD.) OVER
 500 LINE RR & FRANKLIN AVE.
 STRUCTURE NO. 016-2815
 SECTION 465 (HB & VB) F COOK COUNTY
 STA. 183+33.30 DRAWN BY JHR
 DATE 6/2009 CHECKED BY CLS

EARTH TECH | AECOM