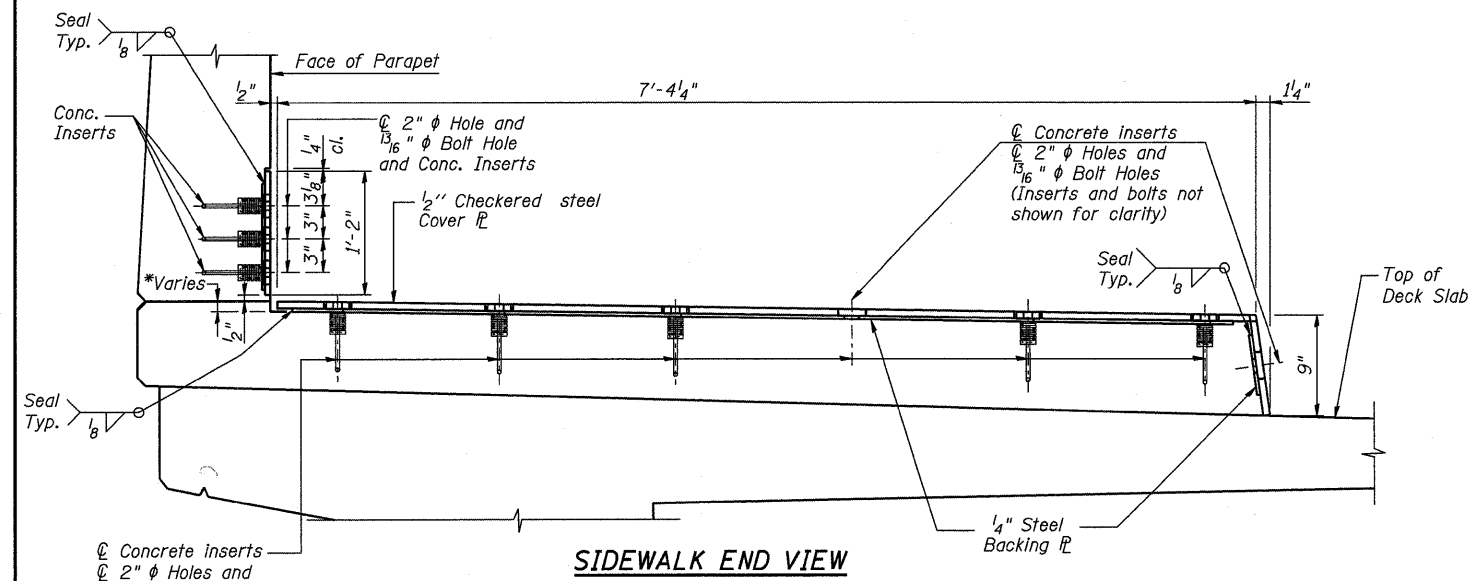
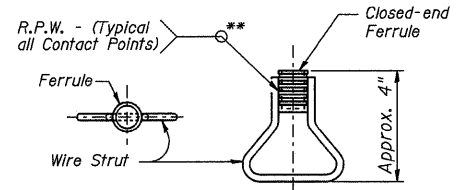


F.A.P.	SECTION	COUNTY	TOTAL SHEETS	SHEET NO.
330	465 (HB&VB) F	COOK	31	23
STA. 173+50		TO STA. 195+00		
FED. ROAD DIST. NO. 7		ILLINOIS		FED. AID PROJECT

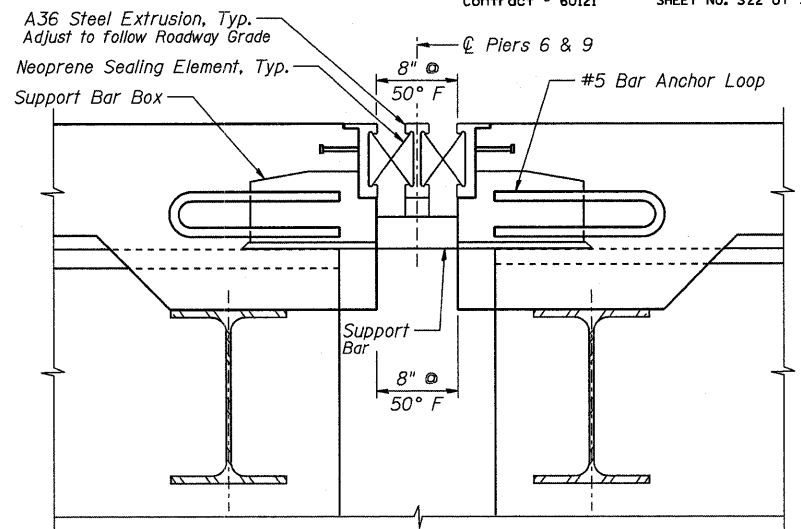
Contract # 60121 SHEET NO. S22 of 530



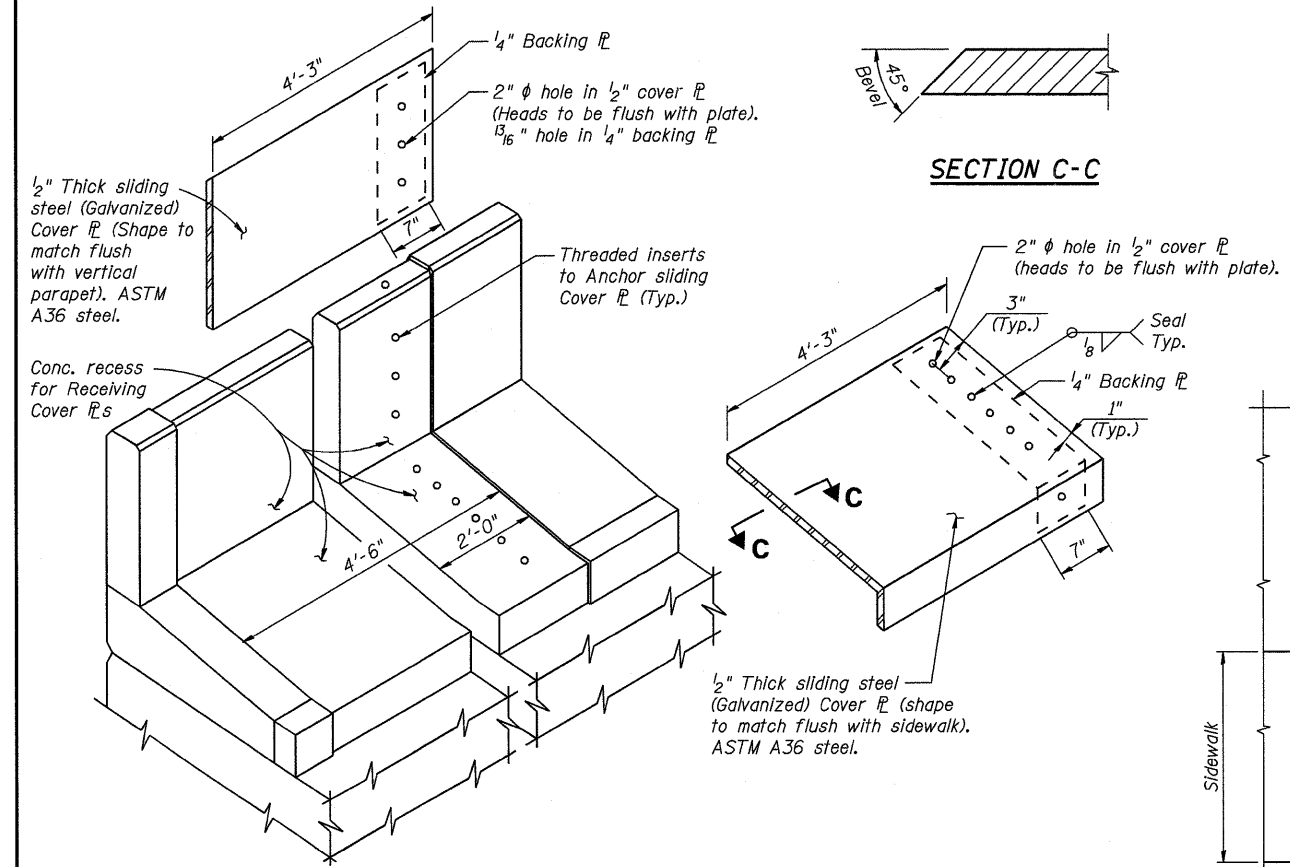
**\* Concrete recess dimensions:**  
 1 1/8" for the side of the joint having the 1/2" cover plate with a 1/4" backing plate.  
 9/16" for the side of the joint having only the 1/2" cover plate.



**PLAN ELEVATION  
CONCRETE INSERT**

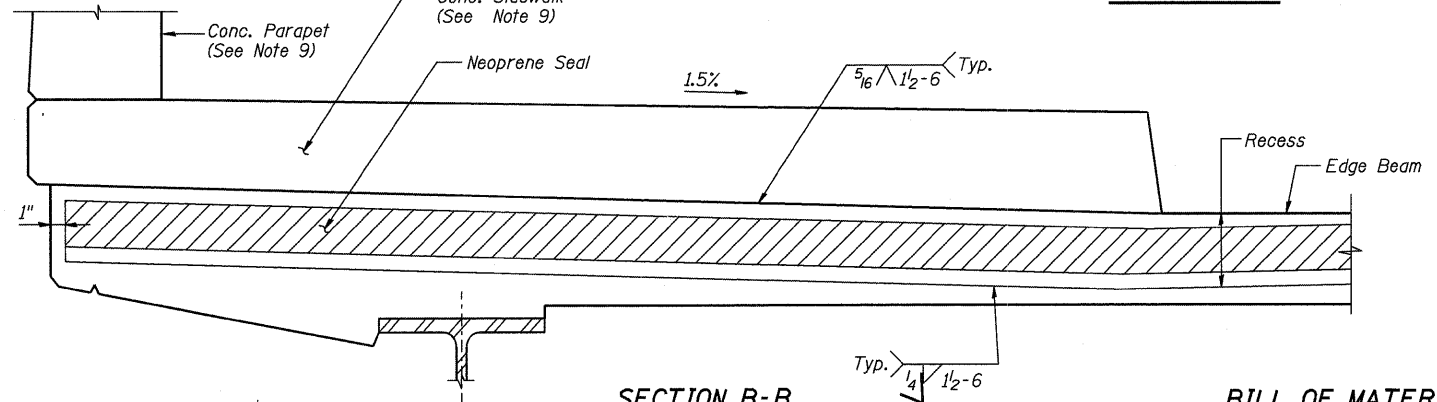


**SECTION A-A**

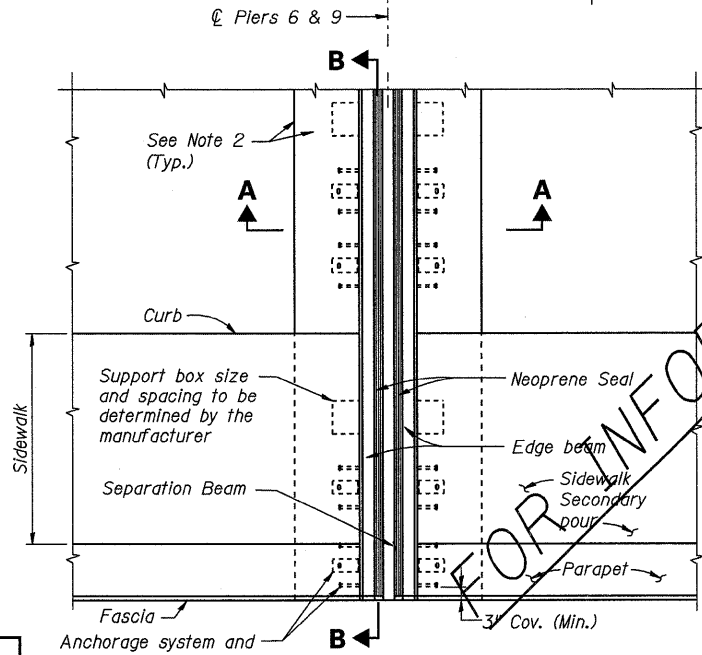


**COVER PLATE DETAIL FOR VERTICAL PARAPET WITH SIDEWALK**

	Total Movement along Mannheim
Pier 6	4 5/16"
Pier 9	5 3/8"



**SECTION B-B**



**PARTIAL PLAN**

(Sidewalk cover plate not shown for clarity)

**BILL OF MATERIAL**

Item	Unit	Total
Modular Expansion Joint 6"	Foot	199

**Notes:**

1. Thoroughly coat the bottom and vertical surfaces of the recess with epoxy polysulfide grout or portland cement bonding grout. The cost of furnishing and placing the material shall be included in the unit price bid for Concrete Superstructure.
2. Actual modular joint supplied may vary from the one shown here. It is the contractor's responsibility to adjust the blockout dimensions to accommodate the actual modular joint supplied in the field.
3. End of seal to be capped with neoprene sponge.
4. The 3/4" Hex Head bolts shall conform to ASTM F593 Alloy 304 stainless steel.
5. The 3/4" concrete inserts shall be closed-end ferrules with looped wire struts attached to them. The inserts shall conform to AASHTO M169, Grade 12L14 and shall have a proof load of 6,600 lbs. tension.
6. Cost of cover PL, concrete inserts, and all associated work shall be included in the cost of Modular Expansion Joint.
7. See Modular Joint Special Provision for more information.
8. Modular expansion joints shall be assembled in their final relative position with the ends in place for shop inspection and acceptance.
9. The area above the modular expansion joints must be blocked out prior to pouring concrete for the sidewalks or parapets.

FOR INFORMATION ONLY

**EARTH TECH | AECOM**

REVISIONS	
NAME	DATE

ILLINOIS DEPARTMENT OF TRANSPORTATION  
**MODULAR EXPANSION JOINT**  
 FAP 330 US 12/45 (MANNHEIM RD.) OVER  
 500 LINE RR & FRANKLIN AVE.  
 STRUCTURE NO. 016-2815  
 SECTION 465 (HB & VB) F COOK COUNTY  
 STA. 183+33.30 DRAWN BY JHR  
 DATE 6/2009 CHECKED BY CLS