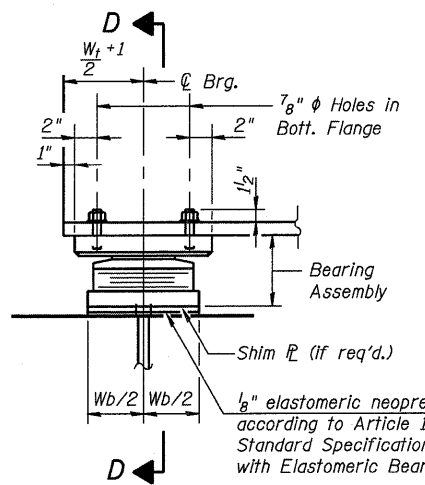
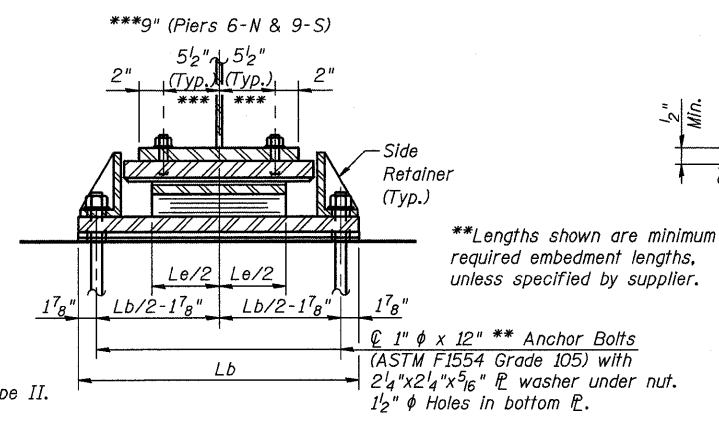


F.A.P.	SECTION	COUNTY	TOTAL SHEETS	SHEET NO.
330	465 (HB&VB) F	COOK	31	31
STA. 173+50 TO STA. 195+00		FED. ROAD DIST. NO. 7 ILLINOIS FED. AID PROJECT		
Contract # 60121		SHEET NO. S 30 of S30		

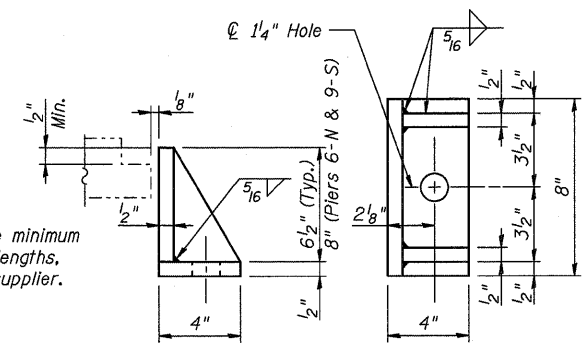
Notes:
 Anchor bolts shall be ASTM F1554 all-thread (or an Engineer-approved alternate material) of the grade(s) and diameter(s) specified. ASTM A307 Grade C anchor bolts may be used in lieu of ASTM F1554 Grade 36 (Fy=36ksi). The corresponding specified grade of AASHTO M314 anchor bolts may be used in lieu of ASTM F1554.
 Anchor bolts for Type II bearings shall be placed in holes drilled through the bottom bearing plate after members are in place. Side retainers shall be placed after bolts are installed.
 Drilled and set anchor bolts shall be installed according to Article 521.06 of the Standard Specifications.
 Side retainers and other steel members required for the bearing assembly shall be included in the cost of Elastomeric Bearing Assembly, Type II.
 The 1/8" PTFE sheet shall be bonded directly to the top steel plate with a two-component, medium viscosity epoxy resin, conforming to the requirements of the Federal Specification MMM-A-134, Type I. The bond agent shall be applied on the full area of the contact surfaces.
 Bonding of 1/8" PTFE sheet during vulcanizing process will be permitted provided the process and method of adjusting assembly height is approved by the Engineer.
 The structural steel plates of the Bearing Assembly shall conform to the requirements of AASHTO M 270 Grade 50.
 Two 1/8" in. adjusting shims shall be provided for each bearing in addition to all other plates or shims and placed as shown on bearing details.
 All bearing plates, side retainers, anchor bolts, nuts, washers and pintles shall be galvanized according to AASHTO M111 or M232 (as applicable).
 H.S. bolts in bearing assembly shall be galvanized according to AASHTO M298 Class 50.



ELEVATION



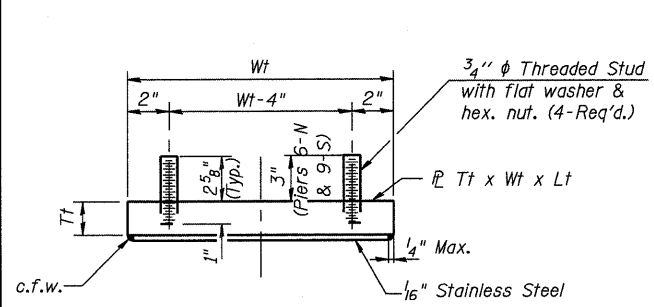
SECTION D-D



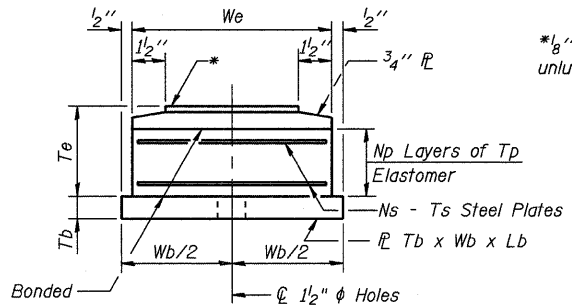
SIDE RETAINER A

Equivalent rolled angle with stiffeners will be allowed in lieu of welded plates.

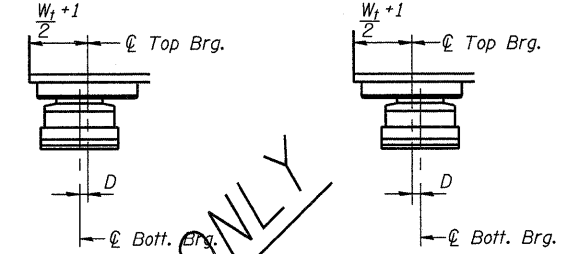
TYPE II ELASTOMERIC EXP. BRGS. AT N. & S. ABUTS. AND PIERS 6-S, 6-N, 9-S, & 9-N



TOP BEARING ASSEMBLY

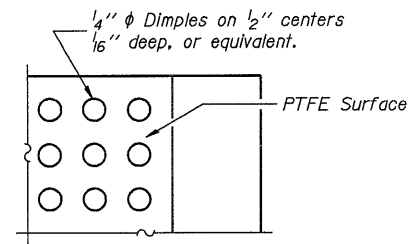


BOTTOM BEARING ASSEMBLY

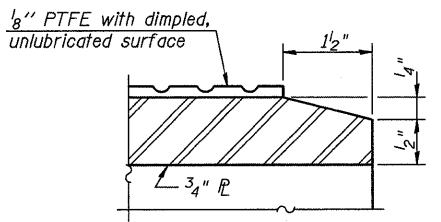


SETTING ANCHOR BOLTS AT EXP. BRG.

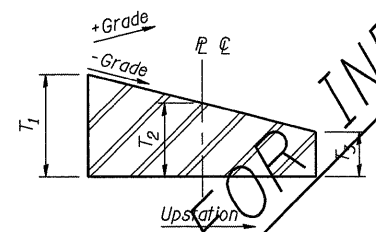
D=1/4" per each 100' of expansion for every 15° temp. change from the normal temp. of 50° F.



PLAN-PTFE SURFACE



SECTION THRU PTFE



BEVELED TOP PLATE DETAIL

BEVELED TOP PLATE DIMENSIONS

Location	Grade	T1	T2	T3
S. Abut.	3.88%	1 5/8"	1 15/16"	2"
Pier 6-S	2.01%	1 1/2"	1 5/8"	1 3/4"
Pier 6-N (Girder 1-6)	2.01%	1 7/8"	2"	2 1/8"
Pier 6-N (Girder 7-12)	2.01%	1 5/8"	1 3/4"	1 7/8"
Pier 9-S (Girder 1-6)	-1.89%	1 7/8"	1 3/4"	1 5/8"
Pier 9-S (Girder 7-12)	-1.89%	2 1/8"	2"	1 7/8"
Pier 9-N	-1.89%	2 1/8"	2"	1 7/8"
N. Abut.	-3.98%	2"	1 5/8"	1 5/8"

BILL OF MATERIAL

Item	Unit	Total
Elastomeric Bearing Assembly Type II	Each	72
Anchor Bolts 1"	Each	144

TYPE II BEARING DIMENSIONS

Location	We	Le	Tp	Np	Ts	Ns	Te	Tt	Wt	Lt	Tb	Wb	Lb
N. & S. Abuts. & Pier 6-S	9"	12"	3/8"	8	3 3/16"	7	4 9/16"	Varies	11"	15"	1"	10"	23 1/4"
Pier 9-N	10"	14"	1/2"	5	3 9/16"	4	3 3/8"	Varies	11 1/4"	16"	1"	11"	24 1/2"
Pier 6-N (Girders 7-12), Pier 9-S (Girders 1-6)	11"	16"	5/8"	7	3 1/2"	6	5 1/8"	Varies	13 1/4"	22"	1 3/8"	13"	30 1/4"
Pier 6-N (Girders 1-6), Pier 9-S (Girders 7-12)	12"	18"	3/4"	7	3 1/2"	6	5 1/8"	Varies	14 1/2"	22"	1 3/8"	13"	30 1/4"

EARTH TECH | AECOM

REVISIONS	
NAME	DATE

ILLINOIS DEPARTMENT OF TRANSPORTATION
BEARING DETAILS II
 FAP 330 US 12/45 (MANNHEIM RD.) OVER
 SOO LINE RR & FRANKLIN AVE.
 STRUCTURE NO. 016-2815
 SECTION 465 (HB & VB) F COOK COUNTY
 STA. 183+33.30 DRAWN BY JHR
 DATE 6/2009 CHECKED BY CLS