

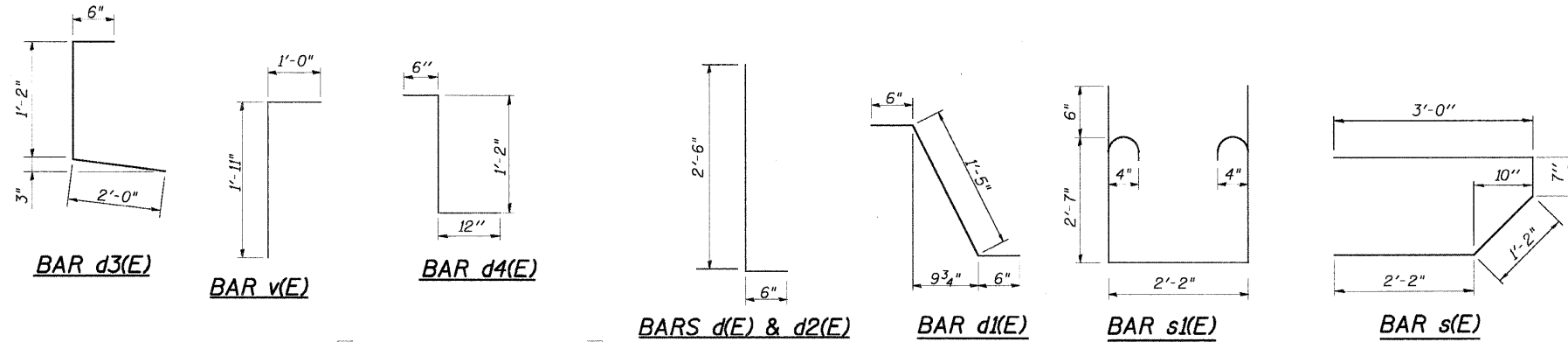
STATE OF ILLINOIS
DEPARTMENT OF TRANSPORTATION

F.A.R.T.E.	SECTION	COUNTY	TOTAL SHEETS	SHEET NO.
2843	3249B-R	COOK	64	34

FED. ROAD DIST. NO. ILLINOIS FED. AID PROJECT
Sheet 10 of 22 Contract No. 62539

**SUPERSTRUCTURE
BILL OF MATERIAL**

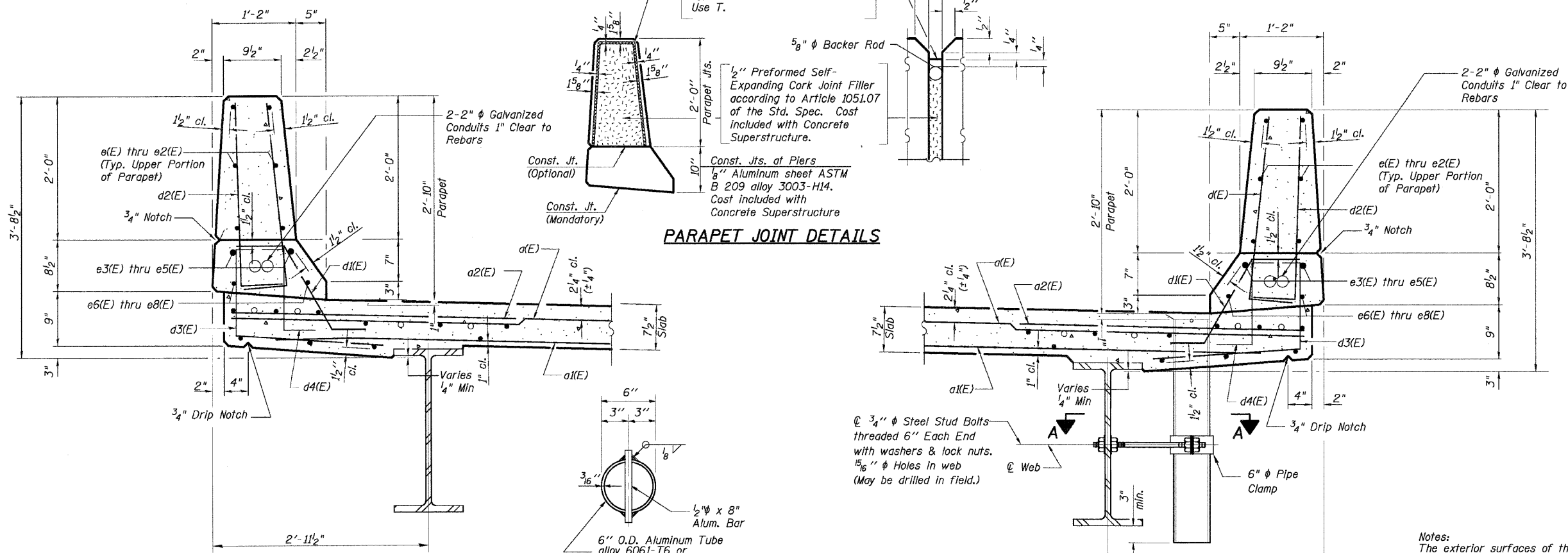
Bar	No.	Size	Length	Shape
a(E)	664	#5	26'-2"	—
a1(E)	444	#5	25'-10"	—
a2(E)	332	#6	4'-6"	—
a3(E)	8	#6	29'-4"	—
b(E)	348	#5	29'-5"	—
b1(E)	112	#6	34'-9"	—
b2(E)	350	#5	25'-6"	—
d(E)	364	#5	3'-0"	—
d1(E)	358	#5	2'-5"	—
d2(E)	364	#4	3'-0"	—
d3(E)	364	#4	3'-8"	—
d4(E)	12	#5	2'-8"	—
e(E)	72	#4	14'-9"	—
e1(E)	48	#4	7'-5"	—
e2(E)	36	#4	14'-7"	—
e3(E)	16	#8	24'-10"	—
e4(E)	16	#8	7'-4"	—
e5(E)	8	#8	24'-7"	—
e6(E)	16	#5	23'-8"	—
e7(E)	16	#5	7'-4"	—
e8(E)	8	#5	23'-5"	—
m(E)	8	#6	29'-0"	—
m1(E)	12	#6	29'-10"	—
m2(E)	32	#6	9'-8"	—
m3(E)	12	#6	7'-4"	—
m4(E)	4	#6	3'-1"	—
m5(E)	4	#6	3'-7"	—
m6(E)	12	#6	16'-1"	—
m7(E)	20	#6	18'-10"	—
s(E)	124	#5	6'-11"	—
s1(E)	112	#4	8'-4"	—
v(E)	108	#6	2'-11"	—
Reinforcement Bars, Epoxy Coated		Pound	70800	
Concrete Superstructure		Cu Yd	300	
Bar Splicers		Each	690	



Non-staining gray one component non-sag elastomeric gun grade polyurethane sealant meeting the requirements of ASTM C-920, Type S, Grade NS, Class 25, Use T.

1/2" Preformed Self-Expanding Cork Joint Filler according to Article 1051.07 of the Std. Spec. Cost included with Concrete Superstructure.

PARAPET JOINT DETAILS



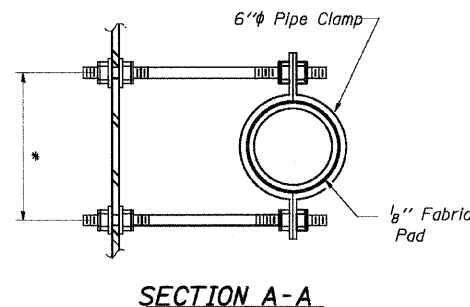
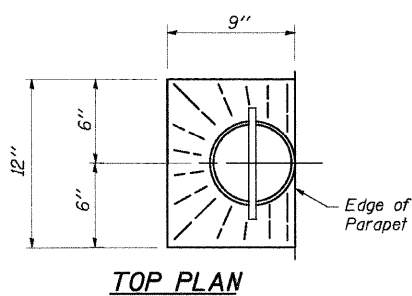
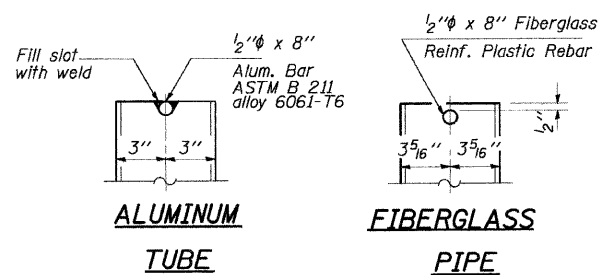
SECTION THRU WEST PARAPET

TOP PLAN

(Showing Aluminum Tube)

SECTION THRU EAST PARAPET

Notes:
The exterior surfaces of the floor drains shall be painted with the finish coat as specified in the special provisions for Cleaning and Painting New Metal Structures. The exterior surfaces of the drains shall be cleaned according to Steel Structures Painting Council's Spec. SSPC-SP1 prior to painting. Fiberglass pipe shall conform to ASTM D 2996, with short-time rupture strength hoop tensile stress of 30,000 p.s.i. minimum.



* Dimension as required by Pipe Clamp

REVISIONS	
NAME	DATE

**DECK DETAILS &
BILL OF MATERIAL**

DIXIE HIGHWAY OVER
BUTTERFIELD CREEK
F.A.U. ROUTE 2843 SECTION 3249B-R
STA. 78+55.00
COOK COUNTY
STRUCTURE NUMBER 016-7946

SCALE: NOT-TO-SCALE
DATE 6-25-09

DRAWN BY BV
DESIGNED BY BS
CHECKED BY PK

RME Rubinos & Mesia Engineers, Inc.