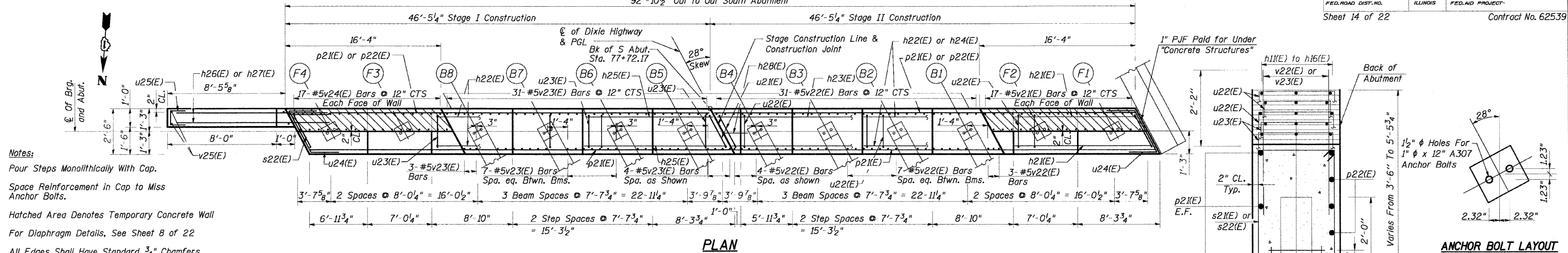


STATE OF ILLINOIS
DEPARTMENT OF TRANSPORTATION

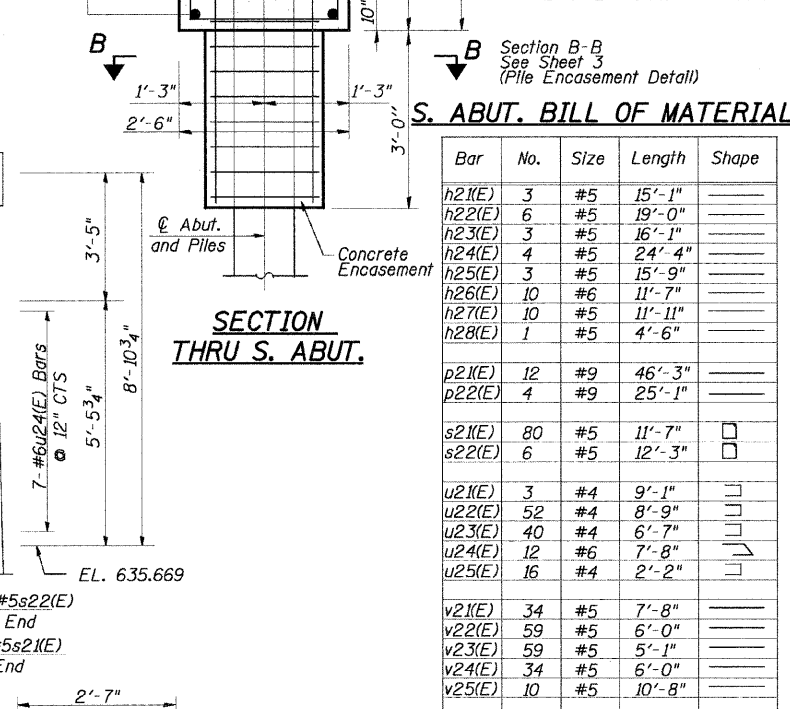
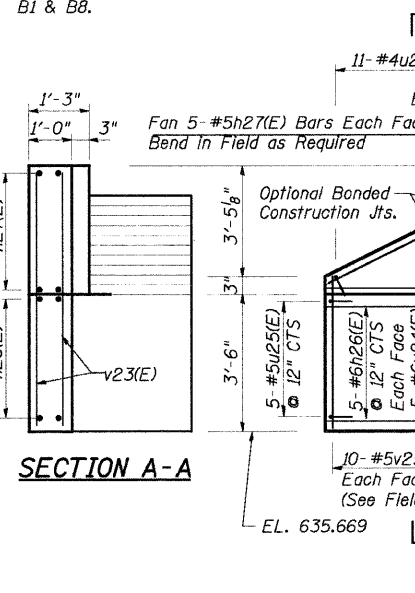
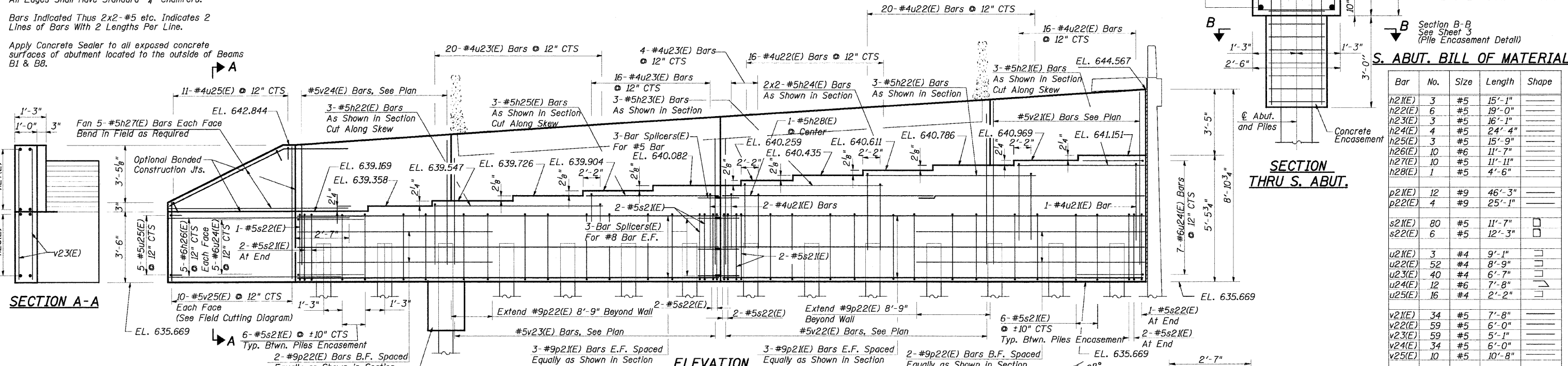
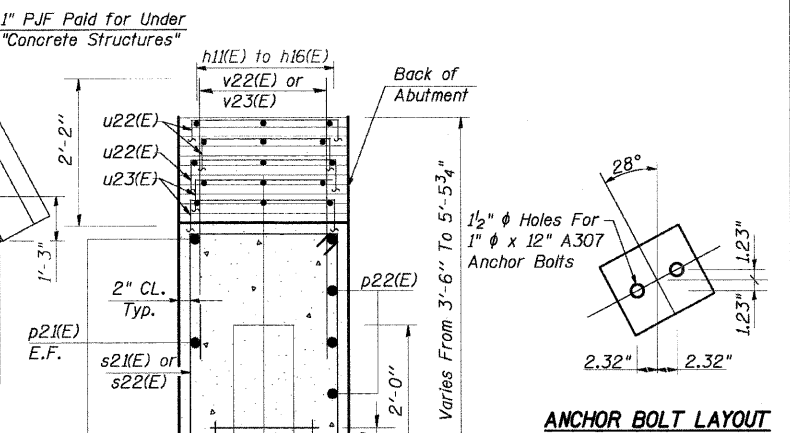
92'-10 1/2" Out to Out South Abutment

F.A.R.T.E.	SECTION	COUNTY	TOTAL SHEETS	SHEET NO.
2843	3249B-R	COOK	64	38

FED. ROAD DIST. NO. ILLINOIS FED. AID PROJECT-
Sheet 14 of 22 Contract No. 62539



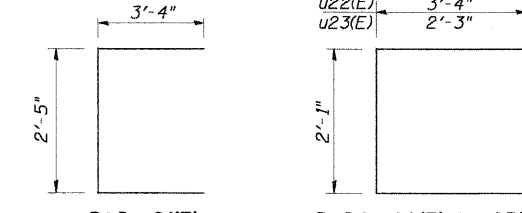
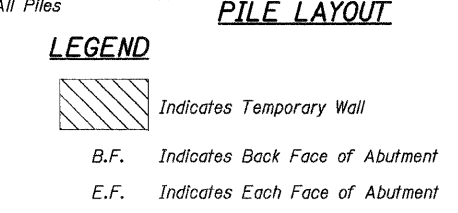
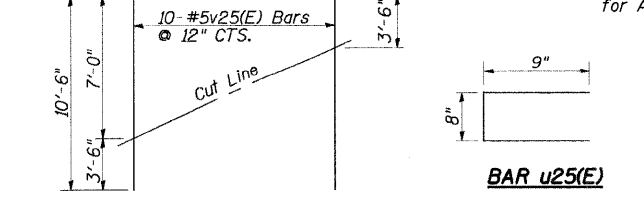
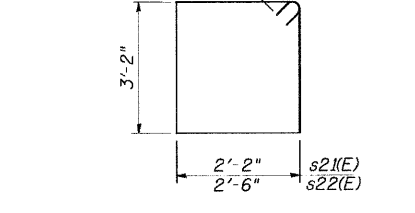
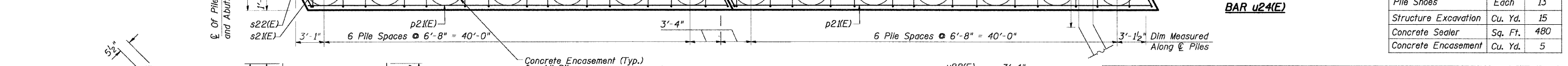
Notes:
Pour Steps Monolithically With Cap.
Space Reinforcement in Cap to Miss Anchor Bolts.
Hatched Area Denotes Temporary Concrete Wall
For Diaphragm Details, See Sheet 8 of 22
All Edges Shall Have Standard 3/4" Chamfers.
Bars Indicated Thus 2x2-#5 etc. Indicates 2 Lines of Bars With 2 Lengths Per Line.
Apply Concrete Sealer to all exposed concrete surfaces of abutment located to the outside of Beams B1 & B8.



S. ABUT. BILL OF MATERIAL

Bar No.	Size	Length	Shape
h21(E)	3	#5 15'-1"	
h22(E)	6	#5 19'-0"	
h23(E)	3	#5 16'-1"	
h24(E)	4	#5 24'-4"	
h25(E)	3	#5 15'-9"	
h26(E)	10	#6 11'-7"	
h27(E)	10	#5 11'-11"	
h28(E)	1	#5 4'-6"	
p21(E)	12	#9 46'-3"	
p22(E)	4	#9 25'-1"	
s21(E)	80	#5 11'-7"	
s22(E)	6	#5 12'-3"	
u21(E)	3	#4 9'-1"	
u22(E)	52	#4 8'-9"	
u23(E)	40	#4 6'-7"	
u24(E)	12	#6 7'-8"	
u25(E)	16	#4 2'-2"	
v21(E)	34	#5 7'-8"	
v22(E)	59	#5 6'-0"	
v23(E)	59	#5 5'-1"	
v24(E)	34	#5 6'-0"	
v25(E)	10	#5 10'-8"	

PILE DATA
Type: HP12x74
Nominal Required Bearing: 589 Kips
Allowable Resistance Available: 196 Kips
Est. Total Length: 45'-0"
No. Required: 13 + 1 Test Pile
Negative Skin Friction: 30 Kips/Pile
Provide Pile Shoes for all Piles



REVISIONS	
NAME	DATE

SOUTH ABUTMENT
DIXIE HIGHWAY OVER
BUTTERFIELD CREEK
F.A.U. ROUTE 2843 SECTION 3249B-R
STA. 78+55.00
COOK COUNTY
STRUCTURE NUMBER 016-7946

SCALE: NOT-TO-SCALE
DATE 6-25-09
DRAWN BY BV
DESIGNED BY BS
CHECKED BY PK

