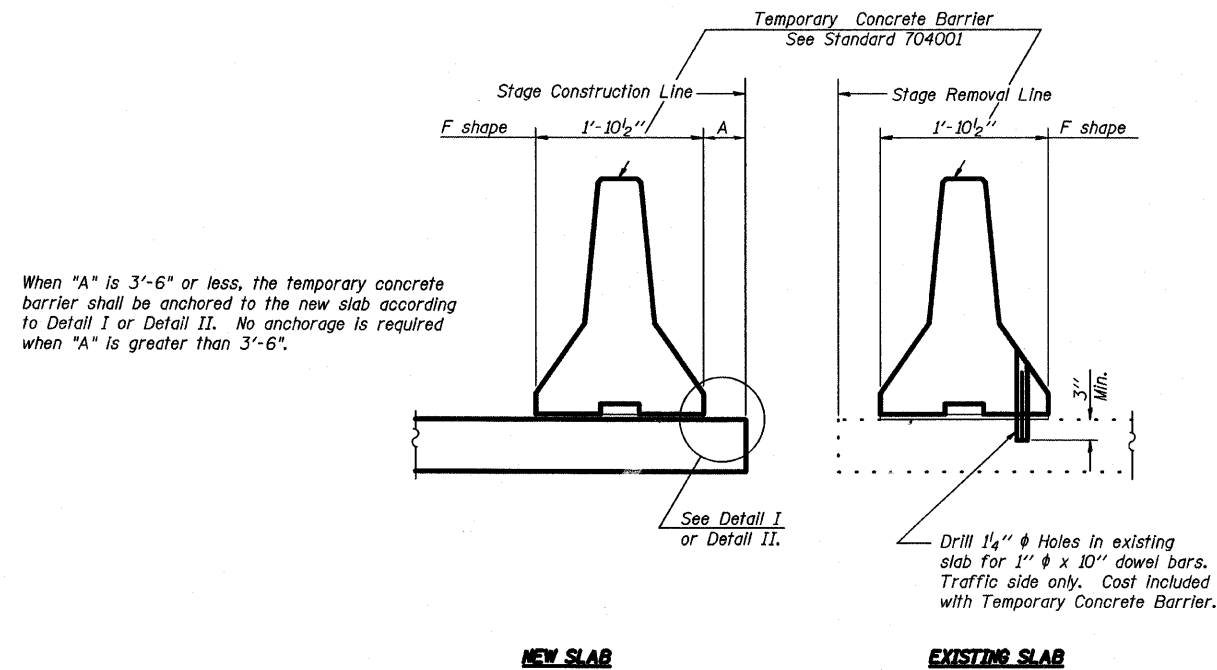


STATE OF ILLINOIS
DEPARTMENT OF TRANSPORTATION

F.A.R.T.E.	SECTION	COUNTY	TOTAL SHEETS	SHEET NO.
2843	3249B-R	COOK	64	44
FED. ROAD DIST. NO.	ILLINOIS	FED. AID PROJECT		
Sheet 20 of 22			Contract No. 62539	



When "A" is 3'-6" or less, the temporary concrete barrier shall be anchored to the new slab according to Detail I or Detail II. No anchorage is required when "A" is greater than 3'-6".

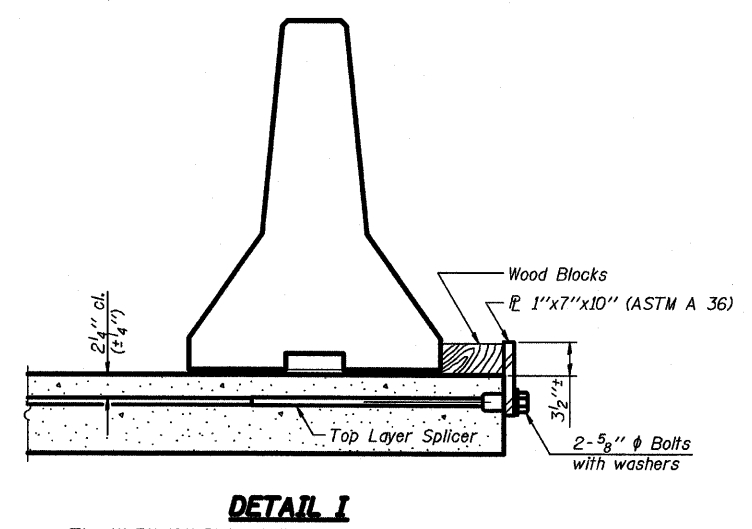
NOTES

Detail I - With Bar Splicer or Couplers:
Connect one (1) 1"x7"x10" steel \bar{L} to the top layer of couplers with 2-5/8" ϕ bolts screwed to coupler at approximate \bar{C} of each barrier panel.

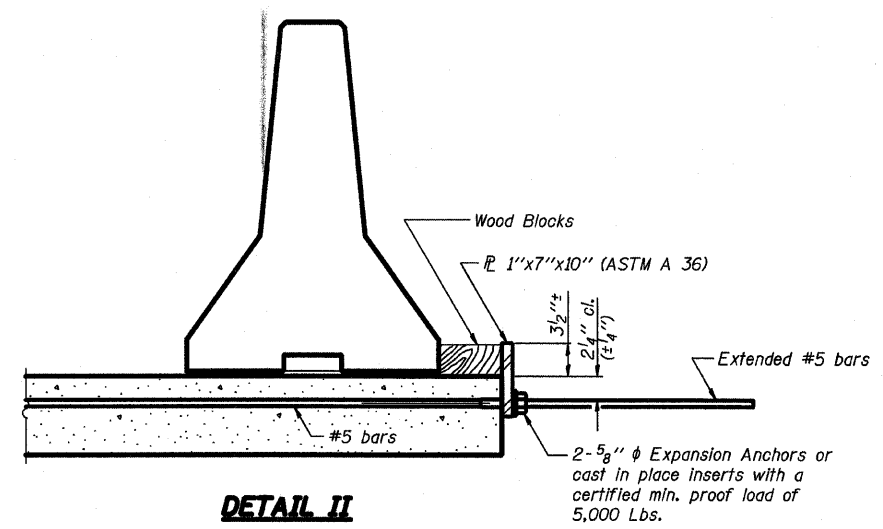
Detail II - With Extended Reinforcement Bars:
Connect one (1) 1"x7"x10" steel \bar{L} to the concrete slab with 2-5/8" ϕ Expansion Anchors or cast in place inserts spaced between the top layer of reinforcement at approximate \bar{C} of each barrier panel.

Cost of anchorage is included with Temporary Concrete Barrier.

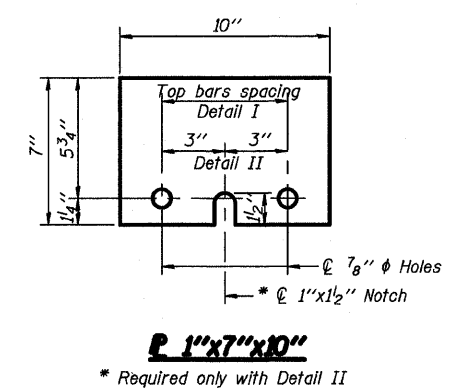
SECTIONS THRU SLAB



DETAIL I
The 1"x7"x10" Plate shall not be removed until Stage II Construction forms and reinforcement bars are in place.



DETAIL II
The 1"x7"x10" Plate shall not be removed until Stage II Construction forms and all reinforcement bars are in place and the concrete is ready to be placed.



* Required only with Detail II

REVISIONS	
NAME	DATE

TEMPORARY CONCRETE BARRIER FOR STAGE CONSTRUCTION

DIXIE HIGHWAY OVER BUTTERFIELD CREEK
F.A.U. ROUTE 2843 SECTION 3249B-R
STA. 78+55.00
COOK COUNTY
STRUCTURE NUMBER 016-7946

SCALE: NOT-TO-SCALE
DATE 6-30-09

DRAWN BY BV
DESIGNED BY BS
CHECKED BY PK

RME Rubinos & Mesia Engineers, Inc.

\$PENTELS\$
 \$PLTDVNS\$
 \$FILES\$
 \$DATES\$
 \$TIMES\$