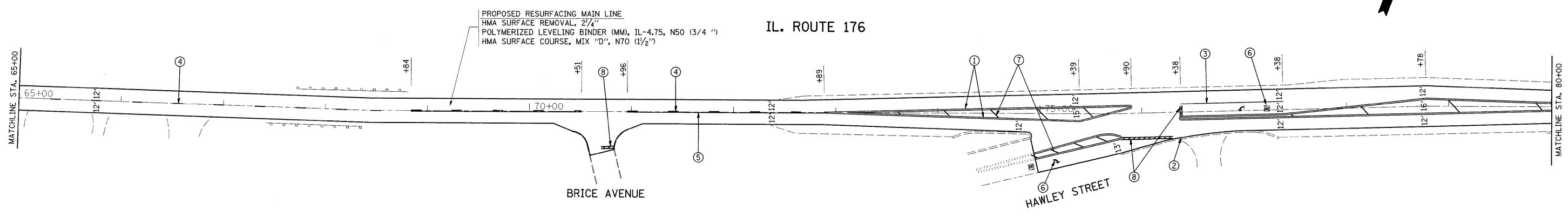


- LEGEND**
- ① THERMOPLASTIC PAVEMENT MARKING CENTERLINE, 4" SOLID YELLOW (DOUBLE), 11" C-C
 - ② THERMOPLASTIC PAVEMENT MARKING EDGE LINE, 4" SOLID WHITE
 - ③ THERMOPLASTIC PAVEMENT MARKING LANE LINE, 6" WHITE
 - ④ THERMOPLASTIC PAVEMENT MARKING SKIP DASH LINE, 4" YELLOW, 10'-30'
 - ⑤ THERMOPLASTIC PAVEMENT MARKING CENTERLINE (NO PASS ZONE), 4" SOLID YELLOW
 - ⑥ THERMOPLASTIC PAVEMENT MARKING LEFT TURN ONLY LETTERS AND SYMBOLS, 8' WHITE
 - ⑦ THERMOPLASTIC PAVEMENT MARKING 12" SOLID YELLOW (RT. 45° DIAGONALS @ 20' C-C)
 - ⑧ THERMOPLASTIC PAVEMENT MARKING STOP BAR, 24" SOLID WHITE
 - ⑨ THERMOPLASTIC PAVEMENT MARKING 12" WHITE (SCHOOL)
 - ⑩ THERMOPLASTIC PAVEMENT MARKING 8" WHITE ISLAND OUTLINES
 - ⑪ THERMOPLASTIC PAVEMENT MARKING 6" WHITE CROSSWALK



FILE NAME =	USER NAME = bauer.d	DESIGNED -	REVISED -
es\pwwork\pwwid\BAUERDL\d0143145\010224-sht-plan.dgn		DRAWN -	REVISED -
	PLOT SCALE = 50,0000 ' / IN.	CHECKED -	REVISED -
	PLOT DATE = 6/26/2009	DATE -	REVISED -

**STATE OF ILLINOIS
DEPARTMENT OF TRANSPORTATION**

**ROADWAY AND PAVEMENT MARKING PLAN
IL. ROUTE 176 (MIDLOTHIAN RD TO IL. RTE. 21)**

SCALE: 1"=50' SHEET NO. OF SHEETS STA. 50+00 TO STA. 80+00

F.A.U. RTE.	SECTION	COUNTY	TOTAL SHEETS	SHEET NO.
1238	(0, 144 & 144x) RS-4	LAKE	25	8
CONTRACT NO. 62661				
ILLINOIS FED. AID PROJECT				