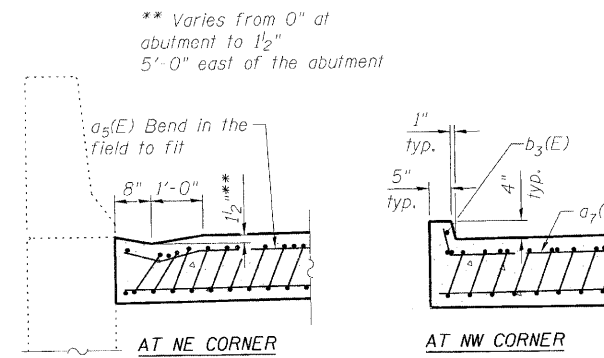
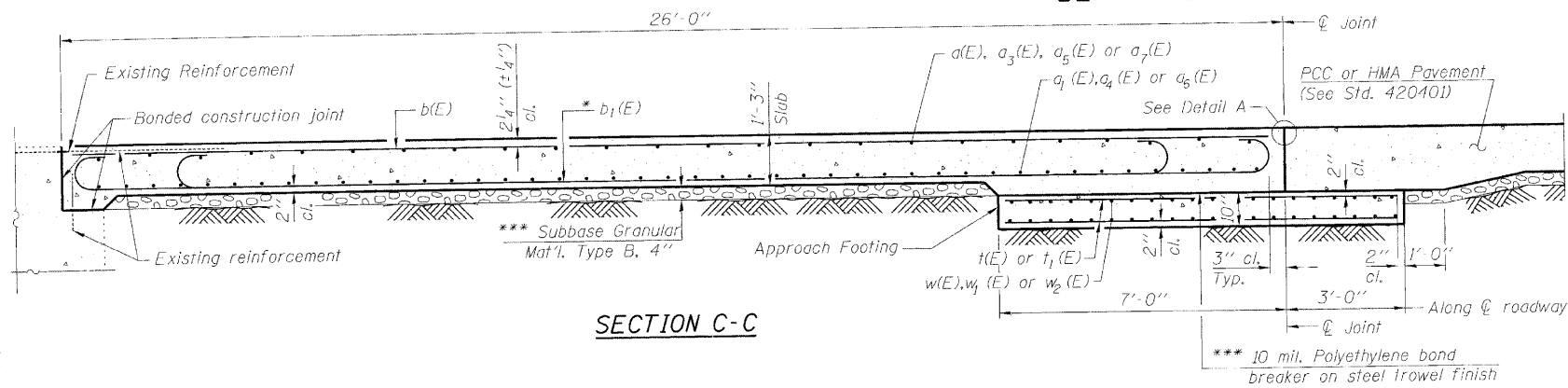
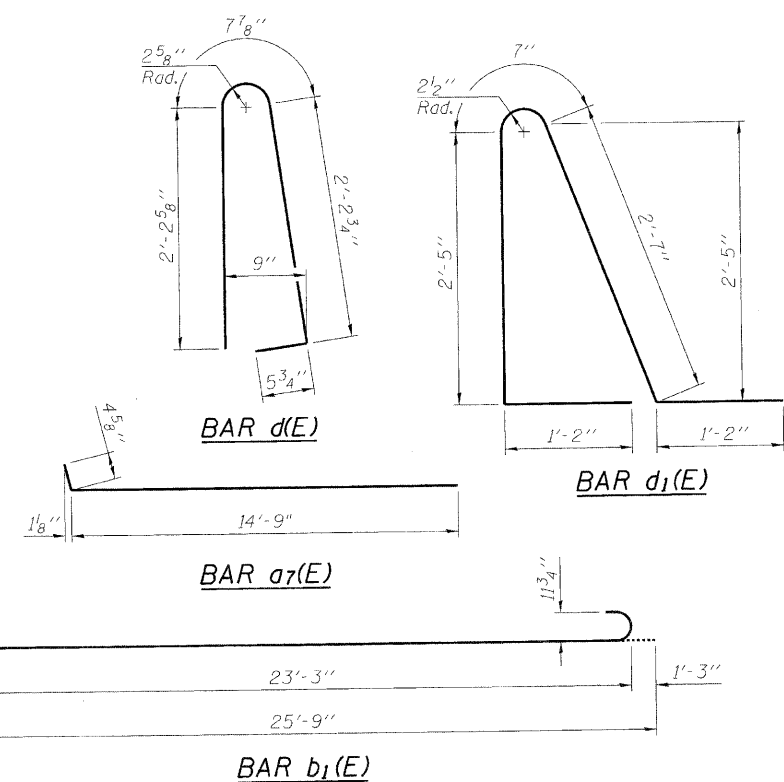
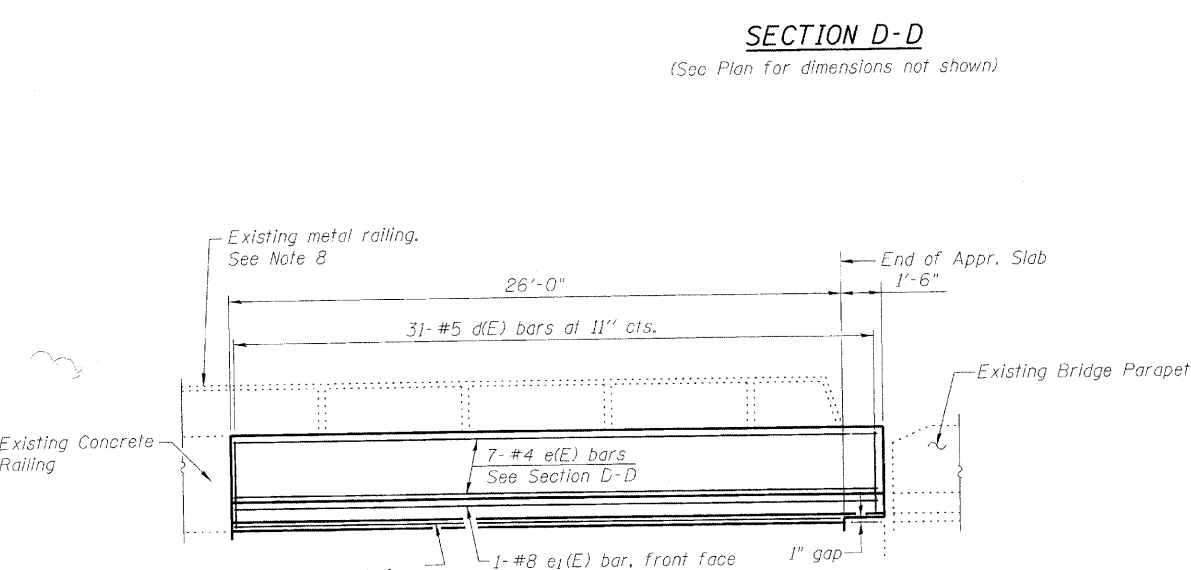
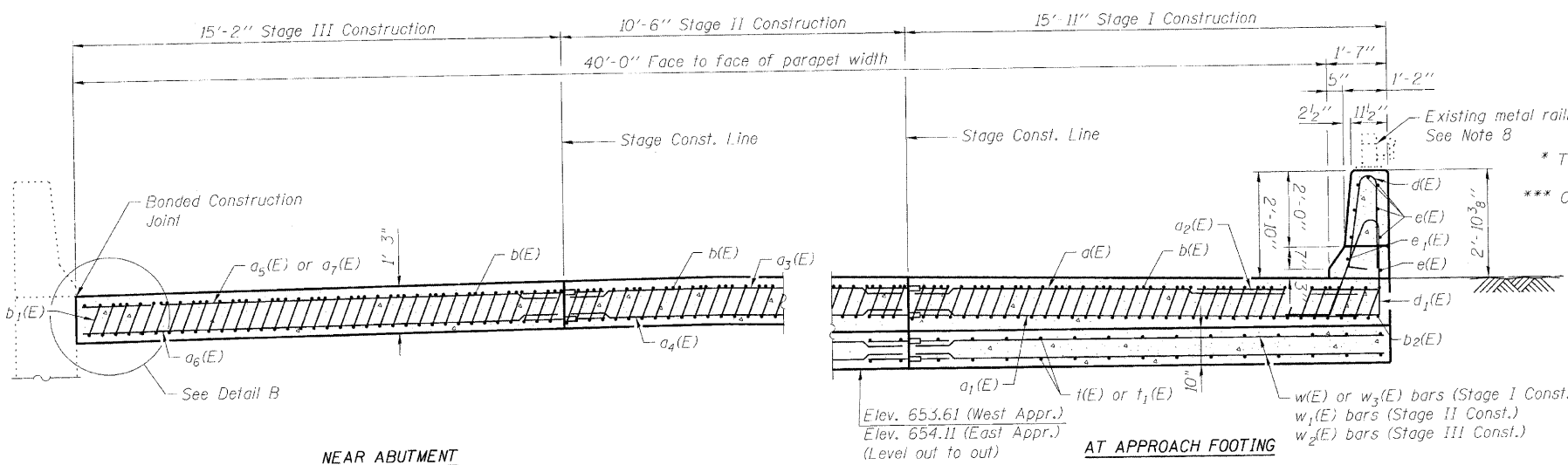


STATE OF ILLINOIS
DEPARTMENT OF TRANSPORTATION

TWO APPROACHES
BILL OF MATERIAL



Bar	No.	Size	Length	Shape
a(E)	44	# 4	15'-7"	
a1(E)	80	# 5	15'-7"	
a2(E)	44	# 6	6'-0"	
a3(E)	44	# 4	10'-2"	
a4(E)	80	# 5	10'-2"	
a5(E)	31	# 4	14'-10"	
a6(E)	80	# 5	14'-10"	
a7(E)	16	# 4	15'-2"	
b(E)	68	# 4	25'-8"	
b1(E)	200	# 9	25'-9"	
b2(E)	4	# 4	25'-8"	
b3(E)	1	# 4	15'-8"	
d(E)	62	# 5	5'-7"	
d1(E)	60	# 5	7'-11"	
e(E)	16	# 4	27'-2"	
e1(E)	2	# 8	27'-2"	
f(E)	172	# 4	9'-8"	
f1(E)	12	# 4	6'-8"	
v(E)	4	# 4	1'-1"	
v1(E)	2	# 4	2'-0"	
w(E)	56	# 5	15'-7"	
w1(F)	80	# 5	10'-2"	
w2(F)	80	# 5	14'-10"	
w3(F)	24	# 5	12'-7"	
Concrete Superstructure		Cu. Yd.	113.8	
Concrete Structures		Cu. Yd.	25.0	
Reinforcement Bars, Epoxy Coated		Pound	29,540	
Protective Coat		Sq. Yd.	256	
Bridge Deck Grooving		Sq. Yd.	220	
Bar Splicers		Each	408	



- Notes:
- See sheet S-3 for Detail A.
 - Approach slab and parapet concrete shall be paid for as Concrete Superstructure.
 - Approach footing concrete shall be paid for as Concrete Structures.
 - Reinforcement shall be paid for as Reinforcement Bars, Epoxy Coated.
 - The approach footing maximum applied service bearing pressure (Q_{max}) = 2.0 ksf.
 - For bar splicer details, see sheet S-5.
 - Cost of excavation for approach footing included with Concrete Structures. Any excavation required for placing Subbase Granular Material, shall be included with Concrete Superstructure.
 - Prior to any removal operations, the existing metal railing above the existing approach parapets shall be removed to the nearest joint beyond the removal limits, and stored. After the new approach parapet has been constructed, the metal railing shall be installed in the original location, using new hardware similar to the existing hardware. This work will not be measured and paid for separately, but shall be included in Concrete Superstructure.

BRIDGE APPROACH SLAB DETAILS II
STRUCTURE NO. 049-0068

DESIGNED	AMK
CHECKED	EKM
DRAWN	AMK
CHECKED	EKM

Ciorba Group, Inc.
CONSULTING ENGINEERS
5507 North Cumberland Avenue, Suite 402 Chicago, Illinois 60656
Tel. 773.775.4009 Fax 773.775.4014 Email chicago@ciorba.com

SHEET NO. S-4	F.A. RTE.	SECTION	COUNTY	TOTAL SHEETS	SHEET NO.
	1238	(0 & 31) RS-7	LAKE	32	18
S-6 SHEETS	CONTRACT NO. 62662				
FED. ROAD DIST. NO. 1 ILLINOIS FED. AID PROJECT					