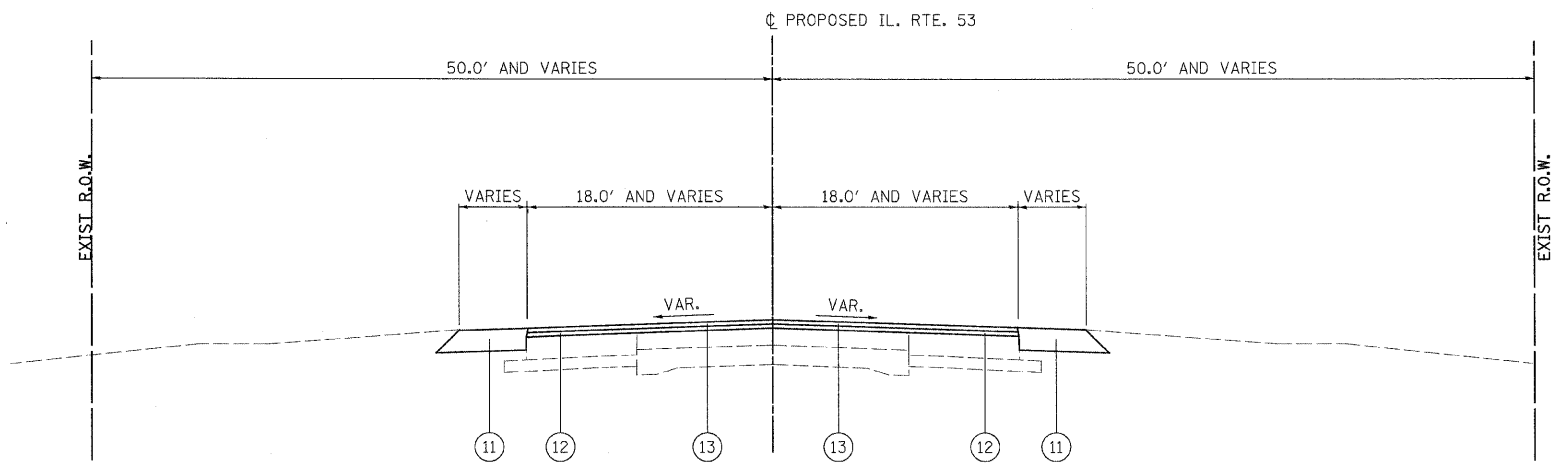


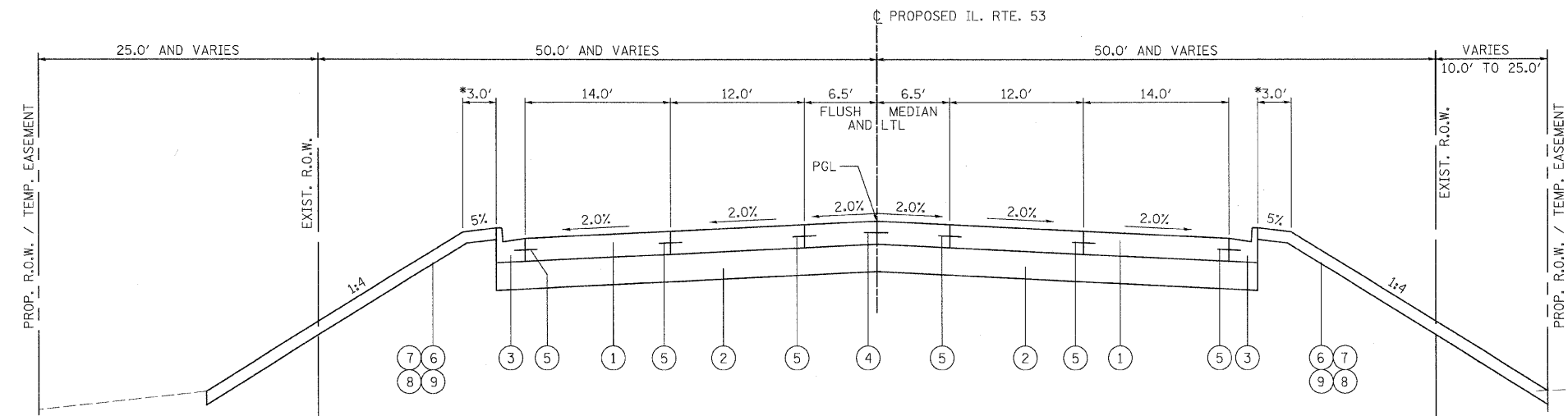
F.A.U. RTE.	SECTION	COUNTY	TOTAL SHEETS	SHEET NO.
2578	532B-1	DU PAGE	117	16
STA.		TO STA.		
FED. ROAD DIST. NO.	ILLINOIS	FED. AID PROJECT		

CONTRACT #62881



P-1 ILLINOIS ROUTE 53
STA. 156+00.00 TO STA. 157+28.40
MILL AND RESURFACE (SEE NOTE 3)

- LEGEND**
- ① PCC PAVEMENT 10" (JOINTED)
 - ② AGGREGATE SUBGRADE 12"
 - ③ COMBINATION CONCRETE CURB AND GUTTER, TYPE B-6.24
 - ④ LONGITUDINAL SAWED JOINT, NO. 6 EPOXY COATED TIE BARS 30" LONG AT 30" CENTERS
 - ⑤ LONGITUDINAL CONSTRUCTION JOINT, NO. 6 EPOXY COATED TIE BARS 24" LONG AT 24" CENTERS.
 - ⑥ SODDING, SALT TOLERANT
 - ⑦ SEEDING, CLASS 2A
 - ⑧ EROSION CONTROL BLANKET
 - ⑨ TOP SOIL FURNISH AND PLACE, 4"
 - ⑩ PORTLAND CEMENT CONCRETE SIDEWALK 5"
 - ⑪ HOT-MIX ASPHALT SHOULDERS, 8" (IN 3 LIFTS)
 - ⑫ LEVELING BINDER (MACHINE METHOD), N70 (1")
 - ⑬ POLYMERIZED HOT-MIX ASPHALT SURFACE COURSE, MIX "F", N90 (1 3/4")
 - ⑭ HOT-MIX ASPHALT BASE COURSE 8" (IN 3 LIFTS)
 - ⑮ HOT-MIX ASPHALT SURFACE COURSE, MIX "C", N50 (2")



P-2 ILLINOIS ROUTE 53
STA. 157+28.40 TO STA. 165+88.03 (SEE NOTE 3)
BRIDGE AND BRIDGE APPROACH PAVEMENT OMISSION
STA. 165+88.03 TO STA. 167+05.55
(SEE BRIDGE PLANS)

- NOTE:**
- LONGITUDINAL JOINT TIE BARS SHALL BE IN ACCORDANCE WITH APPLICABLE DETAILS SHOWN ON STANDARD 420001
 - DRILL AND GROUT IN PLACE TIE BARS WILL NOT BE PAID FOR SEPARATELY BUT SHALL BE INCLUDED IN THE COST OF THE CONCRETE PAY ITEMS (PCC PAVEMENT 10" (JOINTED) OR COMBINATION CONCRETE CURB AND GUTTER, B-6.24)
 - BASED ON SETTLEMENT ANALYSES, WICK DRAINS ARE REQUIRED TO ACCELERATE SETTLEMENT. SEE THE SPECIAL PROVISIONS AND ROADWAY GEOTECHNICAL REPORT. THE ROADWAY GEOTECHNICAL REPORT IS AVAILABLE UPON REQUEST, CONTACT THE DISTRICT GEOTECHNICAL ENGINEER.

HMA MIXTURE REQUIREMENT TABLE				
OPERATION	ITEM DESCRIPTION	ACPG TYPE	AIR VOIDS	THICKNESS
SHOULDERS	HOT-MIX ASPHALT SHOULDERS, 8"	PG 64-22 *	2% @30 GYR	8"
WIDENING AND RESURFACING	HOT-MIX ASPHALT BASE COURSE 8" (HMA BINDER IL-19mm)	PG 64-22 *	4% @50 GYR	8"
	LEVELING BINDER (MACHINE METHOD), N70	PG 64-22 *	4% @70 GYR	1"
	POLYMERIZED HOT-MIX ASPHALT SURFACE COURSE, MIX "F", N90 (IL-9.5mm)	SBS/SBR PG 70-22	4% @90 GYR	1 3/4"
COMMERCIAL ENTRANCES	HOT-MIX ASPHALT BASE COURSE 8" (HMA BINDER IL-19mm)	PG 64-22 *	4% @50 GYR	8"
	HOT-MIX ASPHALT SURFACE COURSE, MIX "C", N50 (IL-9.5mm)	PG 64-22	4% @50 GYR	2"
TEMPORARY PAVEMENT (10")	HOT-MIX ASPHALT BASE COURSE 8" (HMA BINDER IL-19mm)	PG 64-22 *	4% @50 GYR	8"
	HOT-MIX ASPHALT SURFACE COURSE, MIX "D", N50 (IL-9.5mm)	PG 64-22	4% @50 GYR	2"
PATCHES	CLASS D PATCHES, TYPE III, 13 INCH (HMA BINDER IL-19mm)	PG 64-22 *	4% @70 GYR	13"
	HOT-MIX ASPHALT REPLACEMENT OVER PATCHES, HMA BINDER IL-19mm	PG 64-22 *	4% @70 GYR	1 1/2"

NOTE:
THE UNIT WEIGHT USED TO CALCULATE ALL HMA SURFACE MIXTURES IS 112 LBS/SQ YD/IN.
* WHEN RAP EXCEEDS 20%, THE NEW ASPHALT BINDER IN THE MIX SHALL BE PG 58-22.

REVISIONS	
NAME	DATE

ILLINOIS DEPARTMENT OF TRANSPORTATION
ILLINOIS ROUTE 53 (FAU 2578)

PROPOSED TYPICAL SECTIONS

SCALE: NONE
DATE: 6/12/09

DRAWN BY: CPK
CHECKED BY: JJC

tkoepfen(Rdwy_Lis) 6/10/2009 5:05:35 PM Q:\IDOT\9356_A0_(IL53)\SpringBrook\Drawings\RDWY\shets\Typ\5_PTyp_01.dgn
PATRICK ENGINEERING INC.
 LISLE, ILLINOIS