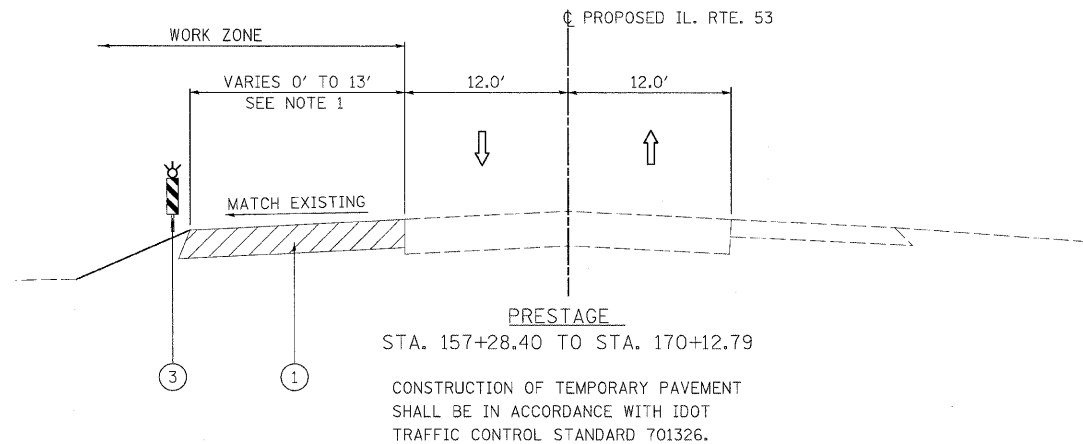


F.A.U. RTE.	SECTION	COUNTY	TOTAL SHEETS	SHEET NO.
2578	532B-1	DU PAGE	117	22
STA.		TO STA.		
FED. ROAD DIST. NO.		ILLINOIS FED. AID PROJECT		

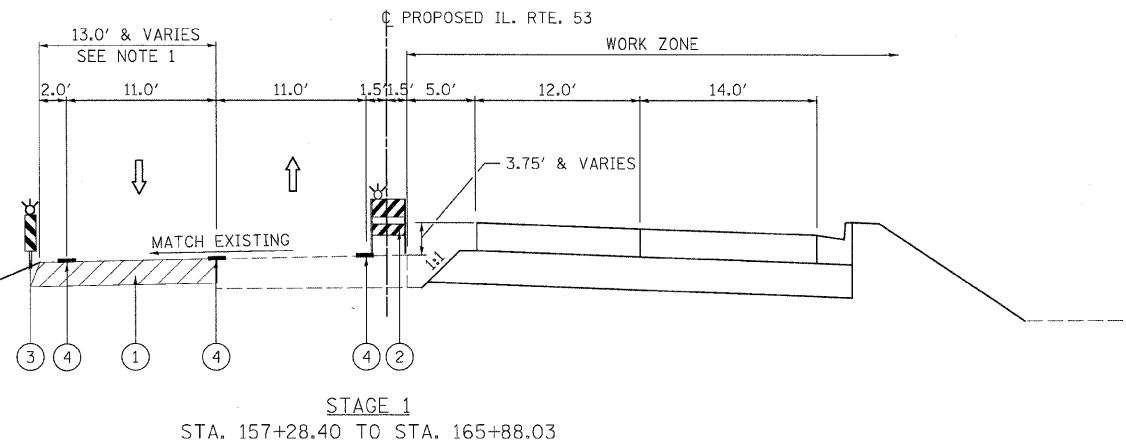
CONTRACT #62881

LEGEND

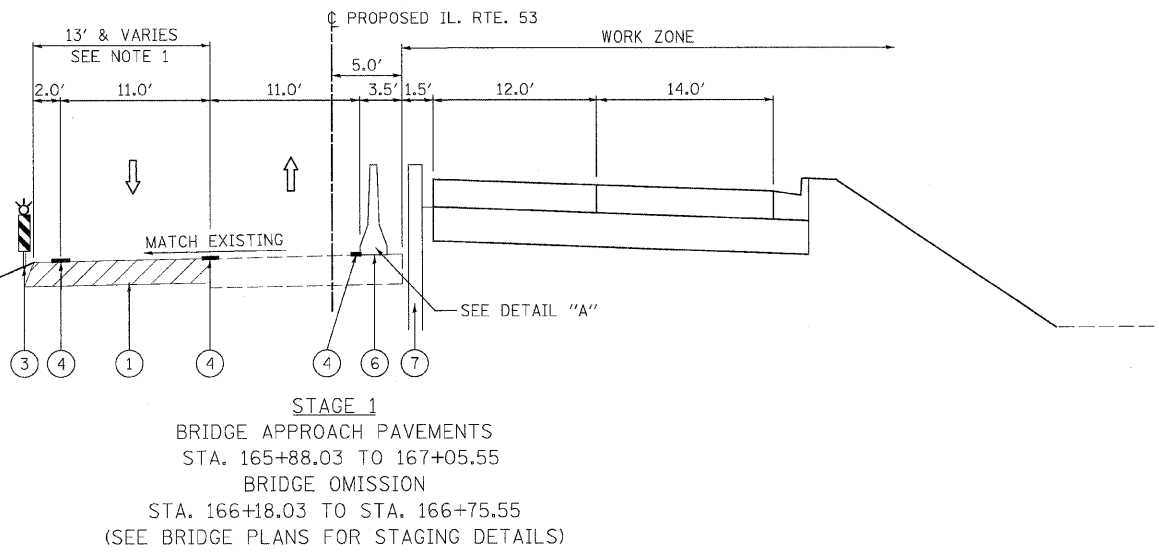
- ① TEMPORARY PAVEMENT (SEE SPECIAL PROVISION)
- ② TYPE II BARRICADES OR DRUMS WITH STEADY BURNING LIGHTS (50 FT C-C; 25 FT @ TAPERS & 12 FT ALONG RADII)
- ③ VERTICAL PANELS @ 50 FT C-C WITH STEADY BURNING LIGHTS
- ④ TEMPORARY PAVEMENT MARKING
- ⑤ WET PAVEMENT MARKING TAPE, TY III
- ⑥ TEMPORARY CONCRETE BARRIER WITH VERTICAL PANELS (SEE DETAIL A)
- ⑦ TEMPORARY SOIL RETENTION SYSTEM (SEE SPECIAL PROVISION)



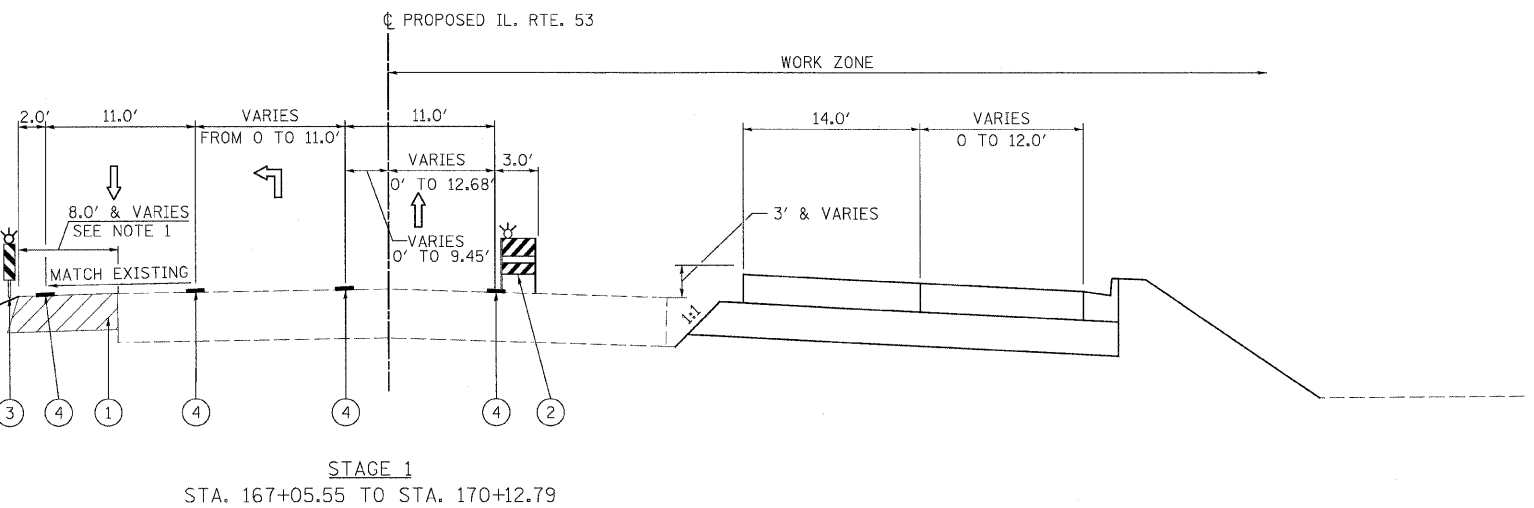
CONSTRUCTION OF TEMPORARY PAVEMENT SHALL BE IN ACCORDANCE WITH IDOT TRAFFIC CONTROL STANDARD 701326.



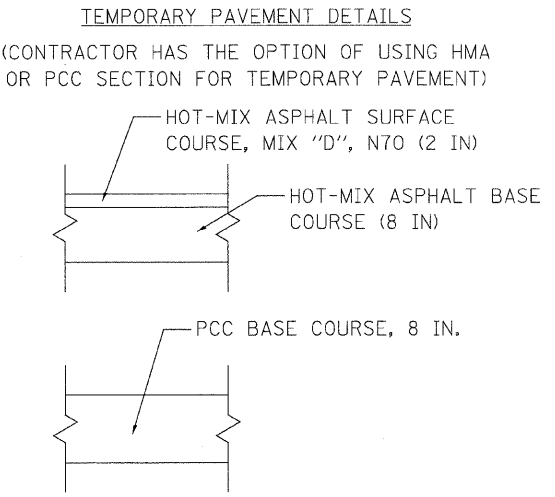
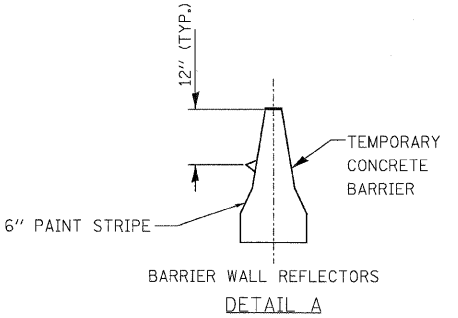
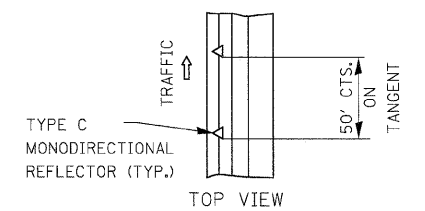
STAGE 1
STA. 157+28.40 TO STA. 165+88.03



STAGE 1
BRIDGE APPROACH PAVEMENTS
STA. 165+88.03 TO STA. 167+05.55
BRIDGE OMISSION
STA. 166+18.03 TO STA. 166+75.55
(SEE BRIDGE PLANS FOR STAGING DETAILS)



STAGE 1
STA. 167+05.55 TO STA. 170+12.79



REVISIONS	
NAME	DATE

ILLINOIS DEPARTMENT OF TRANSPORTATION
ILLINOIS ROUTE 53 (FAU 2578)

SUGGESTED STAGES OF CONSTRUCTION
AND TRAFFIC CONTROL TYPICAL SECTIONS
PRESTAGE AND STAGE 1

SCALE: NONE
DATE: _____

DRAWN BY: CPK
CHECKED BY: JJC

PATRICK ENGINEERING INC. ENGINEERING INC. LISLE, ILLINOIS
 6/10/2009 5:06:20 PM PDF:Grey_Large.plt Q:\DOT\9356_A0_ILL53\Springbrook\Drawings\RDW\shfts\Typ\S_Vot_typ.dgn