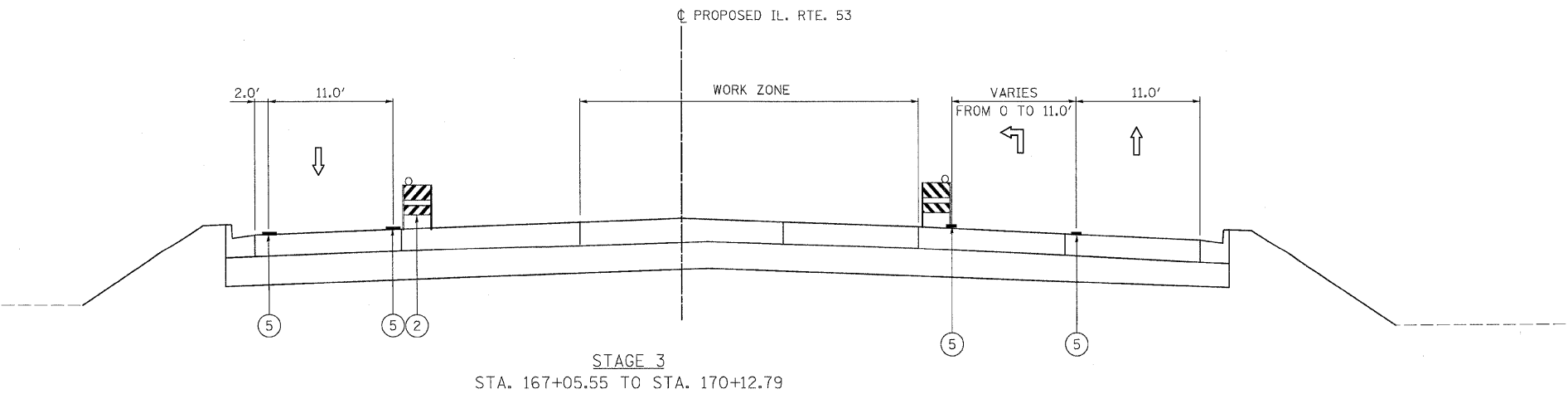
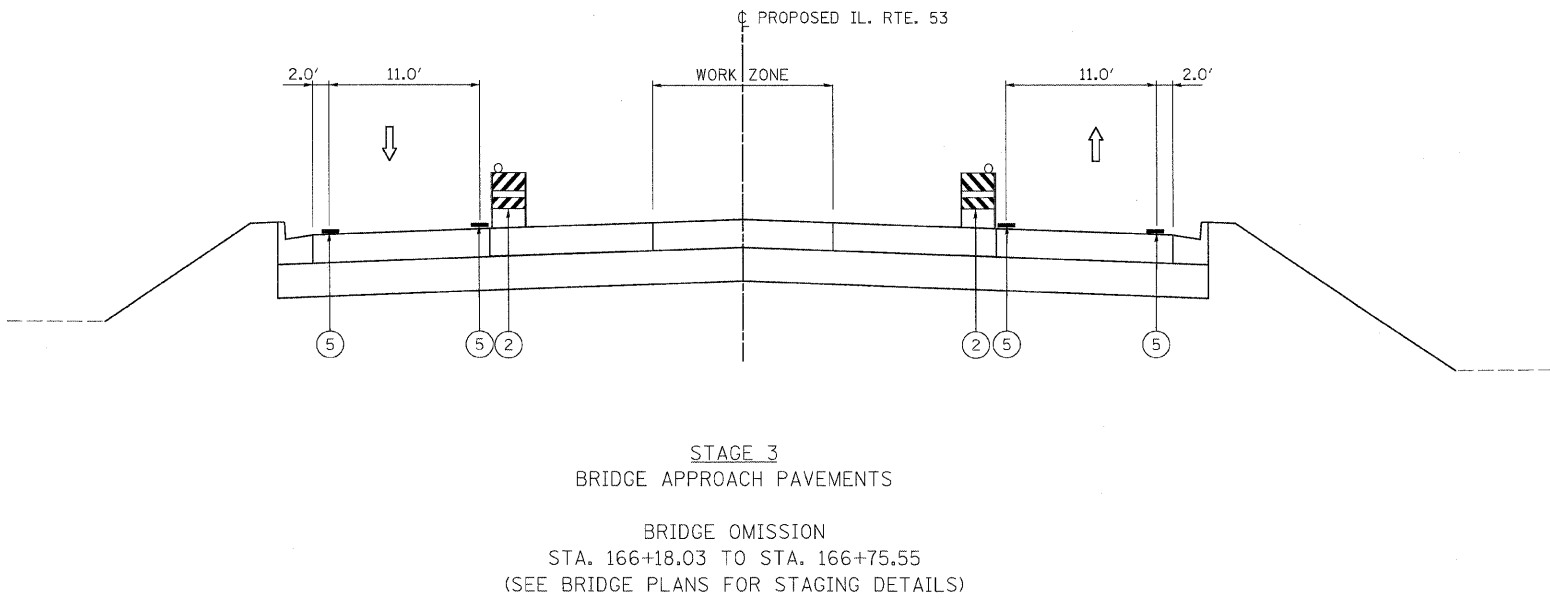
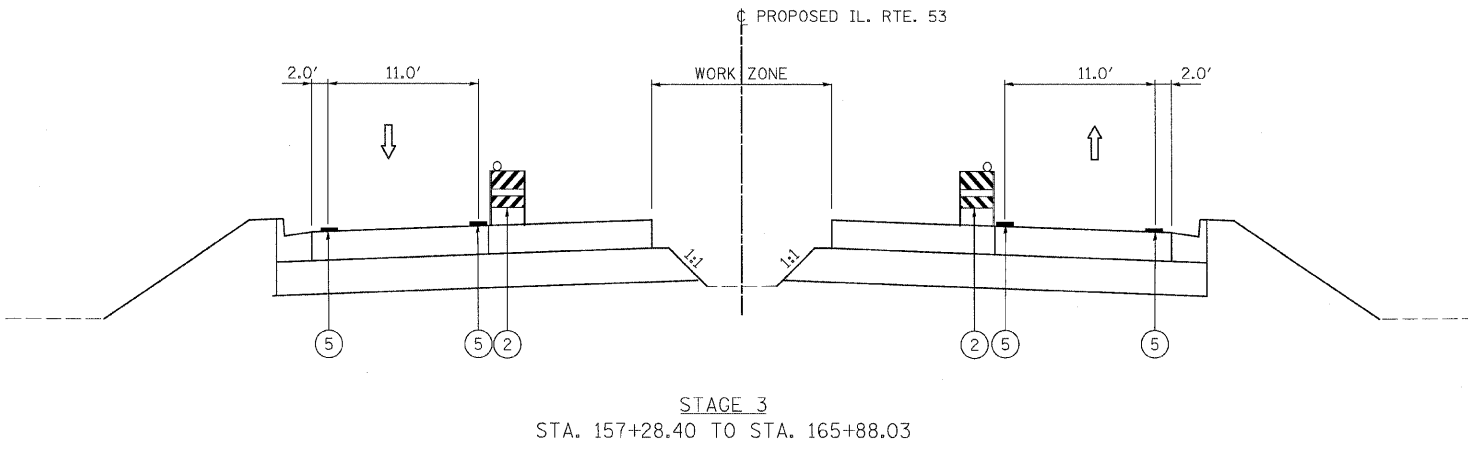


F.A.U. RTE.	SECTION	COUNTY	TOTAL SHEETS	SHEET NO.
2578	532B-1	DU PAGE	117	24
STA.		TO STA.		
FED. ROAD DIST. NO.	ILLINOIS	FED. AID PROJECT		

CONTRACT #62881

LEGEND

- ① TEMPORARY PAVEMENT (SEE SPECIAL PROVISION)
- ② TYPE II BARRICADES OR DRUMS WITH STEADY BURNING LIGHTS (50 FT C-C; 25 FT @ TAPERS & 12 FT ALONG RADII)
- ③ VERTICAL PANELS @ 50 FT C-C WITH STEADY BURNING LIGHTS
- ④ TEMPORARY PAVEMENT MARKING
- ⑤ WET PAVEMENT MARKING TAPE, TY III
- ⑥ TEMPORARY CONCRETE BARRIER WITH VERTICAL PANELS (SEE DETAIL A)
- ⑦ TEMPORARY SOIL RETENTION SYSTEM (SEE SPECIAL PROVISION)



REVISIONS	
NAME	DATE

ILLINOIS DEPARTMENT OF TRANSPORTATION
ILLINOIS ROUTE 53 (FAU 2578)

SUGGESTED STAGES OF CONSTRUCTION
AND TRAFFIC CONTROL TYPICAL SECTIONS
STAGE 3

SCALE: NONE
DATE: 6/12/09

DRAWN BY: CPK
CHECKED BY: JJC

tkoeppen(Rdwy-Lis(e)) 6/10/2009 5:06:25 PM PDF(Grey_Large).plt G:\DOT\9356-A0-IL-53\Springbrook\Drawings\RDWY\shtrs\Typ.S_Mot_typ.dgn

PATRICK ENGINEERING INC.
LISLE, ILLINOIS