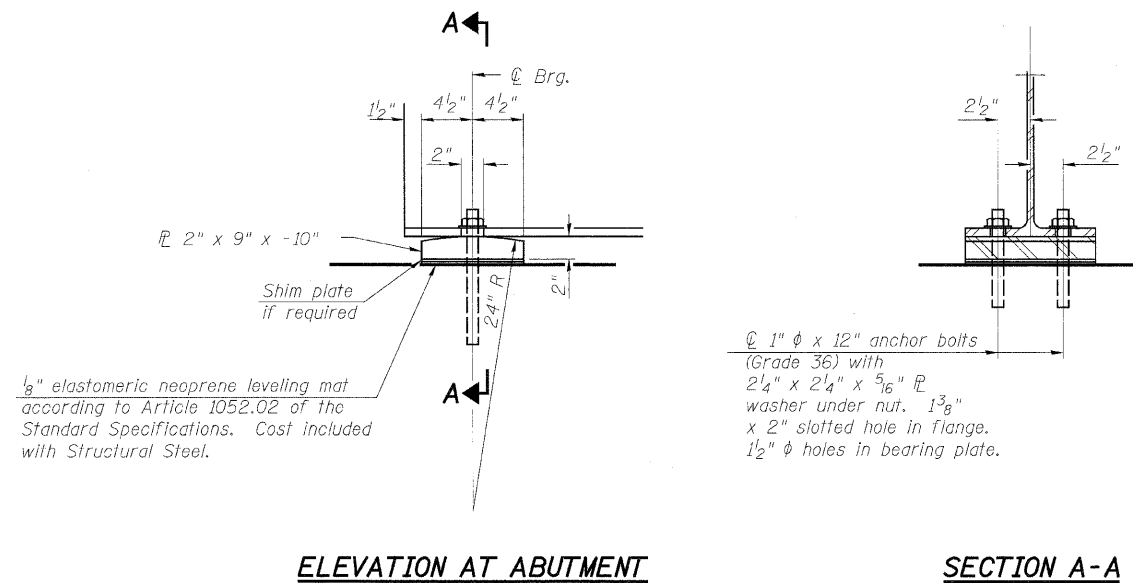


Beam	℄ Brg. W. Abut.	℄ Brg. E. Abut.
1	692.59	692.64
2	692.76	692.80
3	692.92	692.96
4	693.09	693.12
5	693.25	693.28
6	693.39	693.41
7	693.23	693.24
8	693.07	693.08
9	692.91	692.91
10	692.75	692.75
11	692.59	692.58



**FIXED BEARING**

Notes: Anchor bolts shall be ASTM F1554 all-thread (or an Engineer-approved alternate material) of the grade(s) and diameter(s) specified. ASTM A307 Grade C anchor bolts may be used in lieu of ASTM F1554 Grade 36 (Fy=36ksi). The corresponding specified grade of AASHTO M314 anchor bolts may be used in lieu of ASTM F1554.

Contractor has the option of cast in place or drilled installation. Anchor bolts at fixed bearings may be either cast in place or installed in drilled holes after the supported member is in place.

Drilled and set anchor bolts shall be installed according to Article 521.06 of the Standard Specifications.

**BILL OF MATERIAL**

ITEM	UNIT	TOTAL
Stud Shear Connectors	Each	3,201
Anchor Bolts, 1"	Each	44

REVISIONS	
NAME	DATE

ILLINOIS DEPARTMENT OF TRANSPORTATION  
**BEAM DETAILS**  
 ILLINOIS ROUTE 53 OVER  
 SPRING BROOK CREEK  
 FAU 2578 SECTION 532B-1  
 STRUCTURE NO. 022-0189  
 DUPAGE COUNTY STATION 166+46.79  
 SCALE: NONE DRAWN BY: E. MROCZEK  
 DATE: 6/12/09 CHECKED BY: G. HATLESTAD