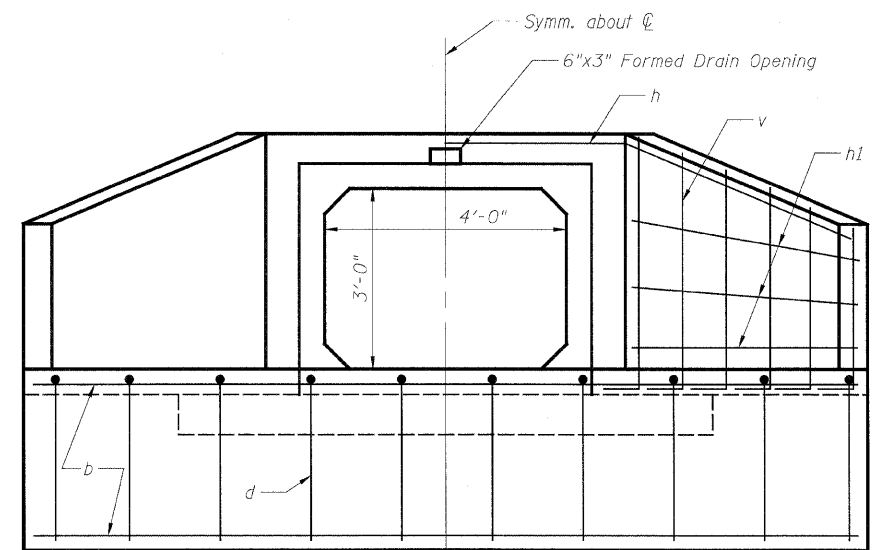
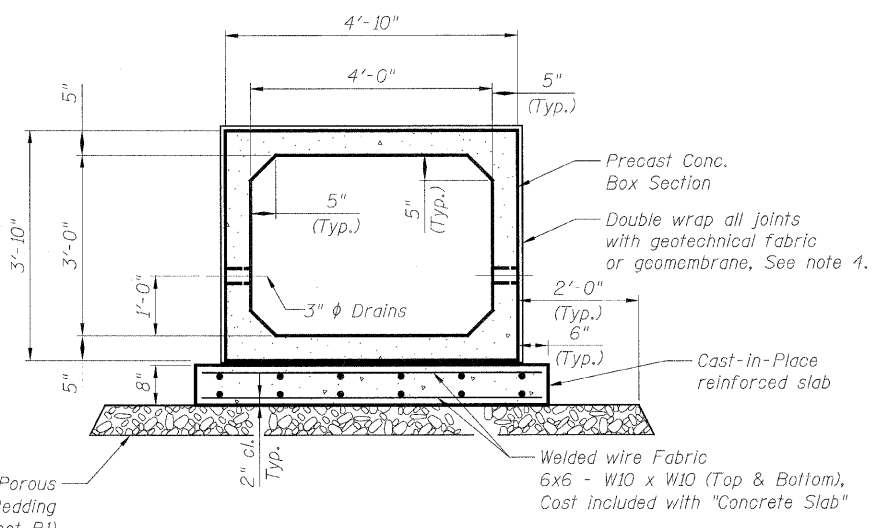


F.A.U. RTE.	SECTION	COUNTY	TOTAL SHEETS	SHEET NO.
2578	532B-1	DUPAGE	117	70
FED. ROAD DIST. NO. 7 ILLINOIS			FED. AID PROJECT	
CONTRACT NO. 62881				

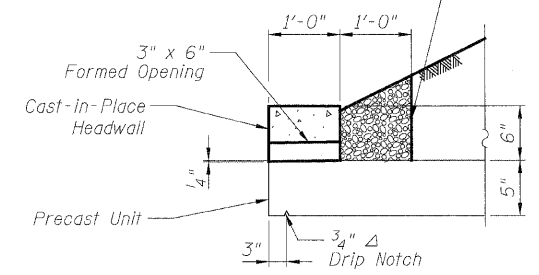
Coarse aggregate full length of both headwalls. To be placed by Grading Contractor. Cost included with Concrete Box Culverts.



VIEW A-A



SECTION THRU PRECAST CULVERT

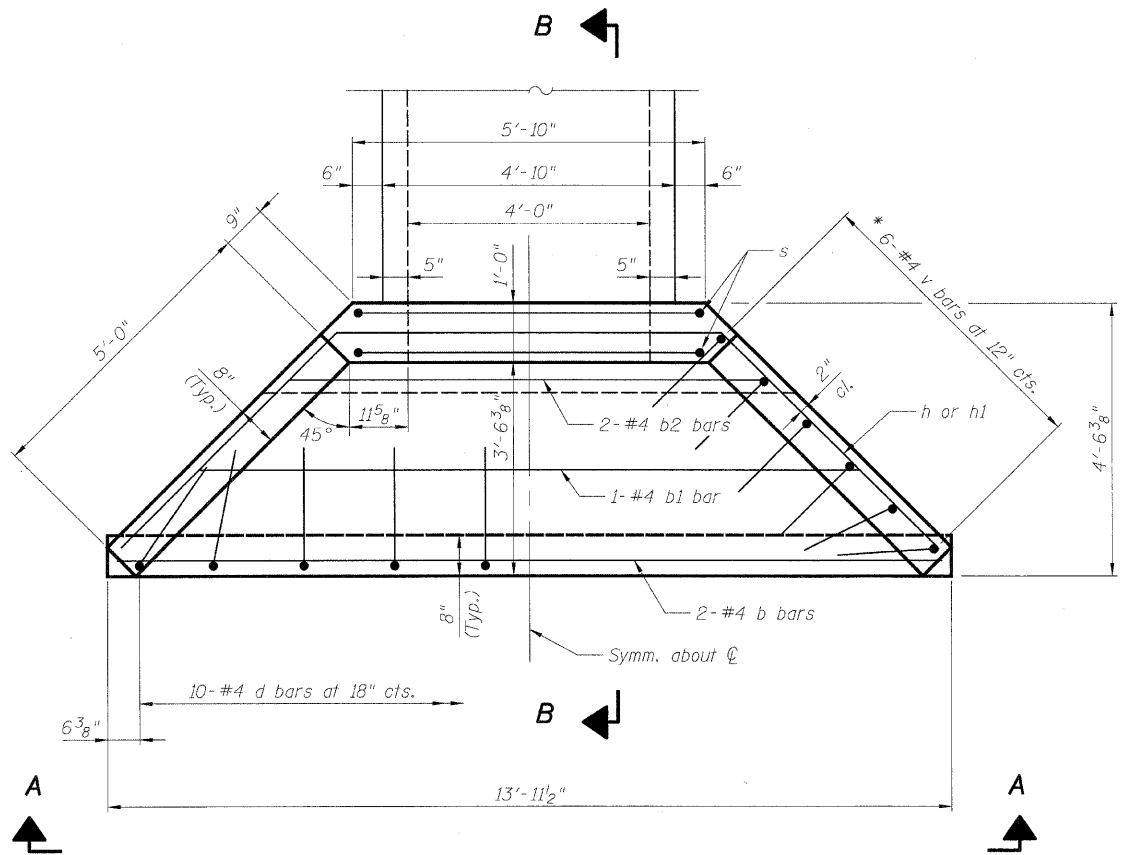


SECTION THRU HEADWALL

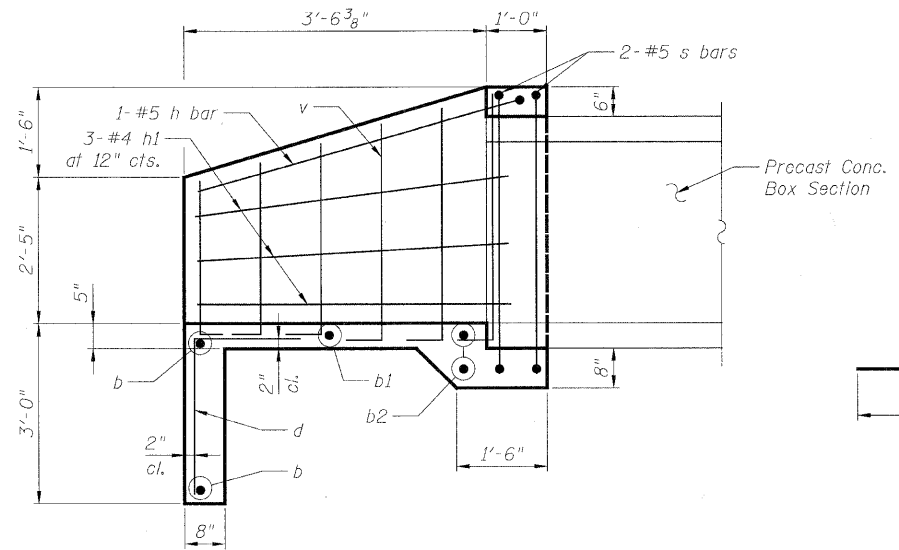
BILL OF MATERIAL

Bar	No.	Size	Length	Shape
* b	4	# 4	13' - 7"	—
* b1	2	# 4	10' - 11"	—
* b2	4	# 4	7' - 11"	—
* d	20	# 4	4' - 4"	—
* h	2	# 5	16' - 10"	—
* h1	12	# 4	5' - 6"	—
* s	4	# 5	21' - 3"	—
* v	24	# 4	5' - 9"	—
Box Culvert End Sections			Each	2
Concrete Slab			Sq. Yd.	60

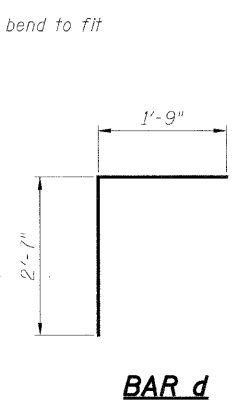
* For information only. The cost of reinforcement is included with "Box Culvert End Sections".



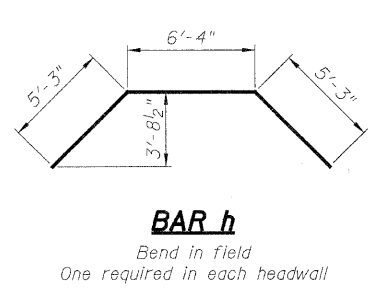
END SECTION - PARTIAL PLAN



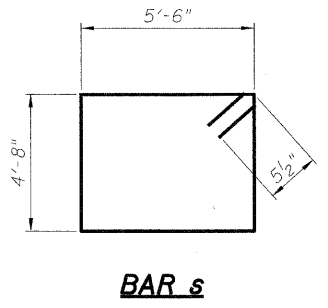
SECTION B-B



BAR d



BAR h



BAR s

BAR v

NOTES:

1. Bars indicated thus 12 x 4-#5 etc. indicates 12 lines of bars with 4 lengths per line.
2. See Sheet B1 for Culvert Plan and Elevation.
3. All Construction Joints shall be bonded.
4. Geotechnical Fabric or geomembrane shall be in accordance with Section 540.06 of Standard Specifications. Cost is included with "Precast Concrete Box Culvert 4'x3'".

REVISIONS	
NAME	DATE

ILLINOIS DEPARTMENT OF TRANSPORTATION
4'x3' BOX CULVERT DETAILS
 ILLINOIS ROUTE 53
 FAU 2578 SECTION 532B-1
 DUPAGE COUNTY STATION 159+51.92
 SCALE: NONE DRAWN BY: M.T./ E.M.
 DATE: 6/12/09 CHECKED BY: A. YARGICOLU