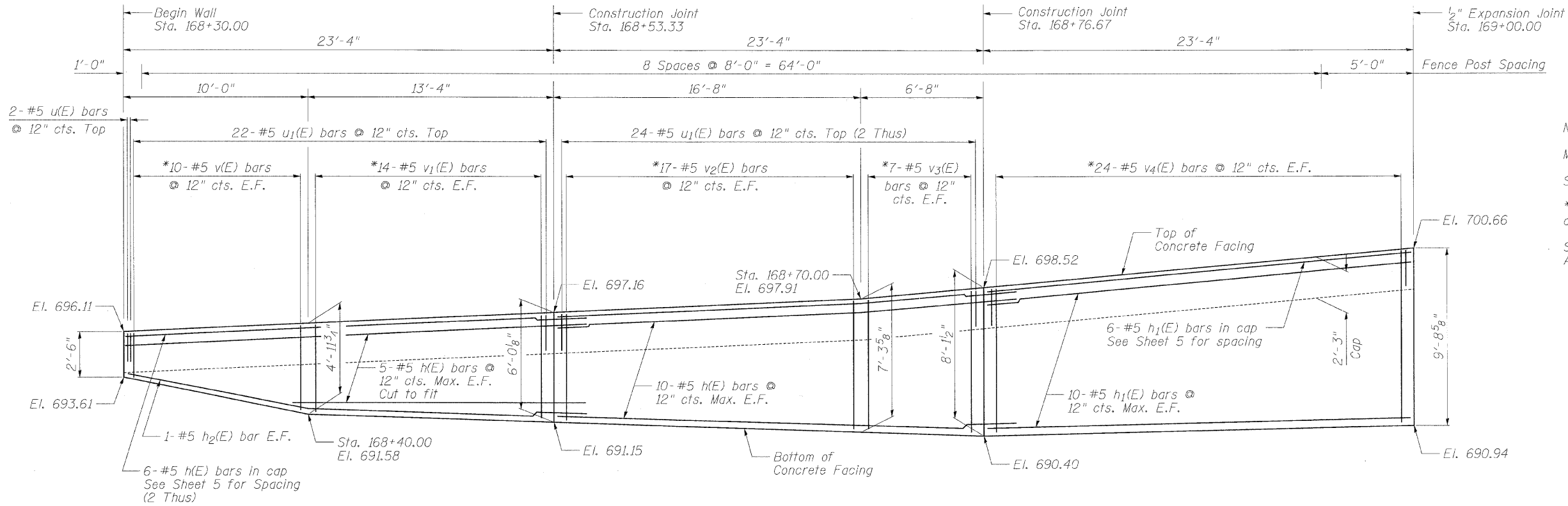
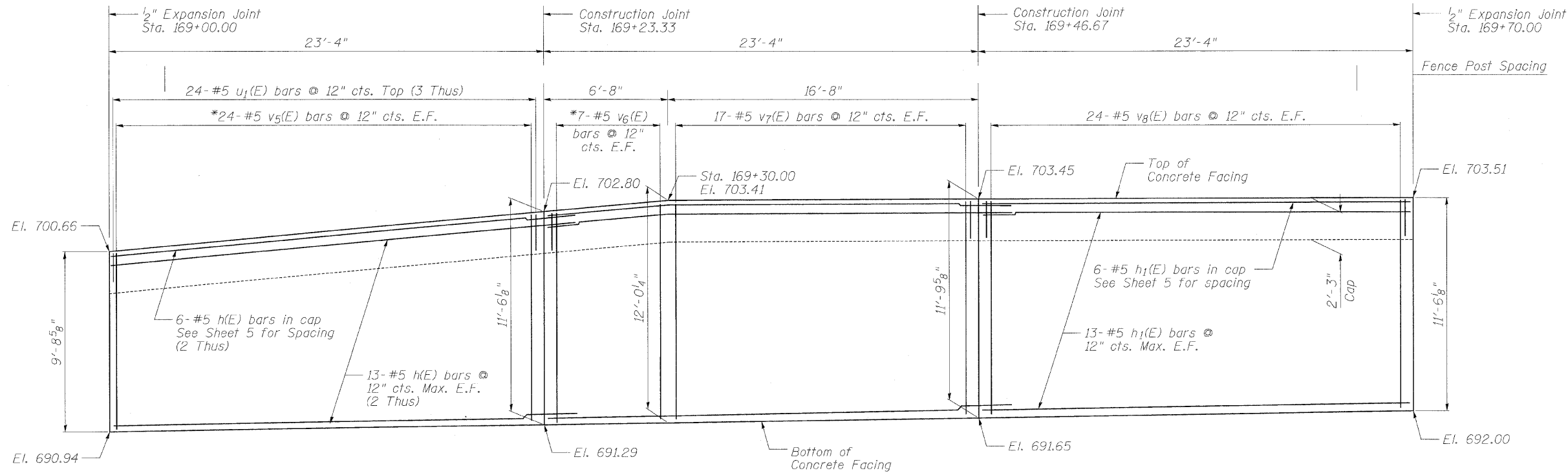


STATE OF ILLINOIS
DEPARTMENT OF TRANSPORTATION



Notes:
Minimum lap for #5 bar is 2'-2".
Space reinforcement in wall to miss shear studs.
* signifies cut bar. Order per length on Bill of Material. Cut as shown in Cutting Diagram and use half of bars in each face.
See Sheet 5 for Concrete Facing Details, Fence Post Anchor Assembly Details, and Bill of Material.

ELEVATION



ELEVATION

CONCRETE FACING
ILLINOIS ROUTE 53 (FAU 2578)
RETAINING WALL
FAU 2578 SECTION 532B
STRUCTURE NO. 022-W031
DUPAGE COUNTY
STA. 168+30.00 TO STA. 170+40.00

| | | | | | |
|-----------------------------|----------------|------------------------------|--------|--------------------|--------------|
| SHEET NO. 4 OF 10 SHEETS | F.A.U. RTE. | SECTION | COUNTY | TOTAL SHEETS | SHEET NO. |
| | 2578 | 532B | DUPAGE | 117 | 74 |
| DATE: 6/12/09 | | FED. ROAD DIST. NO. ILLINOIS | | CONTRACT NO. 62881 | |
| | | FED. AID PROJECT | | | |