

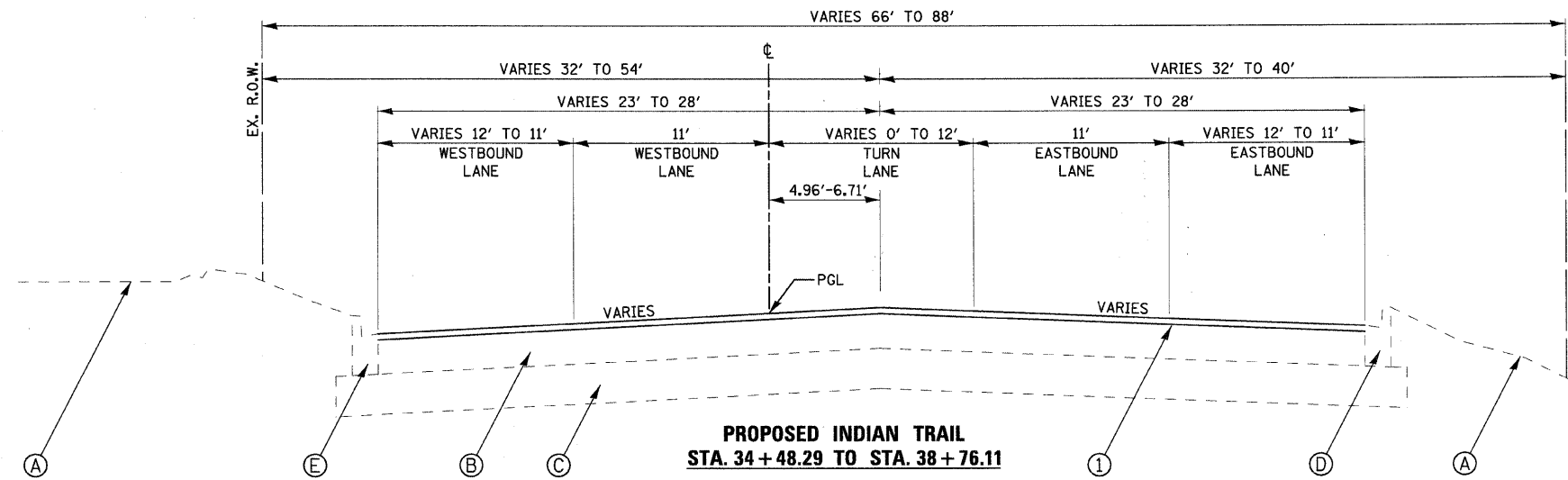
F.A.U. RTE.	SECTION	COUNTY	TOTAL SHEETS	SHEET NO.
1503	08-00260-01-PV	KANE	176	13
STA. 39+48.92		TO STA. 72+80.91		
FED. ROAD DIST. NO.		ILLINOIS FED. AID PROJECT		

LEGEND, EXISTING

- (A) EXISTING GROUND LINE
- (B) EXISTING HOT-MIX ASPHALT - SEE TABLE FOR THICKNESSES
- (C) EXISTING AGGREGATE BASE - SEE TABLE FOR THICKNESSES
- (D) EXISTING AGGREGATE SHOULDER
- (E) EXISTING TYPE B6.12 CURB AND GUTTER
- (F) EXISTING PCC SIDEWALK
- (G) EXISTING PAVEMENT STRUCTURE - TO BE REMOVED (44000100)
- (H) EXISTING AGGREGATE SHOULDER - TO BE REMOVED (INCLUDED IN EARTH EXCAV. - 20200100)
- (I) EXISTING COMB. CURB AND GUTTER - TO BE REMOVED (44000500)
- (J) EXISTING HOT-MIX ASPHALT SURFACE REMOVAL, (2") (44000157)
- (K) EXISTING PCC SIDEWALK - TO BE REMOVED (44000600)
- (L) SAW CUT (FULL DEPTH)

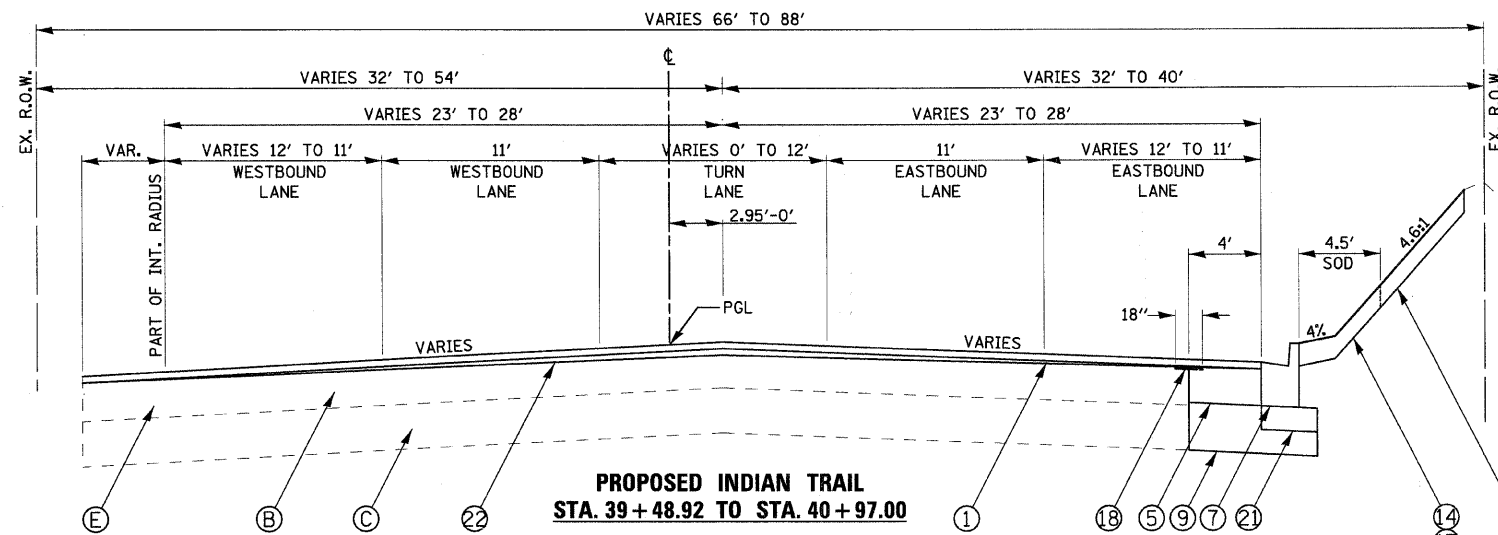
LEGEND, PROPOSED

- (1) POLYMERIZED HMA SURFACE COURSE, MIX "F", N90, 2" (40603595)
- (2) POLYMERIZED HMA BINDER COURSE, IL-19.0, N90, 9-1/2" (40603240)
- (3) HMA BINDER COURSE, IL-19.0, N50, 4" (40603080)
- (4) HMA SURFACE COURSE, MIX "C", N50, 2" (40603310)
- (5) HMA BASE COURSE WIDENING, IL-19.0, N90, 9-1/2"
- (6) COMBINATION CONCRETE CURB AND GUTTER, TYPE B6.12 (60603800)
- (7) COMBINATION CONCRETE CURB AND GUTTER, TYPE B6.24 (60605000)
- (8) CONCRETE MEDIAN, TYPE SB-6.12 (60619600)
- (9) AGGREGATE SUBGRADE, 12" (Z0001050)
- (10) GEOTECHNICAL FABRIC FOR GRND. STABILIZATION (21001000)
- (11) SUB-BASE GRANULAR MATERIAL, TYPE B, 4" (31101200)
- (12) SUB-BASE GRANULAR MATERIAL, TYPE B, 8" (31101600)
- (13) PCC SIDEWALK, 5" (6" THRU DRIVEWAYS) (42400200/42400300)
- (14) TOPSOIL FURNISH AND PLACE, 6" (XX005238)
- (15) TOPSOIL FURNISH AND PLACE, 24" (XX005238)
- (16) SEEDING CLASS 2A W/EROSION CONTROL BLANKET (25000210/25100630)
- (17) SODDING, SALT TOLERANT (25200110)
- (18) STRIP REFLECTIVE CRACK CONTROL TREATMENT, SYSTEM A (44300900)
- (19) MODULAR CONCRETE PAVER (SPECIAL) ON AGGREGATE BASES (XX005845)
- (20) AGGREGATE SHOULDERS, TYPE A 6" (48100500)
- (21) SUB-BASE GRANULAR MATERIAL, TYPE B, 6" (CA-7)(TO BE PAID AS Z0001050)
- (22) LEVELING BINDER (MACHINE METHOD), N70 (40600635)

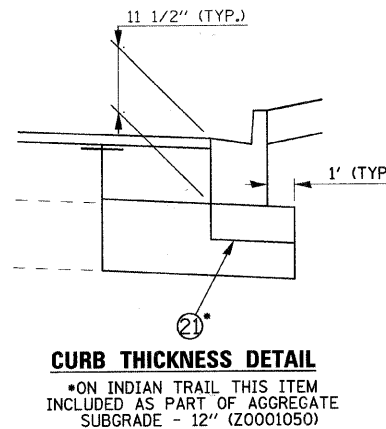


**PROPOSED INDIAN TRAIL
STA. 34 + 48.29 TO STA. 38 + 76.11**

INTERSECTION OMISSION
STA. 38+76.11 TO STA. 39+48.92
INTERSECTION TO BE OVERLAYED W/ 2" SURFACE COURSE
(SEE PNP PLAN SHEET 33 FOR EXACT LIMITS)



**PROPOSED INDIAN TRAIL
STA. 39 + 48.92 TO STA. 40 + 97.00**



CURB THICKNESS DETAIL
*ON INDIAN TRAIL THIS ITEM INCLUDED AS PART OF AGGREGATE SUBGRADE - 12" (Z0001050)

ESTIMATED QUANTITIES FOR UNDERCUTTING, PGES, AND GEOTECHNICAL FABRIC

STATION LIMITS		ESTIMATED THICKNESS PGES
FROM	TO	
38+15	41+15	12 INCHES
41+15	44+15	8 INCHES
44+15	47+15	4 INCHES
47+15	50+15	8 INCHES
50+15	53+15	4 INCHES
56+20	59+20	6 INCHES
59+20	62+15	10 INCHES
65+15	67+85	6 INCHES
70+50	72+81	12 INCHES
604+50	609+00	6 INCHES

HOT-MIX ASPHALT MIXTURE REQUIREMENTS		
ITEM	AC TYPE	VOIDS
ROADWAY		
POLYMERIZED HOT-MIX ASPHALT SURFACE COURSE, MIX "F", N90 (IL 9.5 mm)	SBS/SBR PG 70-22	4% @ 90 GYR.
POLYMERIZED HOT-MIX ASPHALT BINDER COURSE, IL-19.0, N90	SBS/SBR PG 70-22	4% @ 90 GYR.
HOT-MIX ASPHALT BASE COURSE WIDENING, (HMA BINDER IL-19 mm)	PG 64-22 *	4% @ 90 GYR.
LEVELING BINDER (MACHINE METHOD), N70	PG 64-22 *	4% @ 70 GYR.
DRIVEWAYS		
HOT-MIX ASPHALT SURFACE COURSE, MIX "C", N50, 2" (IL 9.5 mm) (P.E. & C.E.)	PG 64-22	4% @ 50 GYR.
HOT-MIX ASPHALT BASE COURSE, 6" (PRIVATE) (HMA BINDER IL-19 mm)	PG 64-22 *	4% @ 50 GYR.
HOT-MIX ASPHALT BASE COURSE, 8" (COMMERCIAL) (HMA BINDER IL-19 mm)	PG 64-22 *	4% @ 50 GYR.
TEMPORARY PAVEMENT		
TEMP PAVEMENT (HMA BINDER IL-19 mm), 6"	PG 64-22 *	4% @ 50 GYR.
PATCHING		
CLASS D PATCHES (HMA BINDER IL-19 mm), 10"	PG 64-22 *	4% @ 70 GYR.
BIKE PATH		
HOT-MIX ASPHALT SURFACE COURSE, MIX "C", N50 (IL 9.5 mm), 3"	PG 64-22	4% @ 50 GYR.

**INDIAN TRAIL
STRUCTURAL PAVEMENT DESIGN**

STRUCTURAL DESIGN TRAFFIC: Year 2020
PV = 28740 SU = 780 MU = 480
ROAD/STREET CLASSIFICATION: Class I
PERCENT OF STRUCTURAL DESIGN TRAFFIC IN DESIGN LANE:
P = 96 S = 3 M = 2
TRAFFIC FACTOR: Actual TF = 3.04 AC Type = PG 70-22
Minimum TF = N/A
PG GRADE: Binder = PG 70-22 Surface = PG 70-22
SUBGRADE SUPPORT RATING: SSR = POOR

**OHIO, AUTUMN & TRASK
STRUCTURAL PAVEMENT DESIGN**

STRUCTURAL DESIGN TRAFFIC: Year 2020
PV = 5300 SU = 53 MU = 53
ROAD/STREET CLASSIFICATION: Class II
PERCENT OF STRUCTURAL DESIGN TRAFFIC IN DESIGN LANE:
P = 98 S = 1 M = 1
TRAFFIC FACTOR: Actual TF = 0.22 AC Type = PG 58-22
Minimum TF = N/A
PG GRADE: Binder = PG 58-22 Surface = PG 64-28 OR SBS PG
SUBGRADE SUPPORT RATING: SSR = POOR



APPROXIMATE EXISTING PAVEMENT DEPTH

STATION LIMITS	HOT-MIX ASPHALT	AGGREGATE BASE
39+48.92 TO 42+64	11.0"	2.0"
42+64 TO 48+64	8.5"-11.0"	2.0"-4.5"
48+64 TO 63+64	8.5"-9.0"	4.5"-12.0"
63+64 TO 70+64	9.0"-13.1"	12.0"-8.0"
70+64 TO 72+80.91	13.1"-8.7"	12.0"-7.3"

REVISIONS		ILLINOIS DEPARTMENT OF TRANSPORTATION
NAME	DATE	
		TYPICAL SECTIONS INDIAN TRAIL ROAD SHEET 4 OF 10 SCALE: VERT. N/A DATE 1/7/09 DRAWN BY KMA CHECKED BY TC/SBP