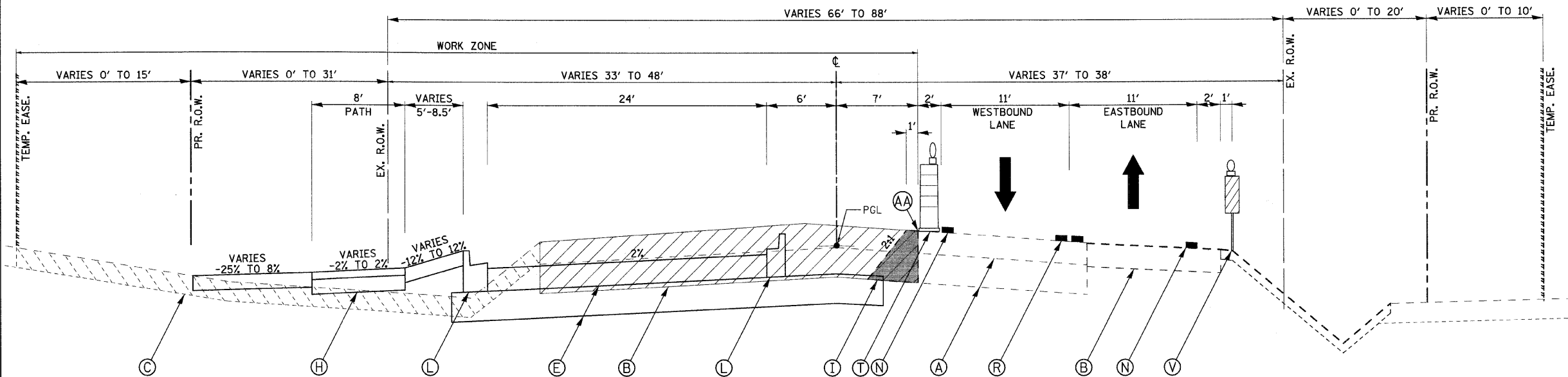


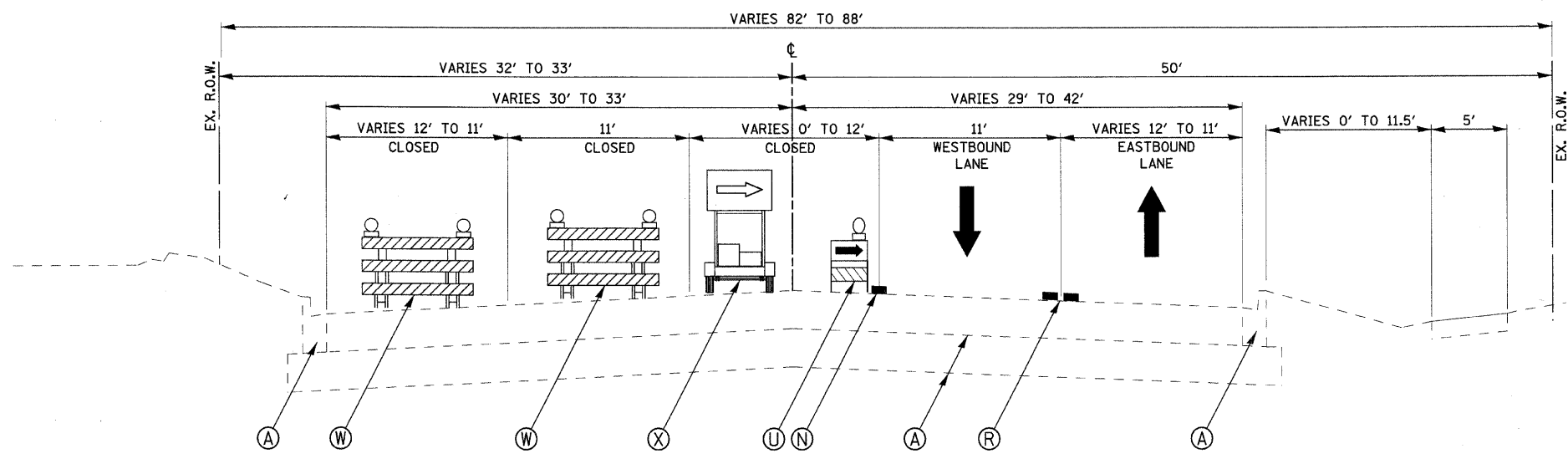
F.A.U. RTE.	SECTION	COUNTY	TOTAL SHEETS	SHEET NO.
1503	08-00260-01-PV	KANE	176	44
STA. N/A		TO STA. N/A		
FED. ROAD DIST. NO.	ILLINOIS	FED. AID PROJECT		



**INDIAN TRAIL STAGE 1
STA. 46+00.00 TO STA. 72+80.91**

LEGEND

- (A) EXIST. PAVEMENT STRUCTURE - TO REMAIN
- (B) EXIST. PAVEMENT STRUCTURE - TO BE REMOVED
- (C) EXIST. EARTH/TOPSOIL - TO BE REMOVED
- (D) EXIST. PAVEMENT MARKINGS - TO REMAIN
- (E) PROP. PAVEMENT STRUCTURE
- (F) PROP. TEMPORARY BITUMINOUS PAVEMENT - 6"
- (G) PROP. TEMPORARY AGGREGATE BASE COURSE - 4"
- (H) PROP. BITUMINOUS BIKE PATH
- (I) PROP. TEMPORARY AGGREGATE SHOULDER (VAR. DEPTH) (TO BE PAID AS AGGREGATE SHOULDER SPECIAL)
- (J) PROP. BITUMINOUS SURFACE COURSE
- (K) PROP. SURFACE MILLING - (THICKNESS SAME AS SURFACE CRSE.)
- (L) PROP. COMB. CONCRETE CURB AND GUTTER/MEDIAN
- (M) PROP. STRUCTURAL EMBANKMENT
- (N) TEMPORARY PAVEMENT MARKING LINE - 4" SOLID WHITE
- (O) TEMPORARY PAVEMENT MARKING LINE - 4" SKIP DASH WHITE
- (P) TEMPORARY PAVEMENT MARKING LINE - 6" SOLID WHITE
- (Q) TEMPORARY PAVEMENT MARKING LINE - 4" SOLID YELLOW
- (R) TEMPORARY PAVEMENT MARKING LINE - 2-4" DOUBLE YELLOW
- (S) TEMPORARY SHORT-TERM PAVEMENT MARKING LINE - 4" (COLOR AS REQ.)
- (T) DRUMS WITH STEADY BURN LIGHTS ON 50' CENTERS
- (U) DIRECTIONAL TYPE 1 BARRICADES
- (V) VERTICAL PANELS - POST MOUNTED
- (W) TYPE III BARRICADES
- (X) DIRECTIONAL ARROW BOARD
- (Y) FLEXIBLE DELINEATOR
- (Z) TEMPORARY CONCRETE BARRIER WALL WITH GLARE SCREEN
- (AA) FULL DEPTH SAWCUT



**PROPOSED INDIAN TRAIL LANE REDUCTION
DETAIL - STAGE 1
STA. 72+80.91 TO STA. 75+13.59**

REVISIONS	
NAME	DATE

ILLINOIS DEPARTMENT OF TRANSPORTATION
MAINTENANCE OF TRAFFIC - TYPICAL SECTION
INDIAN TRAIL ROAD
SHEET 4 OF 22

SCALE: VERT. HORIZ. N/A
DATE 1/7/09

DRAWN BY TC
CHECKED BY TC/SBP

RHAA
Robert H. Anderson & Associates, Inc.
Consulting Engineers & Land Surveyors
License No. 084-005281
Phone No. 630-584-3530

PLOT DATE = 1/5/2009
FILE NAME = H:\Aurora\120809_11\Plan\Civil\Sheet\DOT_Typ_03.dgn
PLOT SCALE = N/A
USER NAME = USER