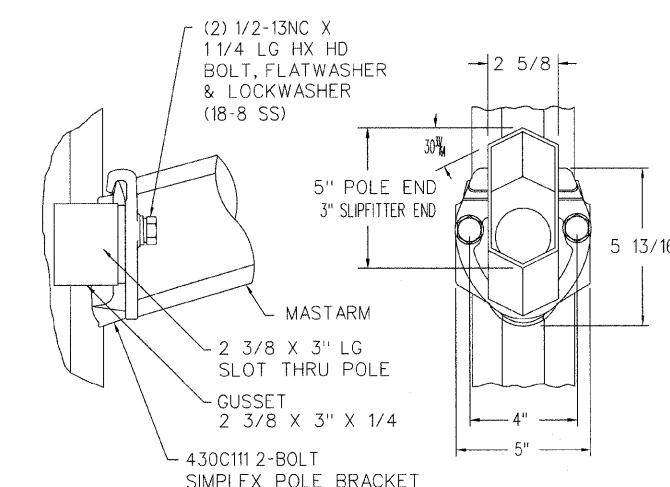
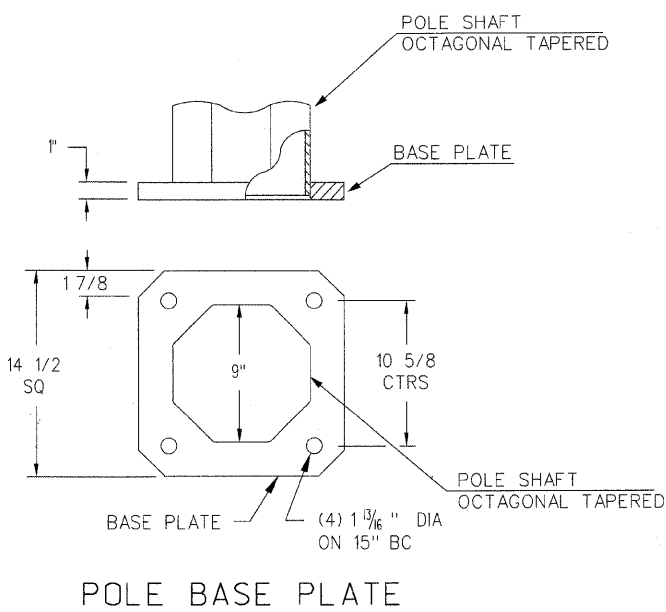
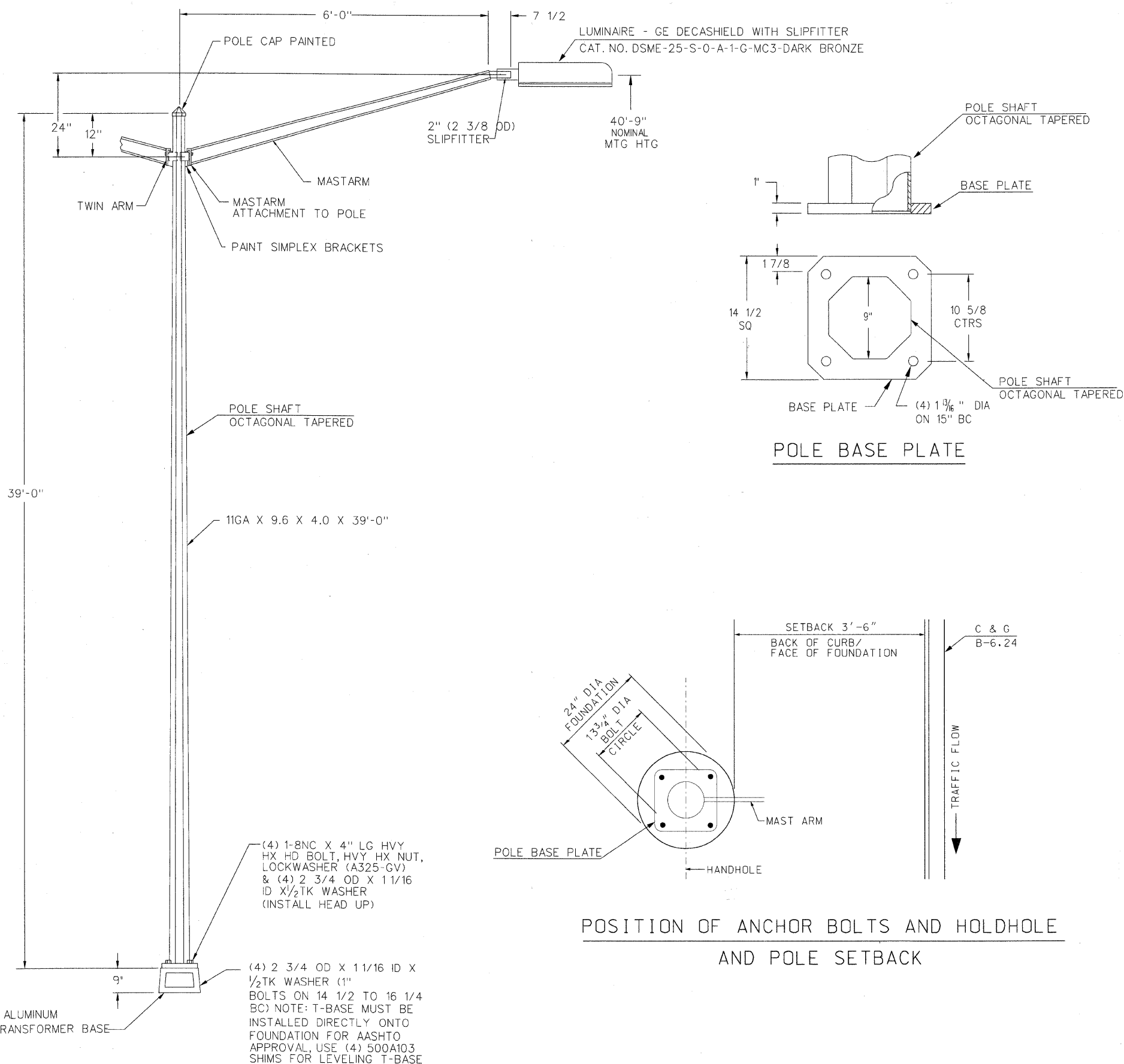
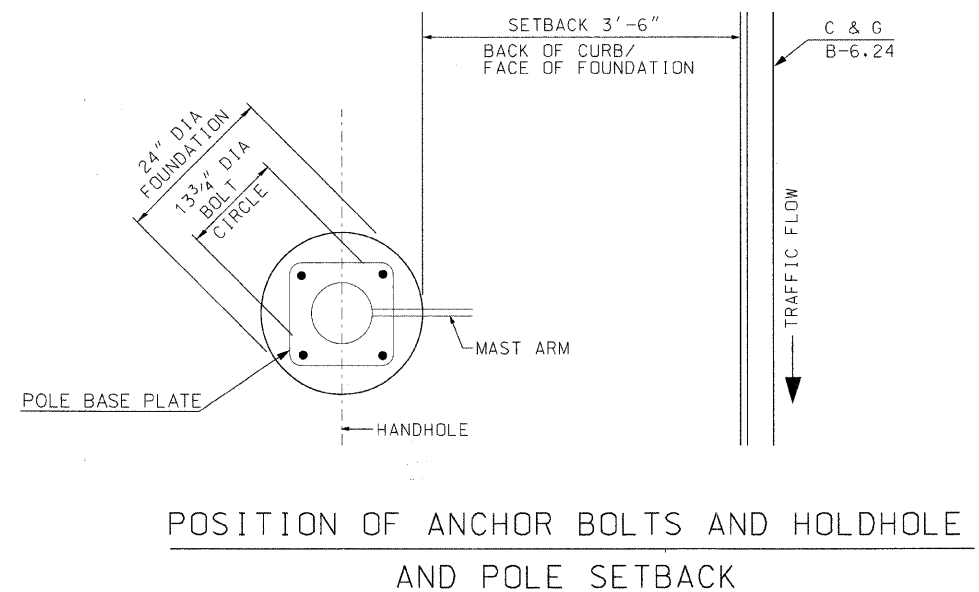


F.A. RTE.	SECTION	COUNTY	TOTAL SHEETS	SHEET NO.
1503	08-00260-01-PV	KANE	176	101



**DETAIL 210A20 MASTARM ATTACHMENT TO POLE**



- NOTE:**
1. LUMINAIRE ARE TO BE INSTALLED AS SOON AS POSSIBLE AFTER POLE ERECTION. THE POLE WILL NOT BE PAID FOR UNTIL THE LUMINAIRE IS INSTALLED
  2. THE LIGHT POLE WILL MEET AASHTO DESIGN CRITERIA.
  3. THE RACEWAY SHALL EXTEND A MINIMUM OF (12") ABOVE THE BASE



**LIGHT POLE DETAIL**

DRAWING DETAILS FROM MILLERBERND

REVISED 06-30-08

**Sunjoy Inc.**  
 Area Lighting  
 212 TIMBERCREST DRIVE  
 SCHAUMBURG, ILLINOIS  
 60193-1572

ILLINOIS DEPARTMENT OF TRANSPORTATION  
**CITY OF AURORA, KANE COUNTY**  
**INDIAN TRAIL ROAD**  
**LIGHT POLE, WEATHERING STEEL**  
**40FT MOUNTING HEIGHT, 8 FT MAST ARM**

SCALE: NONE  
 DATE: 06-03-08  
 DRAWN BY: HKQ  
 CHECKED BY: JS

C:\SUNJOY\Projects\INDIAN TRAIL\POLE\_DET\052008 9:25:46 AM