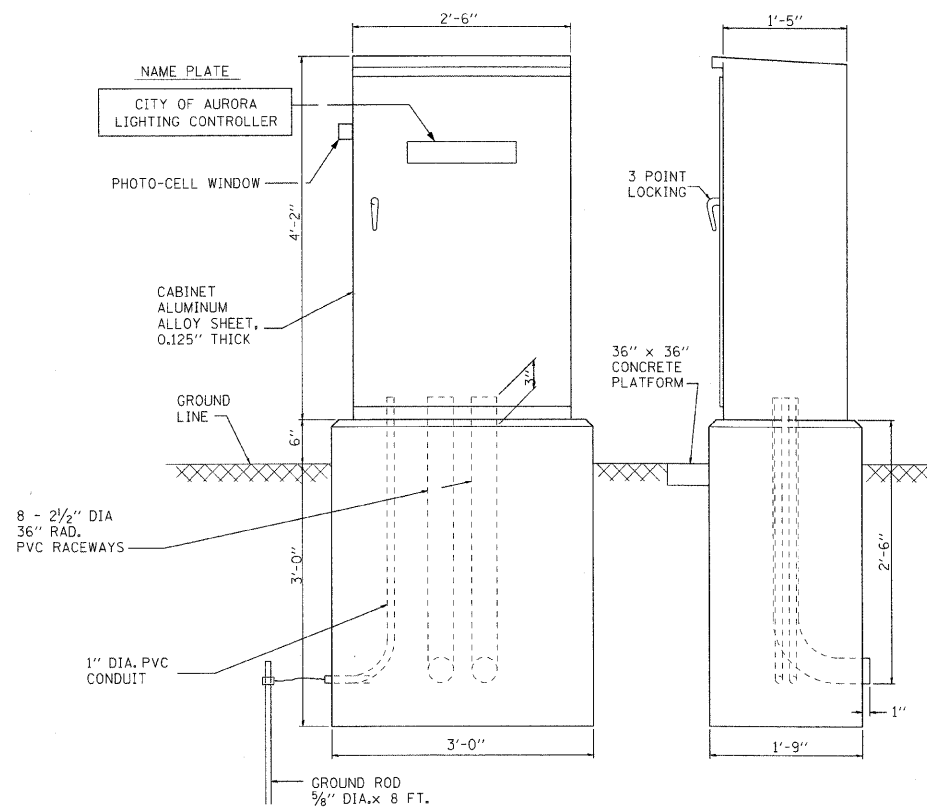


F.A. RTE.	SECTION	COUNTY	TOTAL SHEETS	SHEET NO.
1503	08-00260-01-PV	KANE	176	104



CONTROL CABINET - CONSOLE TYPE

NOTES

THE CABINET SHALL BE FABRICATED FROM 0.125" THICK ALUMINUM ALLOY SHEET AND SHALL BE REINFORCED WITH ALUMINUM ANGLES. THE CABINET DOOR SHALL BE NEMA TYPE 3 CONSTRUCTION WITH NEOPRENE GASKET. THE DOOR SHALL HAVE STAINLESS STEEL HINGES AND THREE POINT LOCKING SYSTEM.

THE CONTRACTOR SHALL REMOVE VEGETATION AND TOPSOIL, LEVEL THE AREA IN FRONT OF THE CONTROL CABINET DOOR AND PLACE LENGTH WISE, PARALLEL TO CONTROL CABINET, A PRECAST PAD, 36"x60"x3" MINIMUM SIZE. THE COST OF LABOR AND MATERIALS SHALL BE INCIDENTAL TO THE CONTROL CABINET.

CONTROL WIRE SHALL BE #12 AWG, 600V, TYPE "SIS" STRANDED COPPER GRAY SWITCH BOARD WIRE. THE ENDS OF ALL CONTROL WIRES SHALL BE IDENTIFIED.

ALL CONTROL CABINET ITEMS SHALL HAVE SUITABLE IDENTIFICATION. OPEN CIRCUIT BREAKERS, CONTACTORS AND OTHER OPEN DEVICES SHALL HAVE PERMANENT SELF STICKING TAGS. DEVICES IN ENCLOSURES SHALL HAVE ENGRAVED 2-COLOR LAMINATED PLASTIC NAMEPLATES ATTACHED TO ENCLOSURES WITH SCREWS. NAMEPLATES SHALL BE ENGRAVED TO CORRESPOND TO DESIGNATIONS ON THE DRAWINGS. INTERNAL CABINET WIRING SHALL BE IDENTIFIED AS INDICATED OR AS DIRECTED BY THE ENGINEER BY MEANS OF SELF-STICKING TAGS APPLIED AT EACH CONNECTED END. IDENTIFICATION SHALL BE MADE BY THE CABINET MANUFACTURER.

ALL WIRING WITHIN THE CABINET SHALL BE COLOR CODED AS INDICATED.
 R = RED BL = BLUE W = WHITE
 B = BLACK Y = YELLOW G = GREEN

PROVIDE SEALING GROMMETS FOR ALL OPEN WIRING EXTENDED FROM DEVICES IN BOXES OR CABINETS WITHIN THE CONTROL CABINET.

ALL 120 VOLT SYSTEM CONTROL WIRING SHALL BE #12 AWG STRANDED UNLESS OTHERWISE INDICATED.

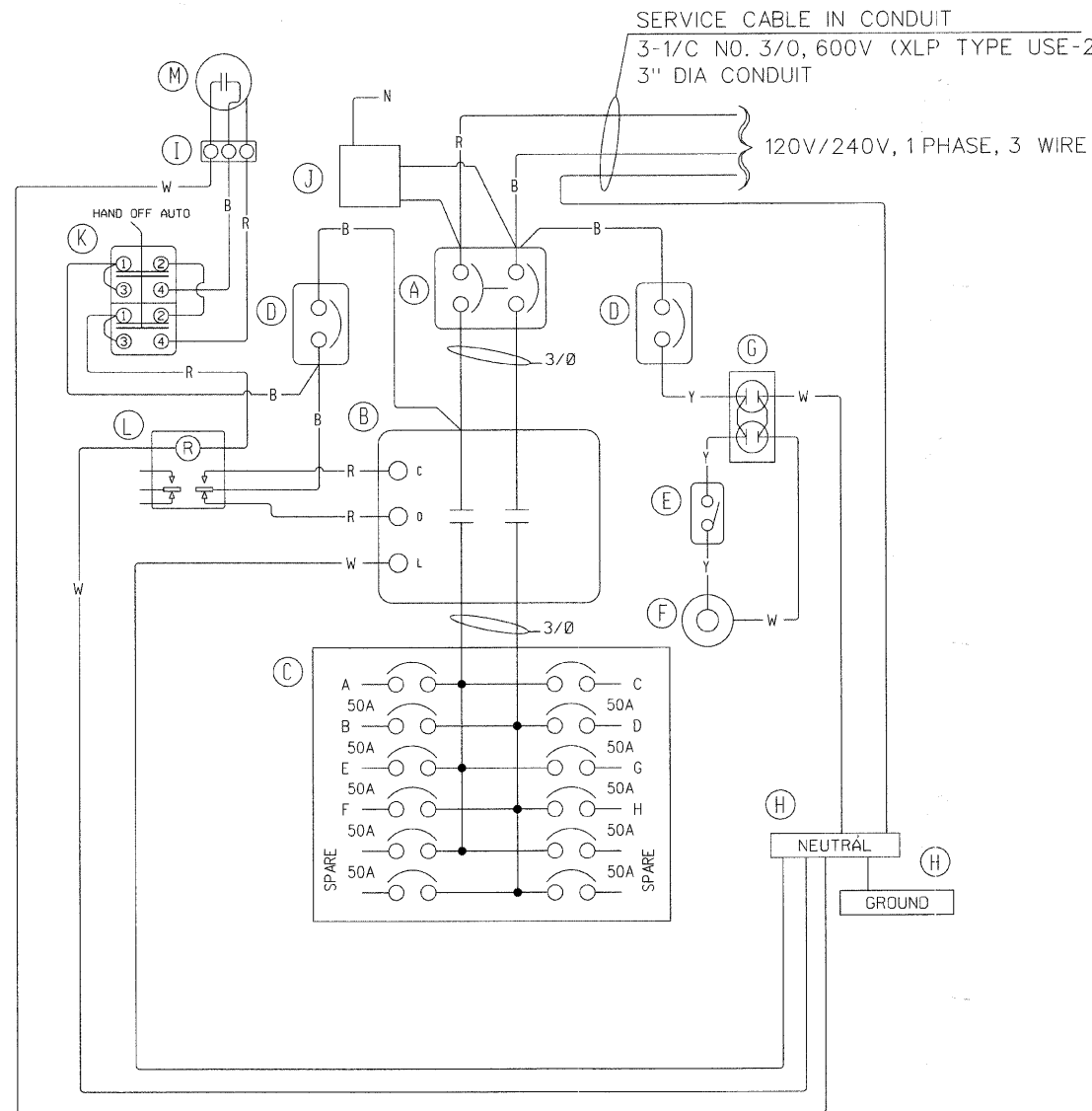
THE HEADS OF CONNECTOR SCREWS SHALL BE PAINTED WHITE FOR NEUTRAL BUSS CONNECTION AND GREEN FOR GROUND BUSS CONNECTORS.

PROVIDE SEALING GROMMETS FOR ALL OPEN WIRING EXTENDED FROM DEVICES IN BOXES WITHIN THE CONTROL CABINET.

ALL WIRING SHALL BE NEATLY DRESSED AND SUPPORTED.

THE CONTROLLER SHALL BE CONSTRUCTED TO U.L. STD. 508 AND BEAR THE U.L. LABEL "ENCLOSED INDUSTRIAL CONTROL PANEL".

PROVIDE A HOLDER AND WATERPROOF POUCH ON THE INNER SIDE OF THE CONTROLLER DOOR. THE HOLDER AND POUCH SHALL BE MOUNTED SO THAT RAIN WATER OR CONDENSED WATER CANNOT ENTER THE POUCH WITH THE CABINET DOOR OPEN. FURNISH THE APPROVED COPY OF THE "CONTROL CABINET WIRING DIAGRAM".



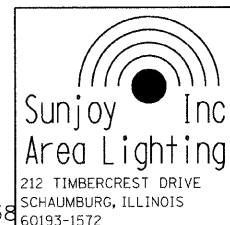
PANEL WIRING DIAGRAM
 200 AMPERE, 120/240 VOLT, 1 PHASE, 3 WIRE

POWER WIRING RHH/RHW
 CONTROL WIRING #12 MTW
 NEUTRAL BUS COLOR CODED WHITE
 GROUND BUS COLOR CODED GREEN
 UL LISTED

BL = BLUE
 W = WHITE
 B = BLACK
 R = RED
 Y = YELLOW

DEVICE SCHEDULE

ITEM	QUANT.	DESCRIPTION
(A)	1	CIRCUIT BREAKER, MOLDED CASE, THERMAL MAGNETIC, 2-POLE, 600V. A.C., 225A. FRAME, 200A. NON-INTERCHANGABLE TRIP, BOLT-ON TYPE; INTERRUPTING CAPACITY OF NOT LESS THAN 65,000 RMS SYMMETRICAL AMPERES AT 240V.
(B)	1	LIGHTING CONTACTOR (REMOTE CONTROL SWITCH) MECHANICALLY HELD, ASCO 920, MOUNTED ON SUB PANEL, 200A., 2P., 600V. WITH 120V. COIL.
(C)	1	PANELBOARD (INTERIOR ONLY) 240/1200V. SINGLE PHASE WITH 200A. COPPER MAINS AND TWELVE IP-50A BOLT-ON BRANCH BREAKERS EACH RATED 277V. WITH INTERRUPTING CAPACITY OF NOT LESS THAN 14,000 RMS SYMMETRICAL AMPERES AT 277V.
(D)	2	CIRCUIT BREAKER, MOLDED CASE, THERMAL MAGNETIC, 1-POLE, 277V., BOLT-ON TYPE WITH AN INTERRUPTING RATING OF NOT LESS THAN 14,000 RMS SYMMETRICAL AMPERES AT 277V.
(E)	1	MICRO SWITCH (MOUNT WITH ACTUATOR TO SWITCH WHEN DOOR OPENED)
(F)	1	60 WATT LIGHT FIXTURE, VAPORTIGHT, WITH GLOBE AND GUARD AND MOUNTING BOX.
(G)	1	GFI RECEPTACLE, 120V., 15A., PREMIUM SPEC. GRADE. NEMA REFERENCE 5-15R IN WEATHER-PROOF BOX WITH FLAP-TYPE COVER.
(H)	2	GROUND AND NEUTRAL BUS
(I)	1	3 POINT TERMINAL BLOCK
(J)	1	SURGE ARRESTOR, 600 V
(K)	1	HOA SWITCH
(L)	1	CONTROL RELAY 120V
(M)	1	PHOTOCELL



ILLINOIS DEPARTMENT OF TRANSPORTATION
CITY OF AURORA, KANE COUNTY
INDIAN TRAIL ROAD
LIGHTING CONTROLLER, CONSOLE TYPE
200 AMP, 120/240 VOLT, 1 PHASE, 3 WIRE

SCALE: NONE
 DATE: 06-03-08

DRAWN BY: HKQ
 CHECKED BY: JS