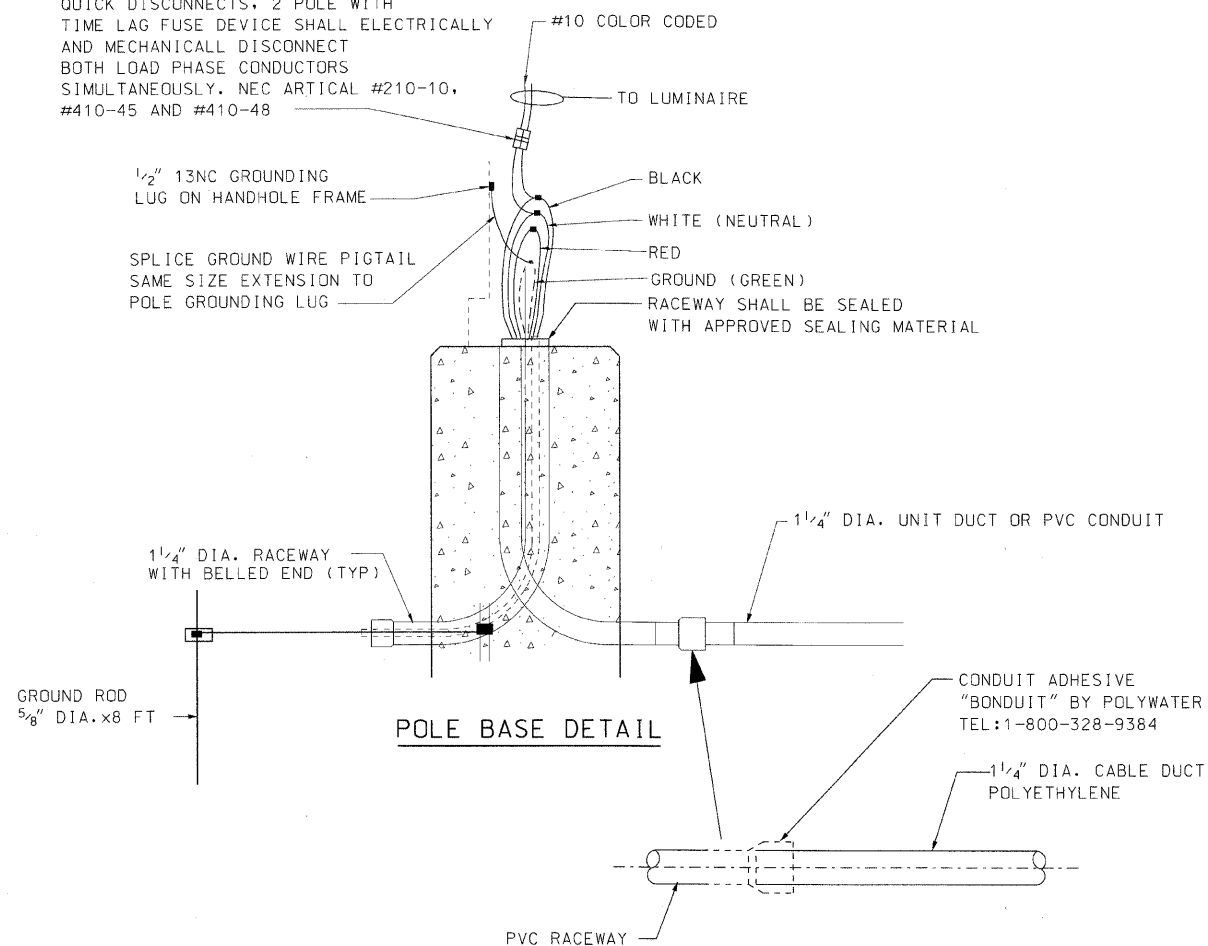


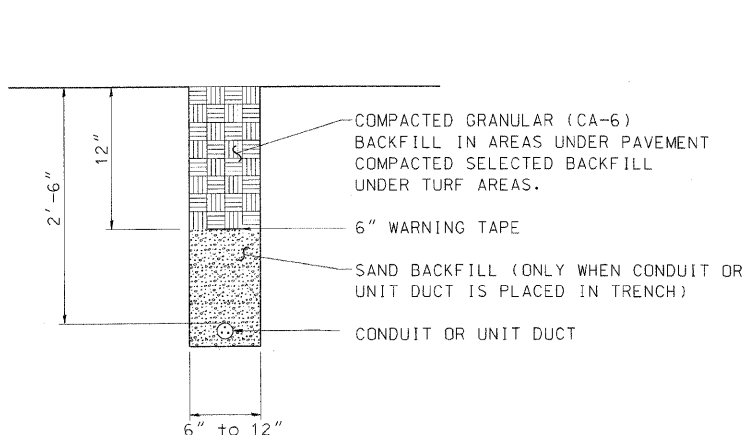
F.A. RTG.	SECTION	COUNTY	TOTAL SHEETS	SHEET NO.
1503	08-00260-01-PV	KANE	176	106

QUICK DISCONNECTS, 2 POLE WITH TIME LAG FUSE DEVICE SHALL ELECTRICALLY AND MECHANICALLY DISCONNECT BOTH LOAD PHASE CONDUCTORS SIMULTANEOUSLY. NEC ARTICAL #210-10, #410-45 AND #410-48

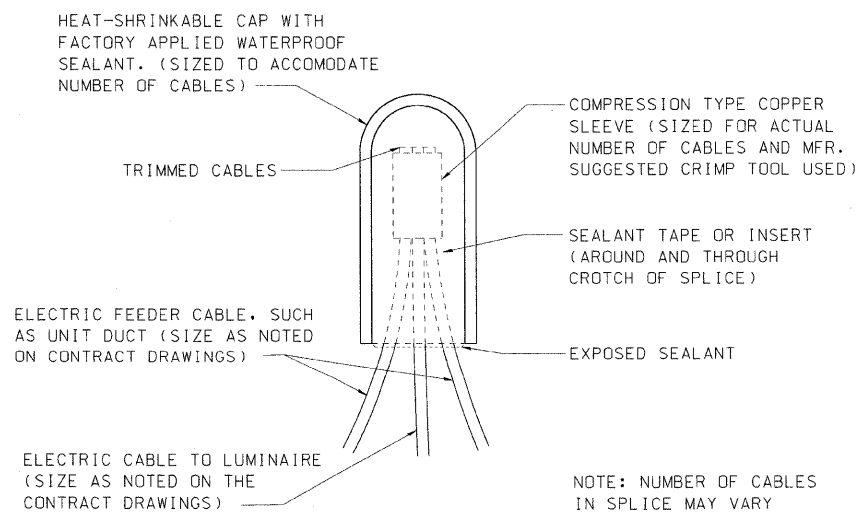


POLE BASE DETAIL

PVC RACEWAY AND POLYETHYLENE UNIT DUCT/PVC CONDUIT JOINT CONNECTION DETAILS

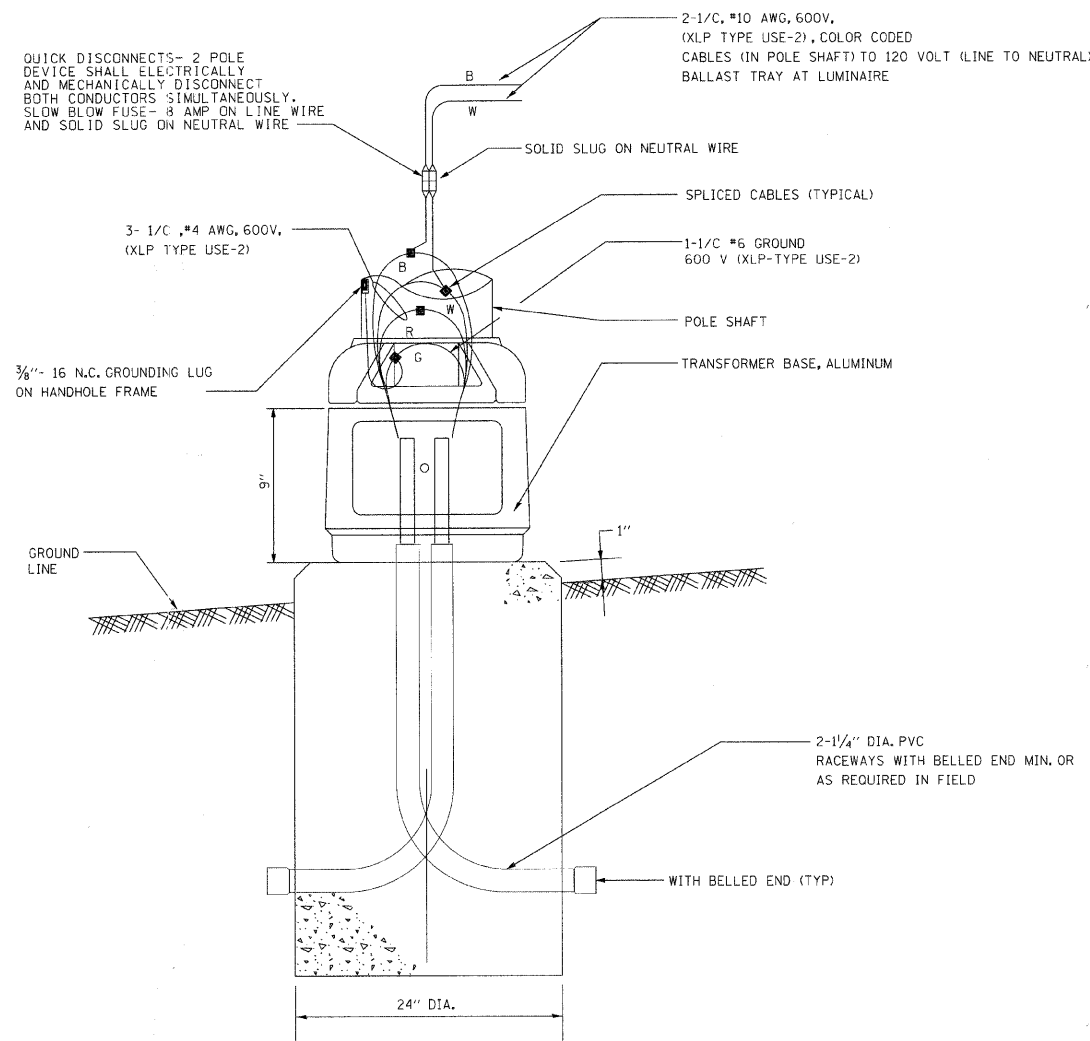


TRENCH AND BACKFILL

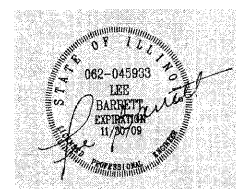


SPLICING ELECTRIC CABLE

NOTE: NUMBER OF CABLES IN SPLICE MAY VARY



POLE BASE WIRING WITH QUICK DISCONNECTS AND BREAKAWAY DEVICE TRANSFORMER BASE, U/L LISTED



Sunjoy Inc.
Area Lighting
212 TIMBERCREST DRIVE
SCHAUMBURG, ILLINOIS
60193-1572

ILLINOIS DEPARTMENT OF TRANSPORTATION
CITY OF AURORA, KANE COUNTY
INDIAN TRAIL ROAD
ELECTRICAL DETAILS

SCALE: NONE
DATE: 06-03-08

DRAWN BY: HKQ
CHECKED BY: JS