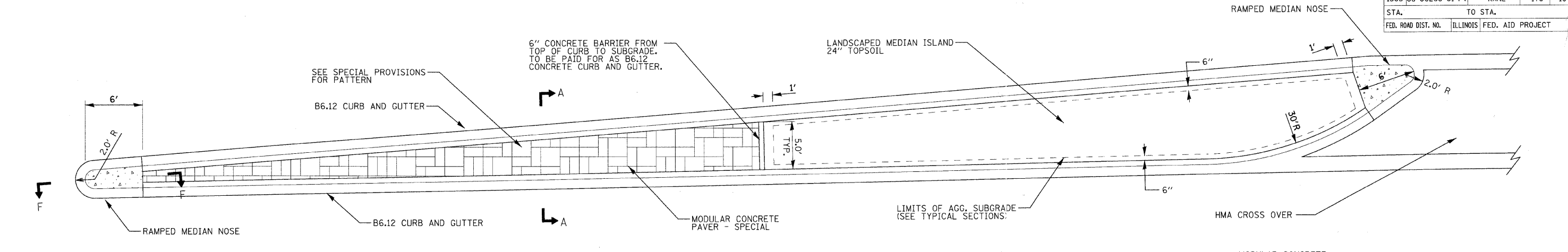
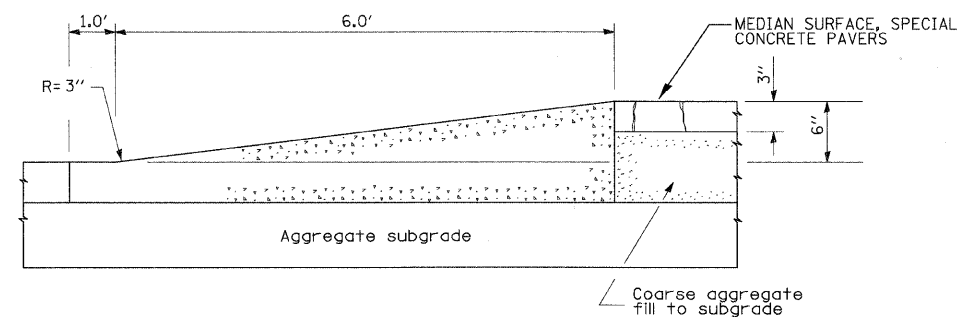


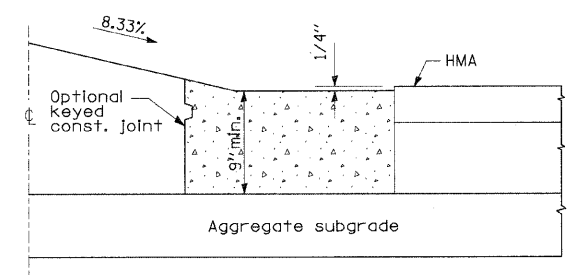
F.A.U. RTE.	SECTION	COUNTY	TOTAL SHEETS	SHEET NO.
1503	08-00260-01-PV	KANE	176	107
STA.	TO STA.			
FED. ROAD DIST. NO.	ILLINOIS	FED. AID PROJECT		



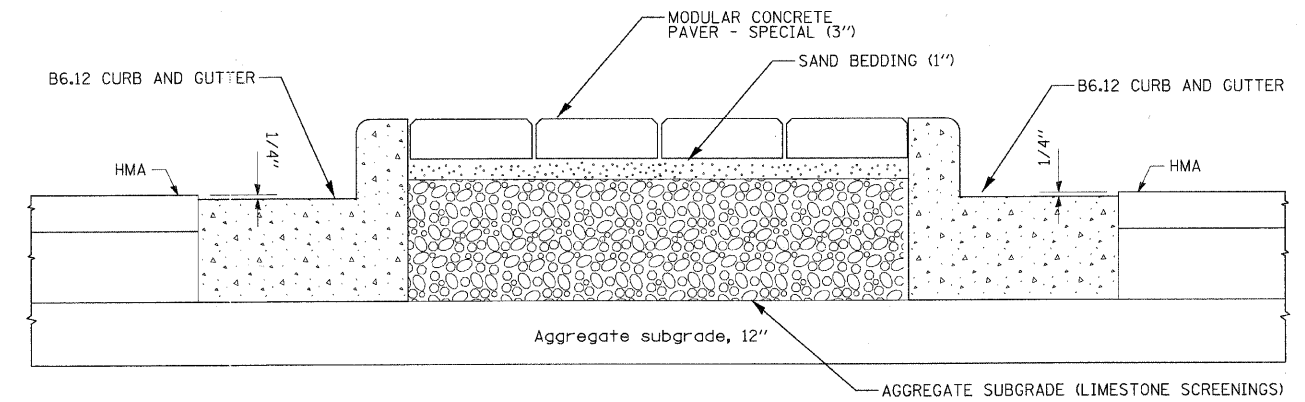
TYPICAL PLAN OF MEDIAN ISLAND



SECTION F-F

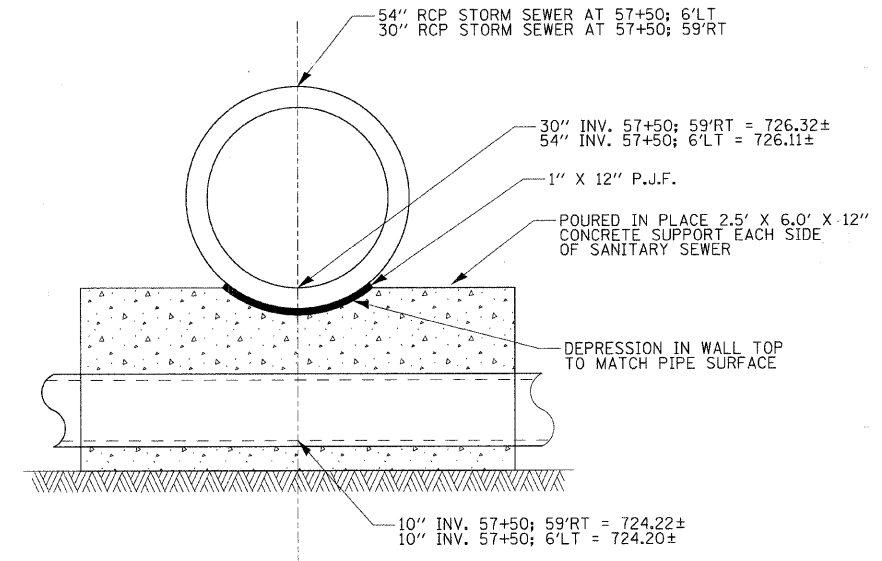
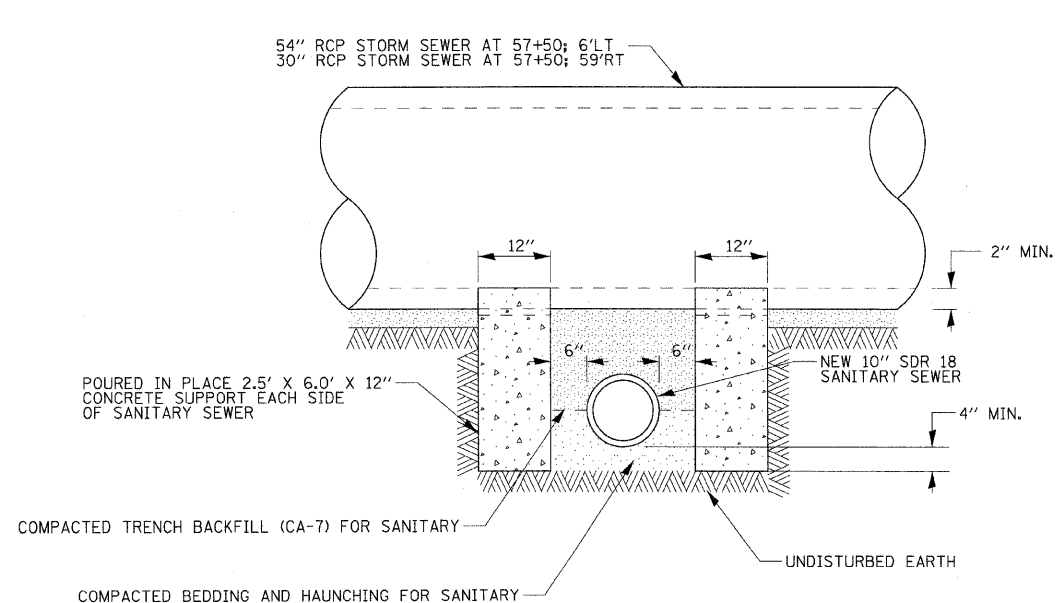


HALF SECTION FOR FLEXIBLE PAVEMENT



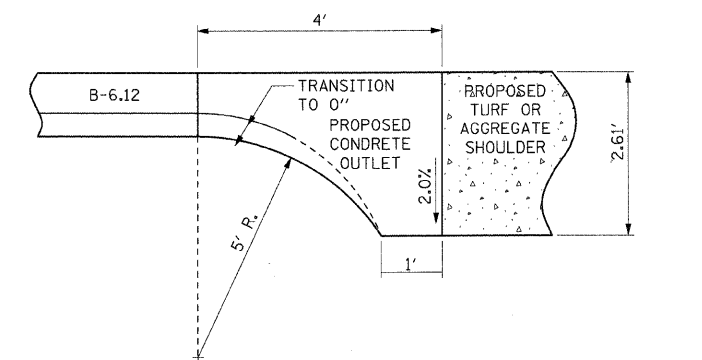
SECTION A-A

NOTE: MEDIAN SURFACES SHALL BE SLOPED OR CROWNED TO ASSURE POSITIVE DRAINAGE.



ALL LOCATIONS AND ELEVATIONS SHALL BE FIELD VERIFIED AND SUPPORT WALLS SHALL NOT BE CONSTRUCTED WITHOUT APPROVAL OF THE ENGINEER.

CONCRETE SUPPORT WALLS SHALL NOT BE PAID FOR SEPARATELY BUT SHALL BE CONSIDERED INCLUDED IN THE COST OF THE CONTRACT ITEM, "SANITARY SEWER REMOVAL AND REPLACEMENT 10'".



CURB AND GUTTER TRANSITION DETAIL - OUTLET

RCP STORM SEWER PIPE SUPPORT DETAIL FOR CROSSING SANITARY SEWER AT STA. 57+50: 6'LT and 59'RT

RHA&A
Robert H. Anderson & Associates, Inc.
Consulting Engineers & Land Surveyors
License No. 184-005281
Phone No. 630-584-3530

REVISIONS		ILLINOIS DEPARTMENT OF TRANSPORTATION
NAME	DATE	
		CONSTRUCTION DETAILS

SCALE: VERT. NONE
HORIZ. NONE
DATE: 1/7/09
DRAWN BY: CHECKED BY: TC/SBP

PLOT DATE = 5/26/2009
 PLOT SCALE = NONE
 USER NAME = USER