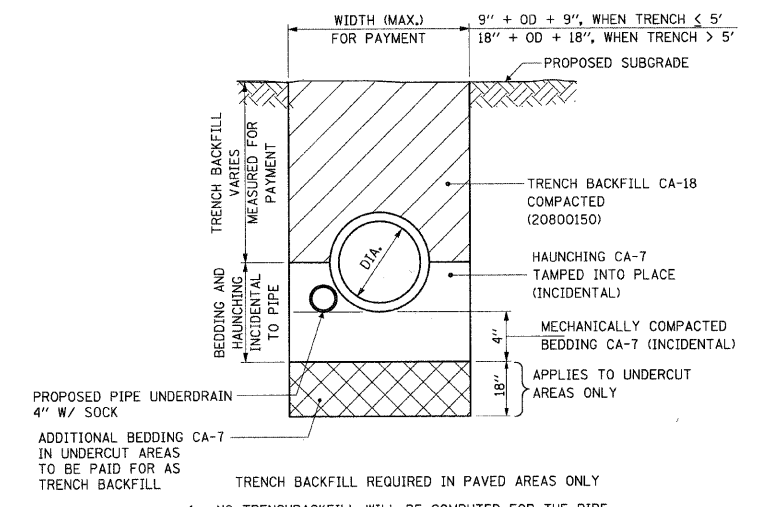
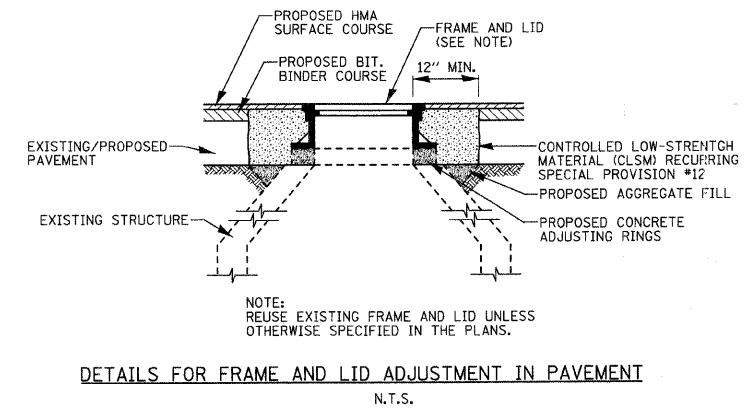
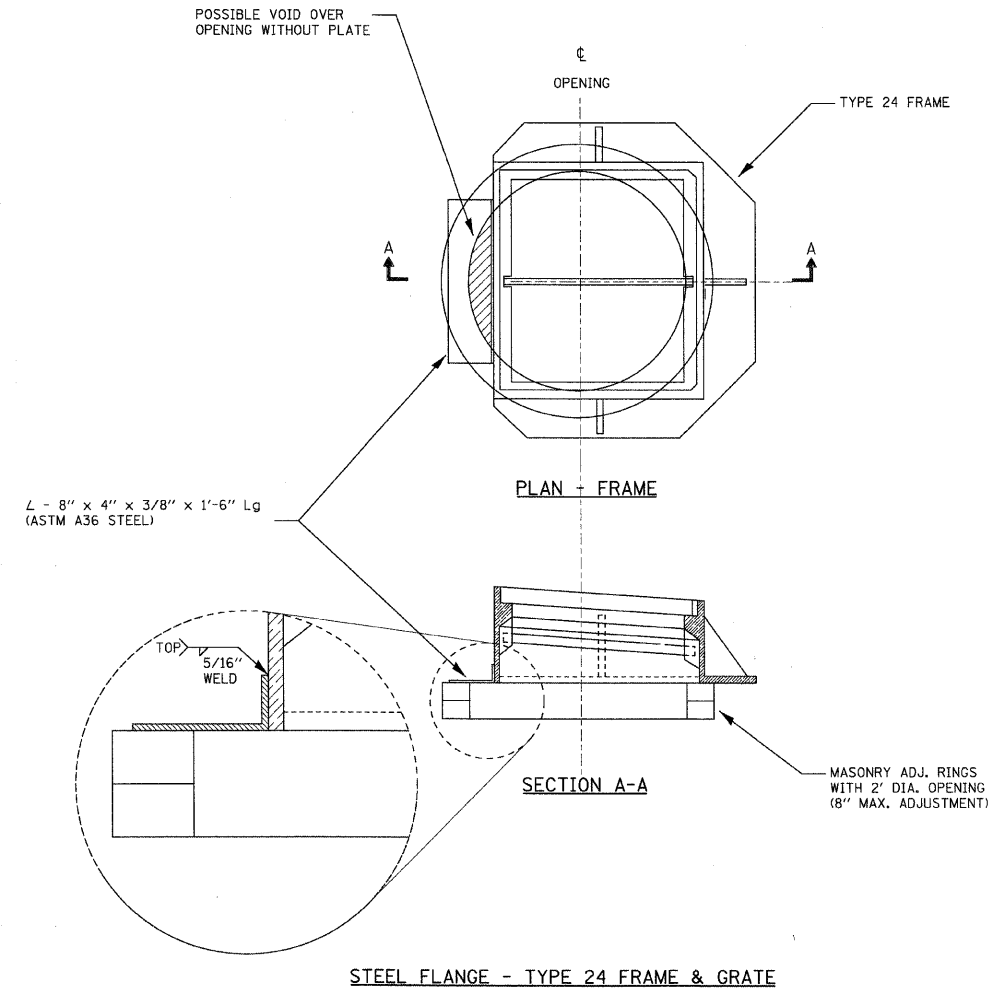
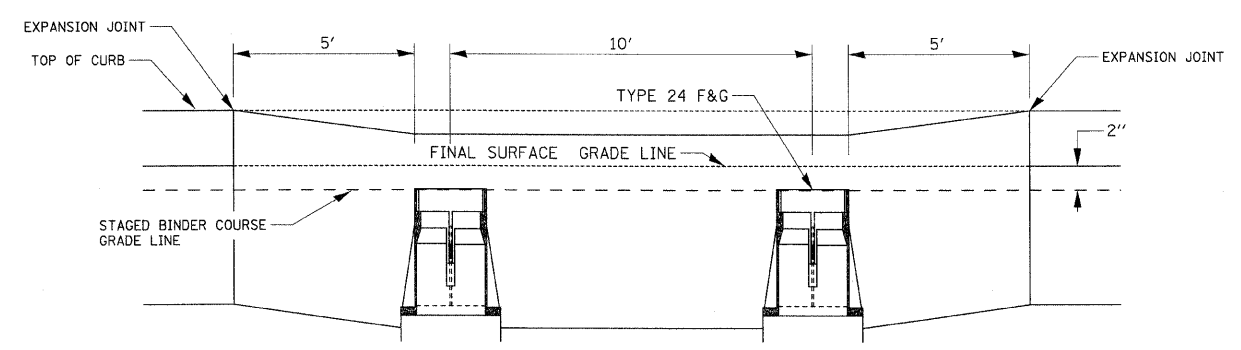


F.A.U. RTE.	SECTION	COUNTY	TOTAL SHEETS	SHEET NO.
1503	08-00260-01-PV	KANE	176	109
STA.		TO STA.		
FED. ROAD DIST. NO.		ILLINOIS FED. AID PROJECT		

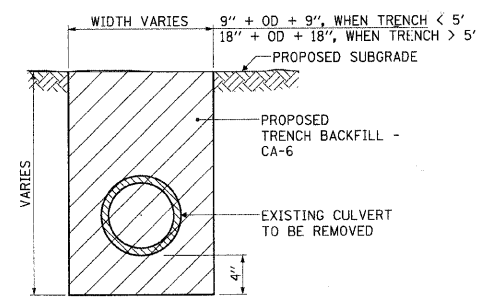


PROPOSED TRENCH - STORM SEWER WITH UNDERDRAIN DETAIL
SEE PLANS FOR UNDERDRAIN LOCATIONS

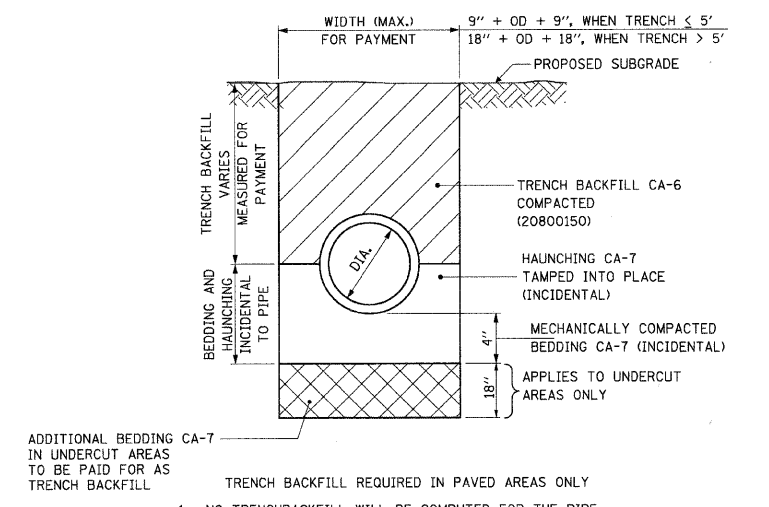


SPECIAL CURB DETAIL FOR STAGED CONSTRUCTION
(SAG LOCATION ILLUSTRATED)

STATION	OFFSET	STRUCTURE NO.
46+07	30' LT	(112)
46+17	30' LT	(113)
46+17	30' RT	(114)
46+07	30' RT	(115)
72+05	30' LT	(226)
72+05	30' RT	(228)



TRENCH BACKFILL - EXISTING CULVERT REMOVAL
TRENCH BACKFILL REQUIRED IN PAVED AREAS ONLY



PROPOSED TRENCH - STORM SEWER
TRENCH BACKFILL REQUIRED IN PAVED AREAS ONLY
1. NO TRENCHBACKFILL WILL BE COMPUTED FOR THE PIPE UNDERDRAIN THAT IS IN THE SAME TRENCH AS THE STORM SEWER.

PLOT DATE = 1/5/2009
 FILE NAME = H:\Aurora\120059_11\PH1\Civil\Sheet\Details_Misc03.dgn
 PLOT SCALE = NONE
 USER NAME = USER



REVISIONS	
NAME	DATE

ILLINOIS DEPARTMENT OF TRANSPORTATION

CONSTRUCTION DETAILS

SCALE: VERT. NONE
HORIZ. NONE

DATE: 1/7/09

DRAWN BY: TC/SBP
CHECKED BY: TC/SBP