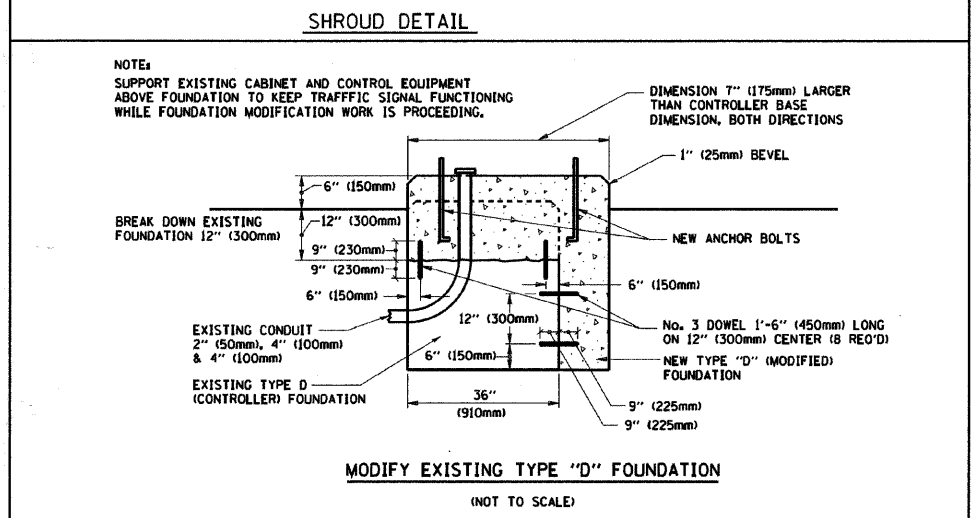
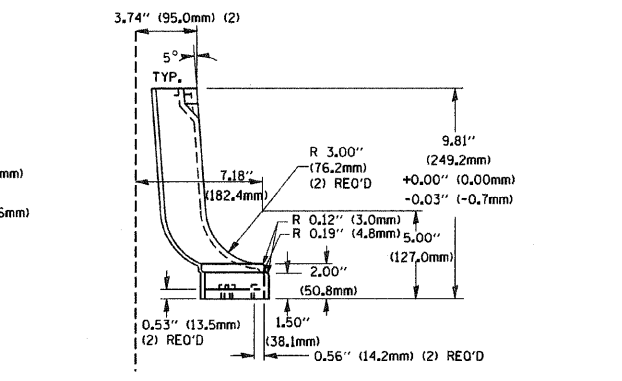
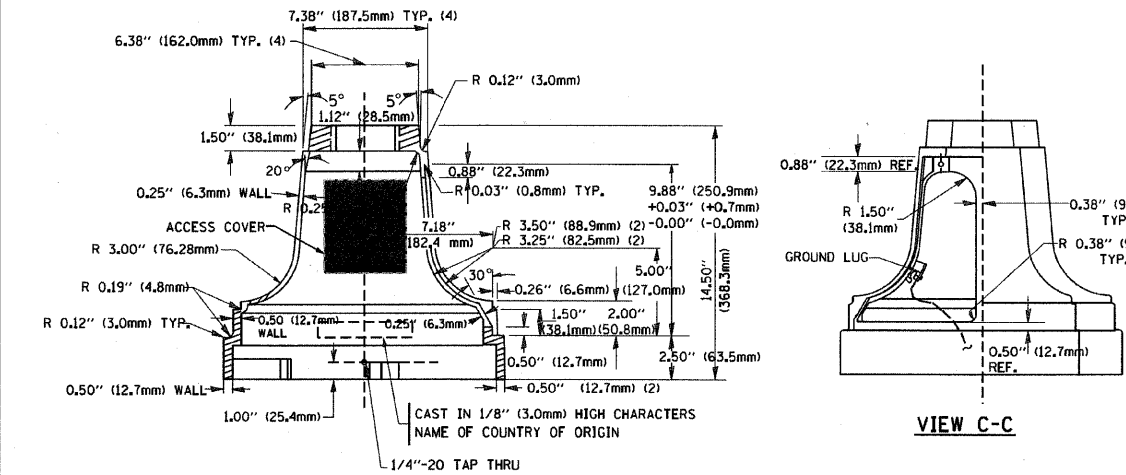
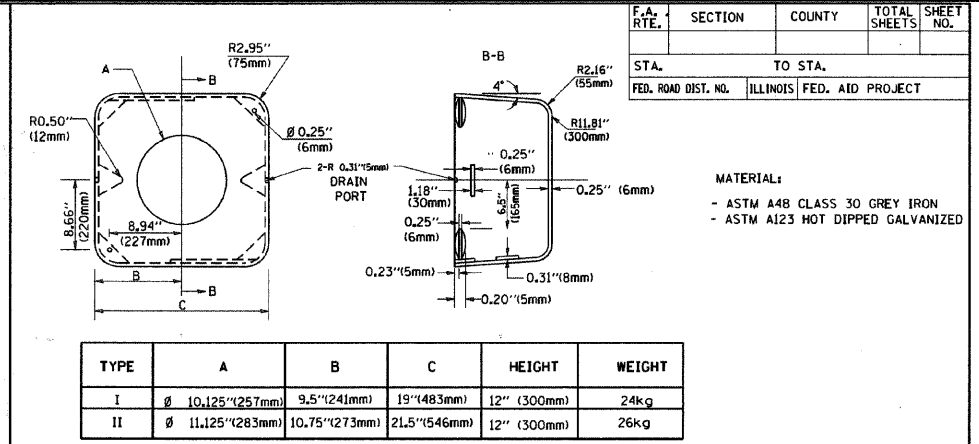
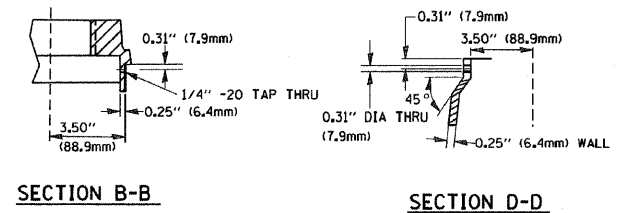
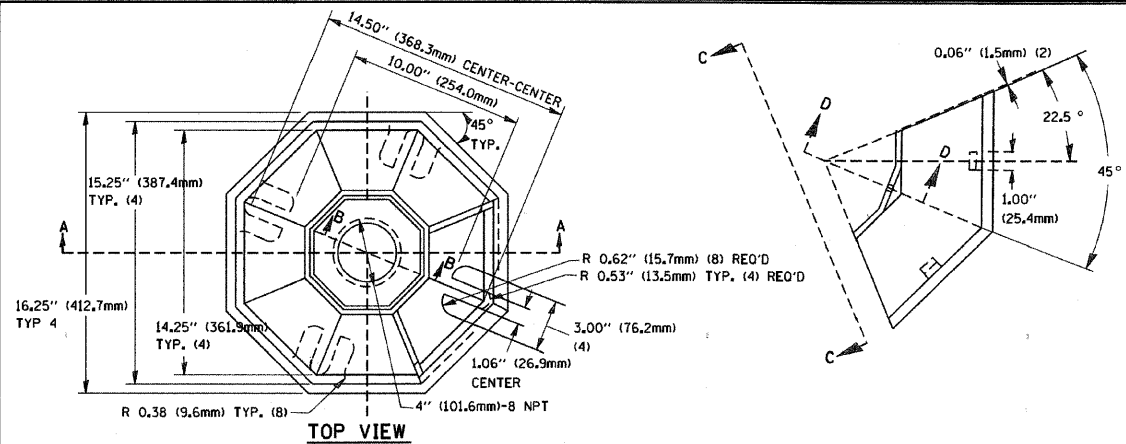
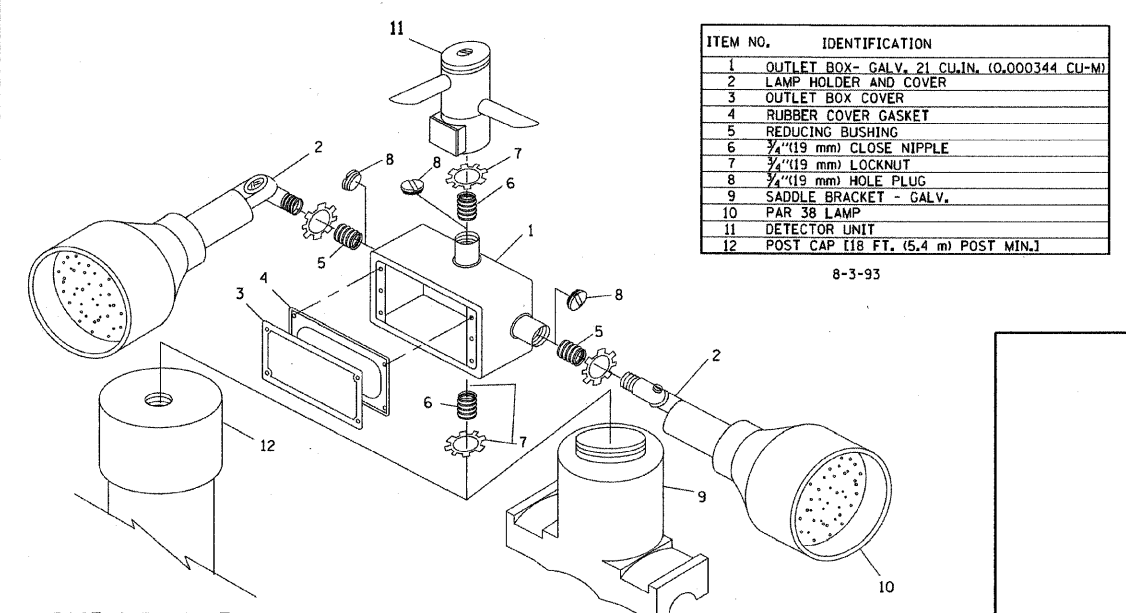


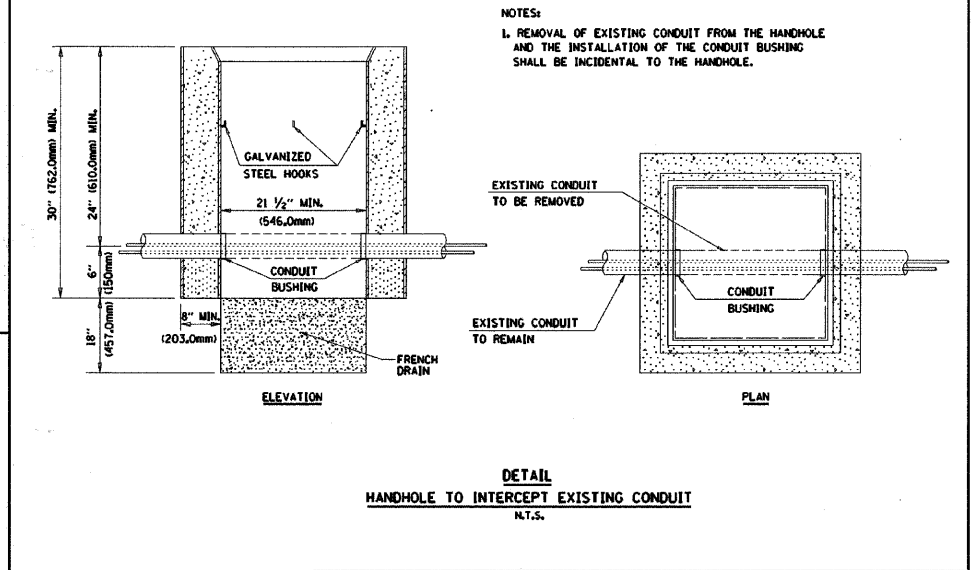
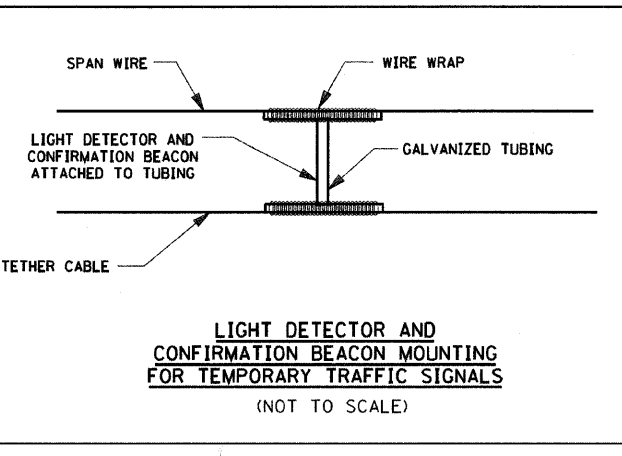
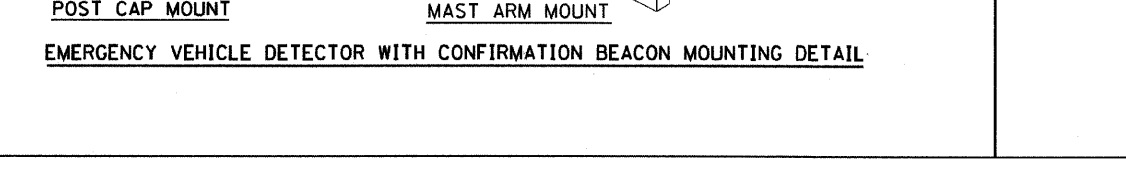
DATE: _____
 BY: _____
 SURVEYED _____
 PLOTTED _____
 CHECKED _____
 RT. OF WAY CHECKED _____
 NOTE BOOK _____
 NO. _____
 FILE NAME _____



DATE: _____
 BY: _____
 SURVEYED _____
 PLOTTED _____
 CHECKED _____
 RT. OF WAY CHECKED _____
 NOTE BOOK _____
 NO. _____
 FILE NAME _____



NOTES:
 1. ALL ELECTRICAL ITEMS, EXCEPT ITEMS #2 AND #11 SHALL BE ALUMINUM OR GALVANIZED
 2. ITEM #1- OZ/GEDNEY FSX-1-50 OR EQUIVALENT
 ITEM #2- MULBERRY CON-O-SHADE LAMP SHIELD OR EQUIVALENT
 ITEM #9- "BAND-IT" SADDLE BRACKET OR EQUIVALENT
 3. WHEN POST MOUNTING IS SPECIFIED, ITEM #9 SHALL NOT BE REQUIRED. THE DETECTION UNIT SHALL BE MOUNTED DIRECTLY ON TOP OF THE CAP BY DRILLING AND TAPPING A 3/4" (19 mm) HOLE WITH PIPE THREADS. THE POST CAP SHALL EITHER BE SCREWED TO THE TOP OF THE POST OR A MINIMUM OF 3 TIGHTENING SCREWS SHALL BE REQUIRED ON EACH CAP.



REVISIONS	
NAME	DATE
BUREAU OF TRAFFIC	5/30/00
BUREAU OF TRAFFIC	3/15/01
BUREAU OF TRAFFIC	11/12/01
BUREAU OF TRAFFIC	1-01-02

ILLINOIS DEPARTMENT OF TRANSPORTATION
 DISTRICT ONE
 STANDARD TRAFFIC SIGNAL
 DESIGN DETAILS

SCALE: NONE
 DATE: 2/15/2006

DRAWN BY: RWP
 DESIGNED BY: DAD
 CHECKED BY: DAZ
 SHEET 4 OF 4

TS05
 REVISION DATE: 01/01/02

FILE NAME = #FILEL\$	USER NAME = \$USER\$	DESIGNED -	REVISED -
		DRAWN BAH	REVISED -
		CHECKED APS	REVISED -
		DATE JAN 16 2009	REVISED -

STATE OF ILLINOIS
 DEPARTMENT OF TRANSPORTATION

DISTRICT ONE
 STANDARD TRAFFIC SIGNALS
 DESIGN DETAILS

SCALE: SHEET NO. OF SHEETS STA. TO STA.

F.A.U. RTE. 2503	SECTION 08-00272-00-TL	COUNTY KANE	TOTAL SHEETS 40	SHEET NO. 8
CONTRACT NO. 63177			FED. ROAD DIST. NO. ILLINOIS FED. AID PROJECT	