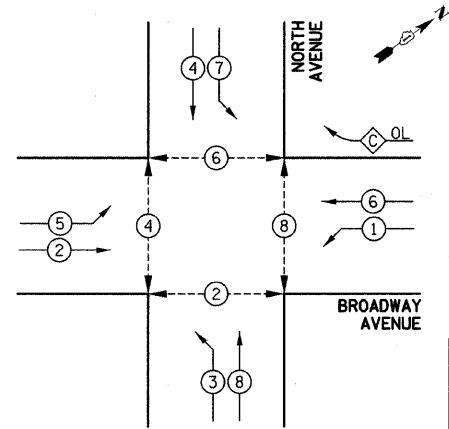


DATE: _____
 BY: _____
 SURVEYED _____
 PLOTTED _____
 CHECKED _____
 NOTE BOOK _____
 NO. _____

DATE: _____
 BY: _____
 SURVEYED _____
 PLOTTED _____
 CHECKED _____
 NOTE BOOK _____
 NO. _____

TEMPORARY CONTROLLER SEQUENCE



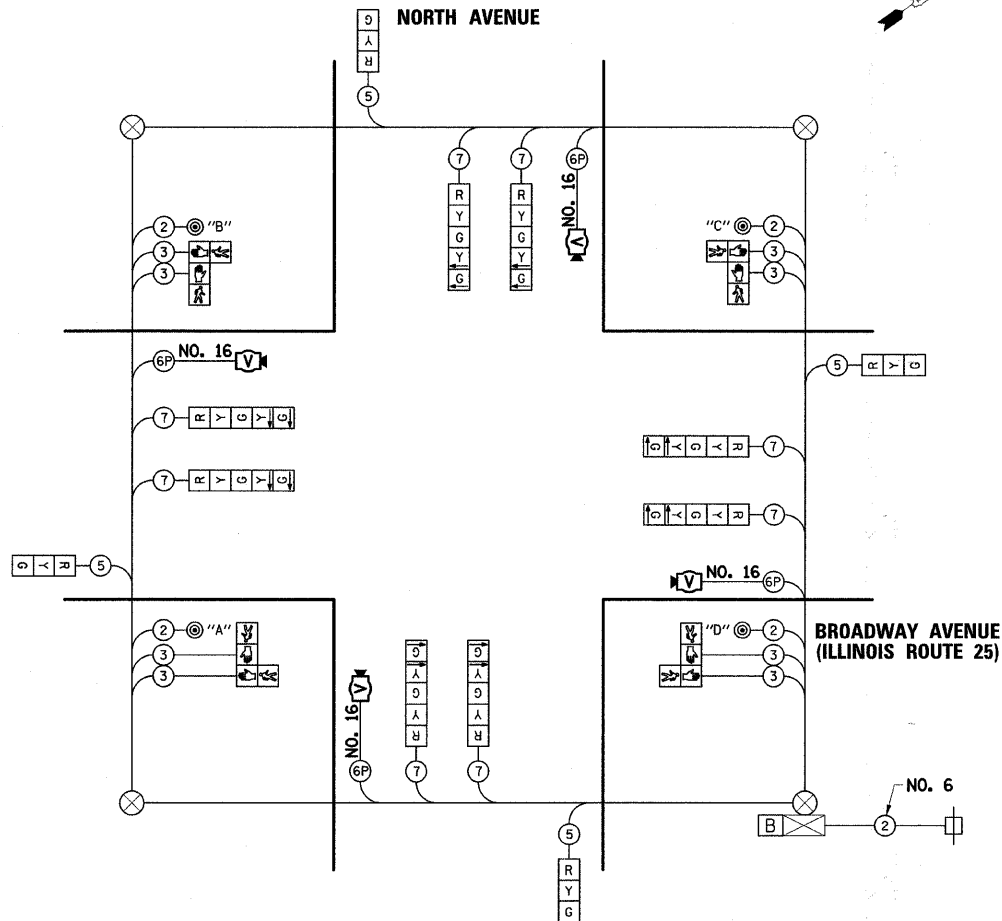
OVERLAP PHASE C = 6 + 7

CONTROLLER SEQUENCE LEGEND

- ← ⊕ → DUAL ENTRY PHASE
- ← ⊙ → SINGLE ENTRY PHASE
- ← ⊕ ⊙ → OVERLAP
- * NUMBER REFERRING TO ASSOCIATED PHASE
- ← ⊕ → PEDESTRIAN PHASE

TEMPORARY PHASE DESIGNATION DIAGRAM

- PUSHBUTTONS "A" SHALL PLACE A CALL IN PHASES 2 AND 4
- PUSHBUTTONS "B" SHALL PLACE A CALL IN PHASES 4 AND 6
- PUSHBUTTONS "C" SHALL PLACE A CALL IN PHASES 6 AND 8
- PUSHBUTTONS "D" SHALL PLACE A CALL IN PHASES 2 AND 8



TEMPORARY CABLE DIAGRAM LEGEND

- ⊠ TEMPORARY TRAFFIC SIGNAL SECTION OR PEDESTRIAN SIGNAL SECTION 12" (300mm)
- ⊞ TEMPORARY CONTROLLER CABINET
- ⊕ TEMPORARY SERVICE INSTALLATION
- ⊙ INDICATES NUMBER OF CONDUCTORS IN CABLE. ALL CONDUCTORS TO BE NO. 14 AWG WIRE UNLESS OTHERWISE NOTED.
- ⊡ EMERGENCY VEHICLE LIGHT DETECTOR
- ⊢ CONFIRMATION BEACON
- ⊠ VEHICLE DETECTOR, INDUCTION LOOP
- ⊙ PEDESTRIAN PUSHBUTTON DETECTOR
- ⊠ 12" (300mm) PEDESTRIAN SIGNAL SECTION
- ⊠ VIDEO DETECTION CAMERA
- ⊠ UNINTERRUPTIBLE POWER SUPPLY

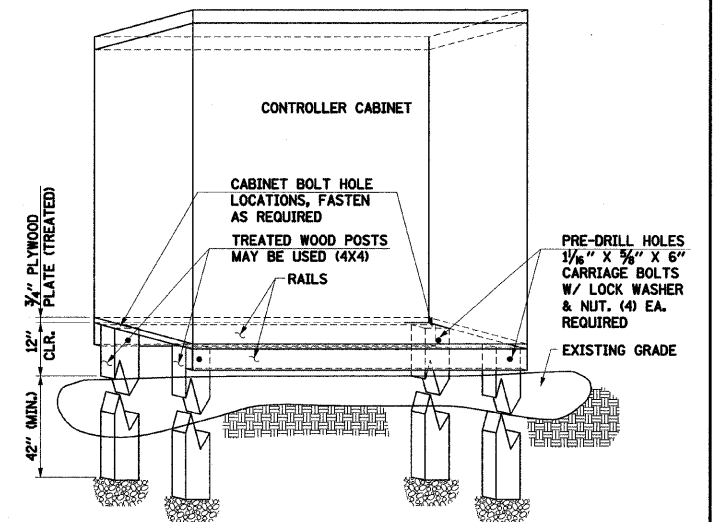
I.D.O.T TRAFFIC SIGNAL INSTALLATION ELECTRICAL SERVICE REQUIREMENTS					TOTAL WATTAGE
TYPE	NO. LAMPS	WATTAGE		% OPERATION	
		INCAND.	LED		
SIGNAL (RED)	12		17	0.50	102
(YELLOW)	12		25	0.25	75
(GREEN)	12		15	0.25	45
ARROW	16		12	0.10	19.2
PED. SIGNAL	8		25	1.00	200
CONTROLLER	1		100	1.00	100
VIDEO SYSTEM	1		15	1.00	15
UPS	1		25	1.00	25
TOTAL =					581.2

ENERGY COSTS TO: CITY OF AURORA
 44 E. DOWNER PLACE
 AURORA, ILLINOIS 60507-2067

ENERGY SUPPLY CONTACT: MARK SCHERIBEL
 PHONE: (630) 723-2128
 COMPANY: COMMONWEALTH EDISON

CONTROLLER CABINET TYPE AND DIMENSIONS VARY. THE CONTRACTOR SHALL BE RESPONSIBLE FOR CORRECT CABINET DIMENSIONS PRIOR TO THE CONSTRUCTION OF THE CABINET MOUNTING PLATFORM SHOWN BELOW.

CABINET PLATFORM LEGS AND RAILS SHALL BE CONSTRUCTED OF 2" X 6" TREATED WOOD TO RESIST WEATHERING.



TEMPORARY SIGNAL CONTROLLER WOOD SUPPORT PLATFORM DETAIL
 (NOT TO SCALE)