

CODED PAY ITEM NO.	ITEM	UNIT	TOTAL QUANTITY	1000-2A	Y007	Y031-1F	Y030-1E	Y060
				ROADWAY	CULVERT	TRAFFIC SIGNALS	LIGHTING	WATERMAIN
				80% FEDERAL / 20% LOCAL	80% FEDERAL / 20% LOCAL	80% FEDERAL / 20% LOCAL	80% FEDERAL / 20% LOCAL	80% FEDERAL / 20% LOCAL
X 78001180	PAINT PAVEMENT MARKING - LINE 24"	FOOT	35	35				
X 78100100	RAISED REFLECTIVE PAVEMENT MARKER	EACH	259	259				
X 78300100	PAVEMENT MARKING REMOVAL	SQFT	1202	1202				
X 78300200	RAISED REFLECTIVE PAVEMENT MARKER REMOVAL	EACH	40	40				
X 81000600	CONDUIT IN TRENCH, 2" DIA., GALVANIZED STEEL	FOOT	753			753		
X 81000700	CONDUIT IN TRENCH, 2 1/2" DIA., GALVANIZED STEEL	FOOT	262			262		
X 81000800	CONDUIT IN TRENCH, 3" DIA., GALVANIZED STEEL	FOOT	40			40		
X 81001000	CONDUIT IN TRENCH, 4" DIA., GALVANIZED STEEL	FOOT	319			319		
X 81001100	CONDUIT IN TRENCH, 5" DIA., GALVANIZED STEEL	FOOT	53			53		
X 81018500	CONDUIT PUSHED, 2" DIA., GALVANIZED STEEL	FOOT	466			166	300	
X 81018900	CONDUIT PUSHED, 4" DIA., GALVANIZED STEEL	FOOT	478			478		
X 81019000	CONDUIT PUSHED, 5" DIA., GALVANIZED STEEL	FOOT	103			103		
X 81400100	HANDHOLE	EACH	11			8	3	
X 81400200	HEAVY-DUTY HANDHOLE	EACH	7			7		
X 81400300	DOUBLE HANDHOLE	EACH	3			3		
X 81800340	AERIAL CABLE, 3-1/C NO. 8 WITH MESSENGER WIRE	FOOT	671				671	
X 81900200	TRENCH AND BACKFILL FOR ELECTRICAL WORK	FOOT	1208			1208		
X 84100110	REMOVAL OF TEMPORARY LIGHTING UNITS	EACH	22				22	
X 84200500	REMOVAL OF EXISTING LIGHTING UNIT, SALVAGE	EACH	4				4	
X 84200600	REMOVAL OF EXISTING LIGHTING UNIT, NO SALVAGE	EACH	11				11	
X 84200700	LIGHTING FOUNDATION REMOVAL	EACH	17				17	
X 84500110	REMOVAL OF LIGHTING CONTROLLER	EACH	1				1	
X 84500120	REMOVAL OF ELECTRIC SERVICE INSTALLATION	EACH	1				1	
X 84500130	REMOVAL OF LIGHTING CONTROLLER FOUNDATION	EACH	1				1	
X 85700205	FULL-ACTUATED CONTROLLER AND TYPE IV CABINET, SPECIAL	EACH	1			1		
X 87301215	ELECTRIC CABLE IN CONDUIT, SIGNAL NO. 14 2C	FOOT	2982			2982		
X 87301225	ELECTRIC CABLE IN CONDUIT, SIGNAL NO. 14 3C	FOOT	1377			1377		
X 87301245	ELECTRIC CABLE IN CONDUIT, SIGNAL NO. 14 5C	FOOT	4082			4082		
X 87301255	ELECTRIC CABLE IN CONDUIT, SIGNAL NO. 14 7C	FOOT	3999			3999		
X 87301305	ELECTRIC CABLE IN CONDUIT, LEAD-IN, NO.14 1 PAIR	FOOT	6129			6129		
X 87301805	ELECTRIC CABLE IN CONDUIT, SERVICE, NO. 6 2C	FOOT	24			24		
X 87502480	TRAFFIC SIGNAL POST, GALVANIZED STEEL, 14 FT.	EACH	2			2		

X INDICATES SPECIALTY ITEM

REV. 9-4-09

FILE NAME =	USER NAME =	DESIGNED <i>BLG/KRK</i>	REVISED -	<b>STATE OF ILLINOIS DEPARTMENT OF TRANSPORTATION</b>	<b>SUMMARY OF QUANTITIES</b>		F.A.U. RTE.	SECTION	COUNTY	TOTAL SHEETS	SHEET NO.
		DRAWN <i>BLG/KRK</i>	REVISED -		ESSINGTON ROAD AT HENNEPIN DRIVE AND MALL LOOP DRIVE		0326	06-00130-00-CH	WILL	116	8
		CHECKED <i>DJK</i>	REVISED -		SCALE:	SHEET NO. 5 OF 8 SHEETS	FED. ROAD DIST. NO. 7 ILLINOIS		CONTRACT NO. 63185		
		DATE <i>5-29-09</i>	REVISED -				FED. AID PROJECT M-8003(654)				

X	CODED PAY ITEM NO.	ITEM	UNIT	TOTAL QUANTITY	1000-2A	Y007	Y031-1F	Y030-1E	Y060
					ROADWAY	CULVERT	TRAFFIC SIGNALS	LIGHTING	WATERMAIN
					80% FEDERAL / 20% LOCAL	80% FEDERAL / 20% LOCAL	80% FEDERAL / 20% LOCAL	80% FEDERAL / 20% LOCAL	80% FEDERAL / 20% LOCAL
X	87502490	TRAFFIC SIGNAL POST, GALVANIZED STEEL, 15 FT.	EACH	2			2		
X	87502500	TRAFFIC SIGNAL POST, GALVANIZED STEEL, 16 FT.	EACH	3			3		
X	87502520	TRAFFIC SIGNAL POST, GALVANIZED STEEL, 18 FT.	EACH	1			1		
X	87700180	STEEL MAST ARM ASSEMBLY AND POLE, 28 FT.	EACH	1			1		
X	87700250	STEEL MAST ARM ASSEMBLY AND POLE, 42 FT.	EACH	1			1		
X	87702900	STEEL COMBINATION MAST ARM ASSEMBLY AND POLE, 34 FT.	EACH	1			1		
X	87702920	STEEL COMBINATION MAST ARM ASSEMBLY AND POLE, 38 FT.	EACH	1			1		
X	87702950	STEEL COMBINATION MAST ARM ASSEMBLY AND POLE, 44 FT.	EACH	1			1		
X	87702970	STEEL COMBINATION MAST ARM ASSEMBLY AND POLE, 48 FT.	EACH	1			1		
X	87800100	CONCRETE FOUNDATION, TYPE A	FOOT	36			36		
X	87800150	CONCRETE FOUNDATION, TYPE C	FOOT	4			4		
X	87800400	CONCRETE FOUNDATION, TYPE E 30-INCH DIAMETER	FOOT	15			15		
X	87800415	CONCRETE FOUNDATION, TYPE E 36-INCH DIAMETER	FOOT	75			75		
X	88030020	SIGNAL HEAD, L.E.D., 1-FACE, 3-SECTION, MAST ARM MOUNTED	EACH	3			3		
X	88030050	SIGNAL HEAD, L.E.D., 1-FACE, 3-SECTION, BRACKET MOUNTED	EACH	4			4		
X	88030070	SIGNAL HEAD, L.E.D., 1-FACE, 4-SECTION, BRACKET MOUNTED	EACH	2			2		
X	88030080	SIGNAL HEAD, L.E.D., 1-FACE, 4-SECTION, MAST ARM MOUNTED	EACH	5			5		
X	88030110	SIGNAL HEAD, L.E.D., 1-FACE, 5-SECTION, MAST ARM MOUNTED	EACH	3			3		
X	88030210	SIGNAL HEAD, L.E.D., 2-FACE, 3-SECTION, BRACKET MOUNTED	EACH	1			1		
X	88030250	SIGNAL HEAD, L.E.D., 2-FACE, 1-4 SECTION, 1-5 SECTION, BRACKET MOUNTED	EACH	3			3		
X	88102717	PEDESTRIAN SIGNAL HEAD, L.E.D., 1-FACE, BRACKET MOUNTED WITH COUNTDOWN TIMER	EACH	8			8		
X	88200210	TRAFFIC SIGNAL BACKPLATE, LOUVERED, ALUMINUM	EACH	12			12		
X	88500100	INDUCTIVE LOOP DETECTOR	EACH	22			22		
X	88600100	DETECTOR LOOP, TYPE I	FOOT	1773			1715	58	
X	88700200	LIGHT DETECTOR	EACH	5			5		
X	88700300	LIGHT DETECTOR AMPLIFIER	EACH	1			1		
X	88800100	PEDESTRIAN PUSH-BUTTON	EACH	8			8		
X	89000100	TEMPORARY TRAFFIC SIGNAL INSTALLATION	EACH	1			1		
X	89502200	MODIFY EXISTING CONTROLLER	EACH	1			1		
X	89502300	REMOVE ELECTRIC CABLE FROM CONDUIT	FOOT	12168				12168	
X	89502375	REMOVE EXISTING TRAFFIC SIGNAL EQUIPMENT	EACH	1			1		
X	89502380	REMOVE EXISTING HANDHOLE	EACH	10			8	2	
X	89502385	REMOVE EXISTING CONCRETE FOUNDATION	EACH	8			8		

X INDICATES SPECIALTY ITEM

FILE NAME =	USER NAME =	DESIGNED <i>BLG/KRK</i>	REVISED -	<b>STATE OF ILLINOIS DEPARTMENT OF TRANSPORTATION</b>	<b>SUMMARY OF QUANTITIES</b>			F.A.U. RTE.	SECTION	COUNTY	TOTAL SHEETS	SHEET NO.
		DRAWN <i>BLG/KRK</i>	REVISED -		ESSINGTON ROAD AT HENNEPIN DRIVE AND MALL LOOP DRIVE			0326	06-00130-00-CH	WILL	116	9
		CHECKED <i>DJK</i>	REVISED -		SCALE: SHEET NO. 6 OF 8 SHEETS			CONTRACT NO. 63185				
		DATE <i>5-29-09</i>	REVISED -		FED. ROAD DIST. NO. 7 ILLINOIS FED. AID PROJECT M-8003(654)							

REV. 9-4-09

CODED PAY ITEM NO.	ITEM	UNIT	TOTAL QUANTITY	1000-2A	Y007	Y031-1F	Y030-1E	Y060
				ROADWAY	CULVERT	TRAFFIC SIGNALS	LIGHTING	WATERMAIN
				80% FEDERAL / 20% LOCAL	80% FEDERAL / 20% LOCAL	80% FEDERAL / 20% LOCAL	80% FEDERAL / 20% LOCAL	80% FEDERAL / 20% LOCAL
X	X0325792	WATER METER INSTALLED	EACH	1				1
	X4021000	TEMPORARY ACCESS (PRIVATE ENTRANCE)	EACH	3	3			
	X4022000	TEMPORARY ACCESS (COMMERCIAL ENTRANCE)	EACH	3	3			
	X4023000	TEMPORARY ACCESS (ROAD)	EACH	1	1			
	X4067107	POLYMERIZED LEVELING BINDER (MACHINE METHOD), IL-4.75, N50	TON	882	882			
X	X8050010	SERVICE INSTALLATION, GROUND MOUNTED	EACH	1			1	
X	X8620020	UNINTERRUPTIBLE POWER SUPPLY	EACH	1			1	
X	X8730027	ELECTRIC CABLE IN CONDUIT, GROUNDING, NO. 6 1C	FOOT	1355			1355	
X	X8730250	ELECTRIC CABLE IN CONDUIT, NO. 20 3/C, TWISTED, SHIELDED	FOOT	1344			1344	
X	X8950130	MODIFY EXISTING LIGHTING CONTROLLER	EACH	1				1
X	XX008150	AERIAL CABLE, 5-1/C NO. 8 WITH MESSENGER WIRE	FOOT	1836				1836
X	XX008151	TEMPORARY WOOD POLE, 55 FT., CLASS 4, 15 FT. MAST ARM	EACH	18				18
X	XX008152	TEMPORARY WOOD POLE, 45 FT., CLASS 4	EACH	4				4
	XX007995	PAVED DITCH REMOVAL	SQ YD	375	375			
	X0326653	PAVED DITCH (SPECIAL)	SQ YD	611	611			
	XX008153	DRILL AND GROUT #3 TIE BARS	EACH	138	138			
X	XX008154	RELOCATE EXISTING RADIO INTERCONNECT SYSTEM	EACH	2			2	
X	XX008155	WATER METER VAULT	EACH	1				1
X	A2008517	TREE, ULMUS JAPONICA X WILSONIANA 'MORTON' (ACCOLADE ELM), 2 1/2" CALIPER, BALLED AND BURLAPPED	EACH	5	5			
X	XX008156	LINE STOPS 10"	EACH	1				1
X	81702110	ELECTRIC CABLE IN CONDUIT, 600V (XLP-TYPE USE) 1/C NO. 10	FOOT	1600			1600	
X	83600200	LIGHT POLE FOUNDATION, 24" DIAMETER	FOOT	2			2	
X	84400105	RELOCATE EXISTING LIGHTING UNIT	EACH	2			2	

X INDICATES SPECIALTY ITEM

REV. 9-4-09

FILE NAME =	USER NAME =	DESIGNED <i>BLG/KRK</i>	REVISED -	<b>STATE OF ILLINOIS DEPARTMENT OF TRANSPORTATION</b>	<b>SUMMARY OF QUANTITIES</b> ESSINGTON ROAD AT HENNEPIN DRIVE AND MALL LOOP DRIVE	F.A.U. RTE.	SECTION	COUNTY	TOTAL SHEETS	SHEET NO.	
		DRAWN <i>BLG/KRK</i>	REVISED -			0326	06-00130-00-CH	WILL	116	11	
		CHECKED <i>DJK</i>	REVISED -			CONTRACT NO. 63185					
		DATE <i>5-29-09</i>	REVISED -			SCALE: SHEET NO. 8 OF 8 SHEETS		FED. ROAD DIST. NO. 7 ILLINOIS		FED. AID PROJECT M-8003(654)	



**RELOCATE EXISTING LIGHTING UNITS AND TRAFFIC COUNTER**  
 TWO EXISTING LIGHTING UNITS AND A TRAFFIC COUNTER (INCLUDING DETECTOR LOOP) OWNED BY WESTFIELD LOUIS JOLIET MALL SHALL BE RELOCATED BY THE CONTRACTOR. THE CONTRACTOR SHALL WORK WITH THE OWNER AND THE OWNER'S MAINTENANCE CONTRACTOR TO LAYOUT THE PROPOSED HANDHOLES, LOOPS, AND CABLING. THE PROPOSED LOCATIONS OF THE RELOCATED LIGHT POLES ARE:  
 STA. 145+46, 54' LT  
 STA. 145+17, 44' RT

THE TRAFFIC COUNTER IS ATTACHED TO THE EXISTING LIGHT POLE AT THE SOUTHEAST CORNER. THE COUNTER SHALL BE REMAIN ON THE RELOCATED POLE.

BELOW ARE THE PAY ITEMS THAT HAVE BEEN INCLUDED FOR THIS WORK:

81018500	CONDUIT PUSHED, 2" DIA., GALVANIZED STEEL (300 FT)
81400100	HANDHOLE (3 EACH)
81702110	ELECTRIC CABLE IN CONDUIT, 600V (XLP-TYPE USE) 1/C NO. 10 (1600 FT)
83600200	LIGHT POLE FOUNDATION, 24" DIAMETER (30 FT)
84200700	LIGHTING FOUNDATION REMOVAL (2 EACH)
84400105	RELOCATE EXISTING LIGHTING UNIT (2 EACH)
88600100	DETECTOR LOOP, TYPE I (58 FT)
89502380	REMOVE EXISTING HANDHOLE (2 EACH)

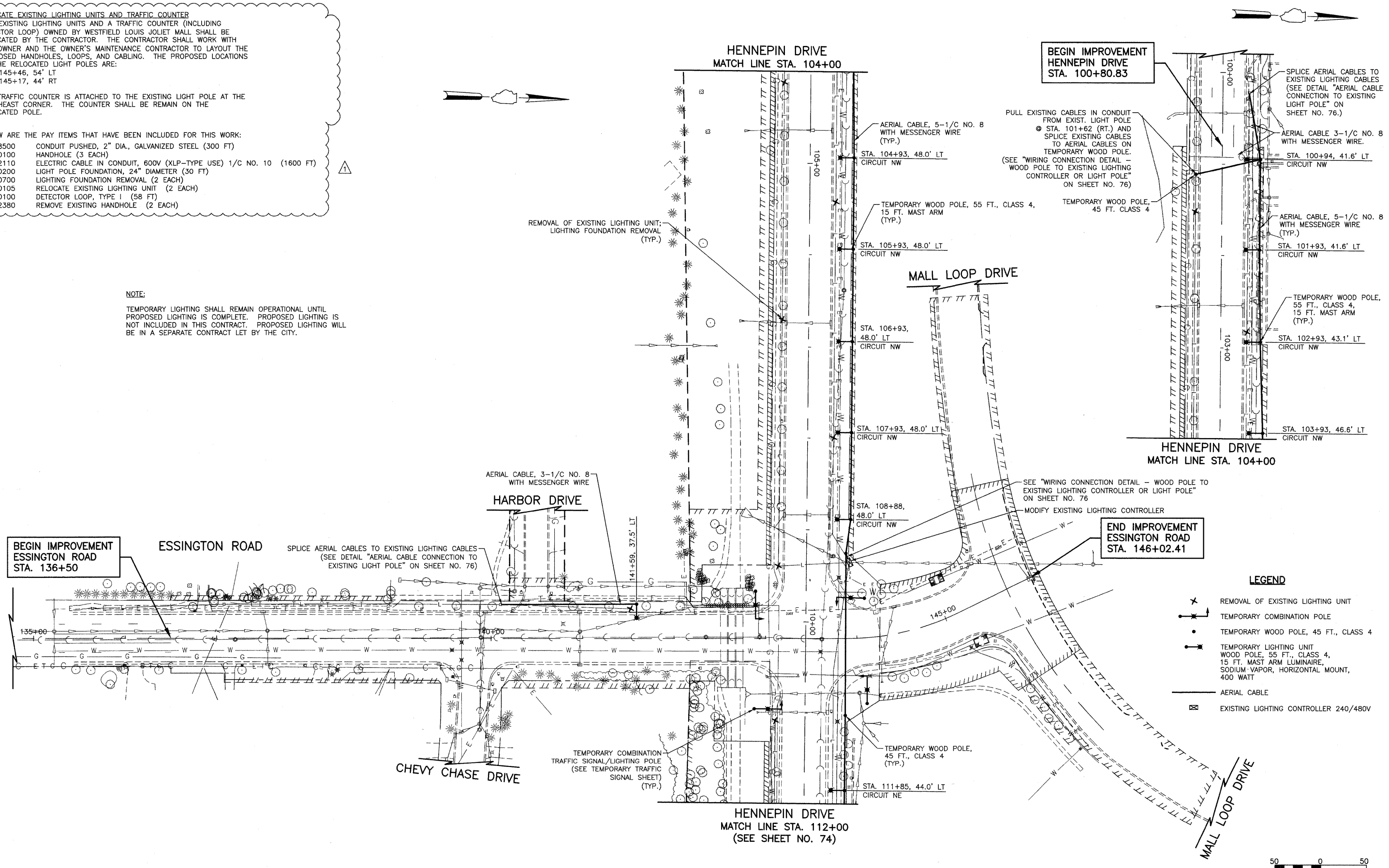
**NOTE:**

TEMPORARY LIGHTING SHALL REMAIN OPERATIONAL UNTIL PROPOSED LIGHTING IS COMPLETE. PROPOSED LIGHTING IS NOT INCLUDED IN THIS CONTRACT. PROPOSED LIGHTING WILL BE IN A SEPARATE CONTRACT LET BY THE CITY.

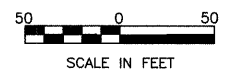
**BEGIN IMPROVEMENT  
 ESSINGTON ROAD  
 STA. 136+50**

**BEGIN IMPROVEMENT  
 HENNEPIN DRIVE  
 STA. 100+80.83**

**END IMPROVEMENT  
 ESSINGTON ROAD  
 STA. 146+02.41**

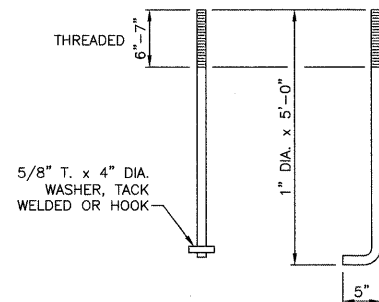
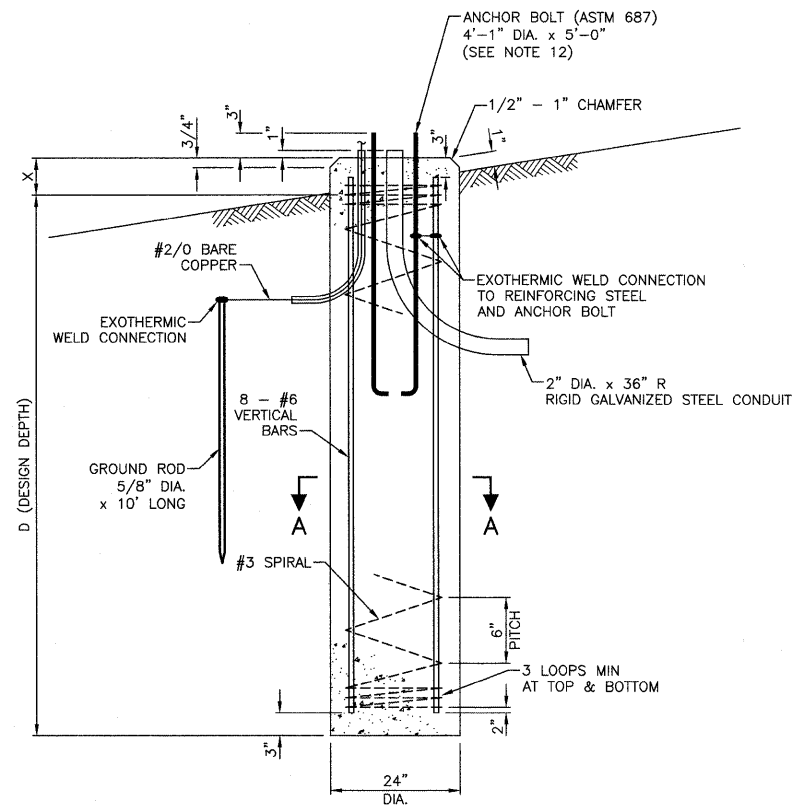
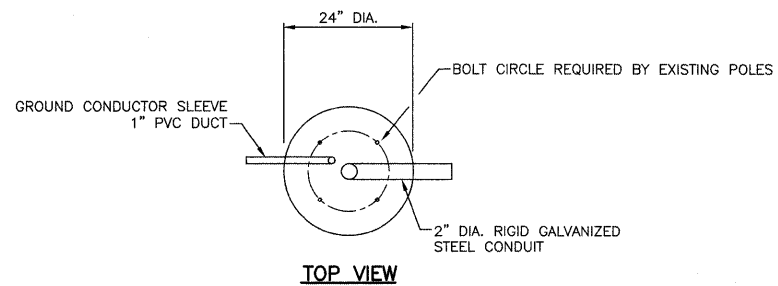


- LEGEND**
- X REMOVAL OF EXISTING LIGHTING UNIT
  - ⊕ TEMPORARY COMBINATION POLE
  - TEMPORARY WOOD POLE, 45 FT., CLASS 4
  - ⊕ TEMPORARY LIGHTING UNIT WOOD POLE, 55 FT., CLASS 4, 15 FT. MAST ARM LUMINAIRE SODIUM-VAPOR, HORIZONTAL MOUNT, 400 WATT
  - AERIAL CABLE
  - ⊕ EXISTING LIGHTING CONTROLLER 240/480V



REV. 9-4-09

FILE NAME =	USER NAME =	DESIGNED S.J.C.	REVISED -	<b>STATE OF ILLINOIS        DEPARTMENT OF TRANSPORTATION</b>	<b>TEMPORARY STREET LIGHTING RECONNECTION PLAN</b> ESSINGTON ROAD AT HENNEPIN DRIVE AND MALL LOOP ROAD	F.A.U. RTE. 0326	SECTION 06-00130-00-CH	COUNTY WILL	TOTAL SHEETS 116	SHEET NO. 73
PLOT SCALE =	CHECKED D.N.M.	REVISED -	SCALE: 1" = 50'			SHEET NO. 1 OF 2 SHEETS	CONTRACT NO. 63185			
PLOT DATE =	DATE 5-29-09	REVISED -				FED. ROAD DIST. NO. 7 ILLINOIS	FED. AID PROJECT M-8003(654)			



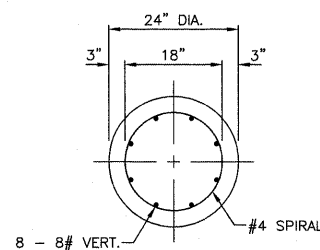
ANCHOR BOLT DETAIL

NOTES:

1. THE ENGINEER SHALL DETERMINE THE CLASS OF SOIL DURING EXCAVATION AND SELECT THE DESIGN DEPTH OF FOUNDATION FROM THE DESIGN TABLE. THE CONTRACTOR SHALL NOT ORDER REINFORCEMENT BARS UNTIL THE OFFSET AND DIMENSION D ARE DETERMINED.
2. EXCAVATION OF THE POLE FOUNDATION SHALL BE MADE WITH AN AUGER, 24" IN DIAMETER.
3. THE CONTRACTOR SHALL USE #3 SPIRAL AT 6" PITCH OR AT HIS OPTION MAY SUBSTITUTE #3 TIES AT 12" CENTER.
4. THE ANCHOR SHALL BE A TACK WELDED TYPE BOLT OR HOOK TYPE BOLT. COLD BENDING OF THE HOOK BOLT WILL NOT BE ALLOWED.
5. THE ANCHOR BOLTS AND RACEWAYS SHALL BE PROPERLY SECURED IN PLACE BEFORE THE CONCRETE IS PLACED IN THE FORM.
6. THE ENTIRE LENGTH OF THE ANCHOR BOLTS AS WELL AS THE NUTS AND WASHERS SHALL BE HOT DIP GALVANIZED IN ACCORDANCE WITH THE REQUIREMENTS OF ASTM DESIGNATION A 153.
7. CONCRETE SHALL BE CLASS "SI". CONCRETE FOUNDATION MUST BE CURED FOR (10) TEN DAYS BEFORE THE LIGHT STANDARD IS ERECTED.
8. THE CABLE TRENCH SHALL BE BACKFILLED AND FIRMLY COMPACTED BEFORE THE LIGHT IS ERECTED.
9. ANCHOR BOLTS SHALL PROJECT 3" ABOVE THE TOP OF THE FOUNDATION.
10. RACEWAYS SHALL PROJECT 1" ABOVE THE TOP OF THE FOUNDATION.
11. THE CONTRACTOR SHALL COORDINATE THE EXTENSION OF ANCHOR BOLTS ABOVE TOP OF FOUNDATION WITH THE BREAKAWAY DEVICE MANUFACTURER'S REQUIREMENTS.
12. A MINIMUM OF 3" OF THE THREADING ON THE ANCHOR BOLTS SHALL REMAIN BELOW THE TOP OF THE FOUNDATION.

DESIGN TABLE - LIGHT POLE FOUNDATION, 24" DIAMETER

TYPE OF SOIL	DESIGN DEPTH OF FOUNDATION
	D
SOFT CLAY	15'-0"
MEDIUM CLAY	10'-9"
STIFF CLAY	8'-0"
LOOSE SAND	11'-0"
MEDIUM SAND	9'-0"
DENSE SAND	9'-0"
ROCK OR SOLIDIFIED SLAG	5'-0"



SECTION A-A

LIGHT POLE FOUNDATION, 24" DIAMETER

REV. 9-4-09

FILE NAME =	USER NAME =	DESIGNED <i>SJC</i>	REVISED -	<b>STATE OF ILLINOIS DEPARTMENT OF TRANSPORTATION</b>	<b>LIGHTING DETAILS</b> ESSINGTON ROAD AT HENNEPIN DRIVE	F.A.U. RTE.	SECTION	COUNTY	TOTAL SHEETS	SHEET NO.
	DRAWN <i>CDC</i>	REVISED -	0326			06-00130-00-CH	WILL	116	76A	
PLOT SCALE =	CHECKED <i>DNM</i>	REVISED -	CONTRACT NO. 63185							
PLOT DATE =	DATE <i>5-29-09</i>	REVISED -	FED. ROAD DIST. NO. 7 ILLINOIS FED. AID PROJECT M-8003(654)							
SCALE: NOT TO SCALE SHEET NO. 1 OF 1 SHEETS										