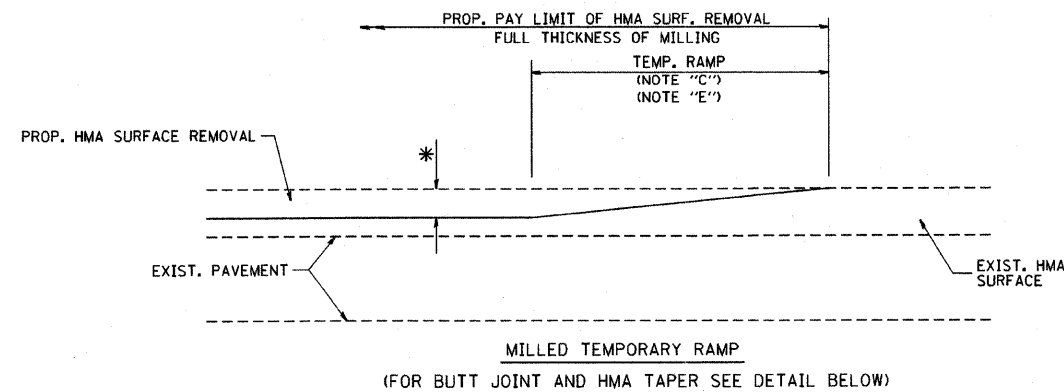
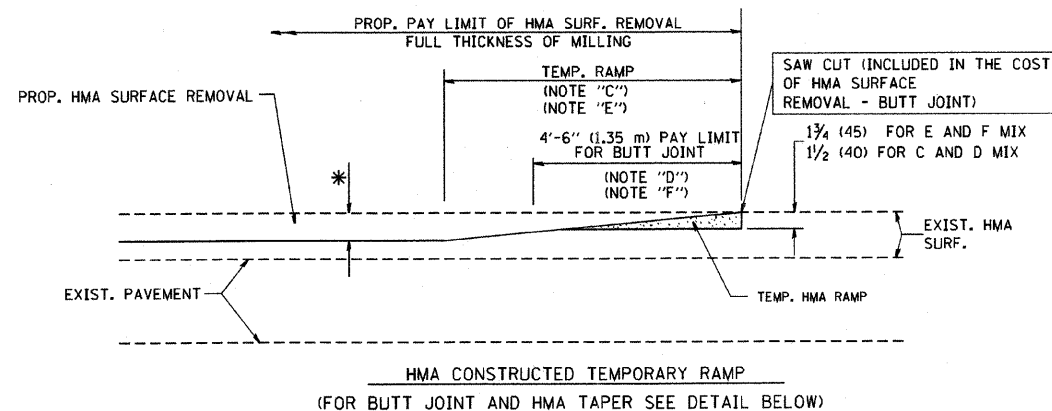


FAU RTE	SECTION	COUNTY	TOTAL SHEETS	SHEET NO.
FAU 2779	08-00165-00-RS	COOK	15	14
F.H.W.A. REG.	ILLINOIS	PROJECT	ARA-9003(176)	

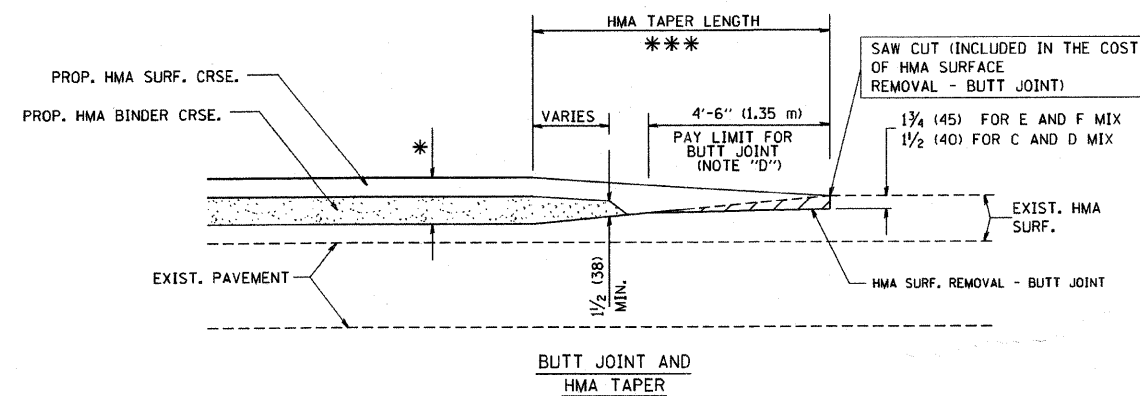
CONTRACT NO. 63203



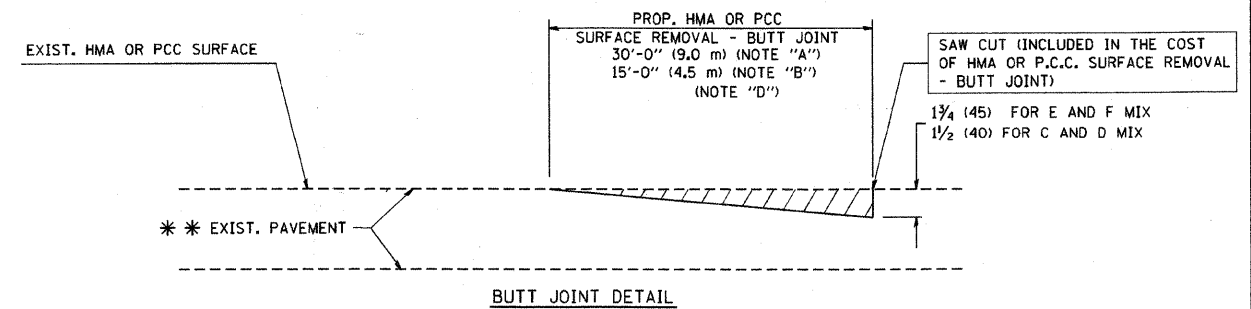
OPTION 1



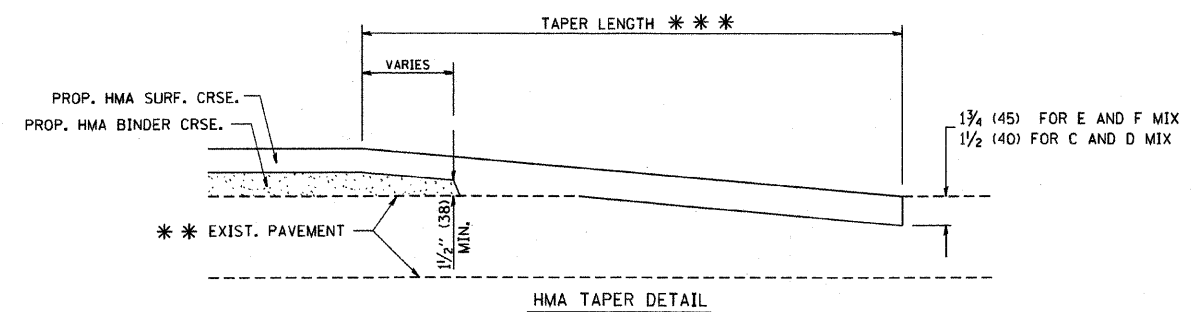
**OPTION 2
TYPICAL TEMPORARY RAMP**



**TYPICAL BUTT JOINT AND HMA TAPER
FOR MILLING AND RESURFACING**



BUTT JOINT DETAIL



**TYPICAL BUTT JOINT AND HMA TAPER
FOR RESURFACING ONLY**

*** PC CONCRETE, HMA OR HMA RESURFACED PAVEMENT.

NOTES

- A: MAINLINE ROADWAYS AND MAJOR SIDE ROADS.
 - B: MINOR SIDE ROADS.
 - C: THE TEMP. RAMP SHALL BE CONSTRUCTED IMMEDIATELY UPON REMOVAL OF THE EXISTING HMA SURFACE.
 - D: THE BUTT JOINT SHALL BE CONSTRUCTED IMMEDIATELY PRIOR TO PLACING THE PROPOSED HMA COURSES.
 - E: TAPER THE TEMP. RAMP AT A RATE OF 3'-0" (900 mm) PER 1 INCH (25 mm) OF MILLING THICKNESS.
 - F: INSTALLATION AND REMOVAL OF THE 4'-6" (1.35 m) TEMP. RAMP IS INCLUDED IN COST OF HMA SURFACE REMOVAL - BUTT JOINT
 - G: SEE ARTICLE 406.08 AND 406.14 OF THE STANDARD SPECIFICATIONS FOR "HMA AND/OR PCC SURFACE REMOVAL, BUTT JOINT".
- * SEE TYPICAL SECTIONS FOR MILLING THICKNESS.

*** 20'-0" (6.1 m) PER 1 (25) RESURFACING (NOTE "A")
10'-0" (3.0 m) PER 1 (25) RESURFACING (NOTE "B")

ALL DIMENSIONS ARE IN INCHES (MILLIMETERS) UNLESS OTHERWISE SHOWN.

BASIS OF PAYMENT:

THE BUTT JOINT WILL BE PAID FOR AT THE CONTRACT UNIT PRICE PER SQUARE YARD (SQURE METER) FOR "HOT-MIX ASPHALT SURFACE REMOVAL - BUTT JOINT" OR FOR "PORTLAND CEMENT CONCRETE SURFACE REMOVAL - BUTT JOINT".

REVISIONS	
NAME	DATE
M. DE YONG	6-13-90
M. DE YONG	7-3-90
M. DE YONG	3-27-92
R. SHAH	09/09/94
R. SHAH	10/25/94
A. ABBAS	03/21/97
M. GOMEZ	04/06/01
R. BORO	01/01/07

ILLINOIS DEPARTMENT OF TRANSPORTATION

**BUTT JOINT AND
HMA TAPER
DETAILS**

SCALE: VERT. NONE
HORIZ.

DRAWN BY
CHECKED BY

BD400-05 (V1-BD32)

PLOT DATE = 3/5/2007
FILE NAME = K:\Users\jms2\My Documents\11111111.dwg
USER NAME = jms2



Frank Novotny & Associates, Inc.

825 Midway Drive ♦ Willowbrook, IL ♦ 60527 ♦ Telephone: (630) 887-8640 ♦ Fax: (630) 887-0132
Illinois Professional Design Firm No. 184-000928

PROJECT

**CITY OF BERWYN, ILLINOIS
EAST AVENUE LAPP RESURFACING
MFT SECTION NO. 08-00165-00-RS**

REVISIONS			
NO.	BY	DATE	DESCRIPTION

**BUTT JOINT AND
HMA TAPER
DETAILS**

PROJECT NO. 06077	SCALE NONE	SHEET 14
DRAWN/DESIGNED JEP/AMS	DATE APRIL, 2009	OF 15
CHECKED/APPROVED JFP/JEP	FIELD BOOK NO. FILE	SHEETS