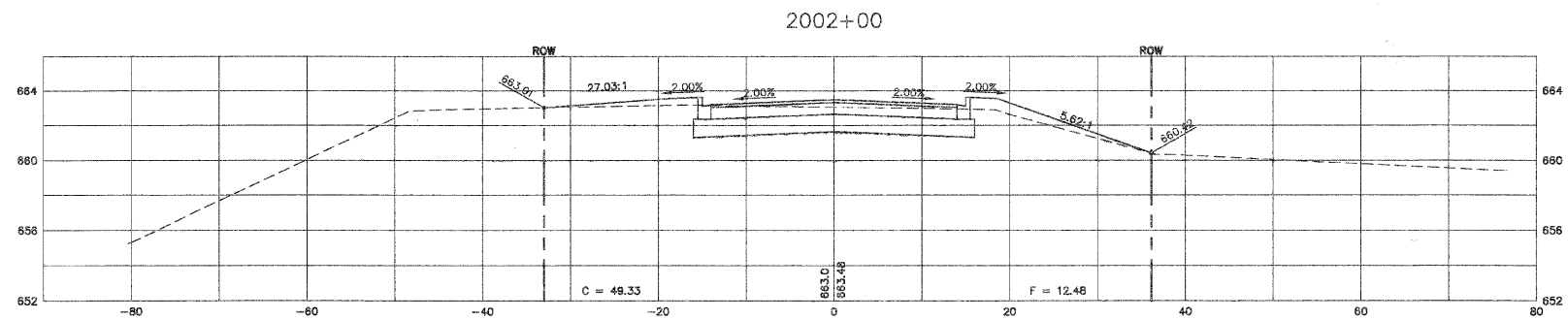
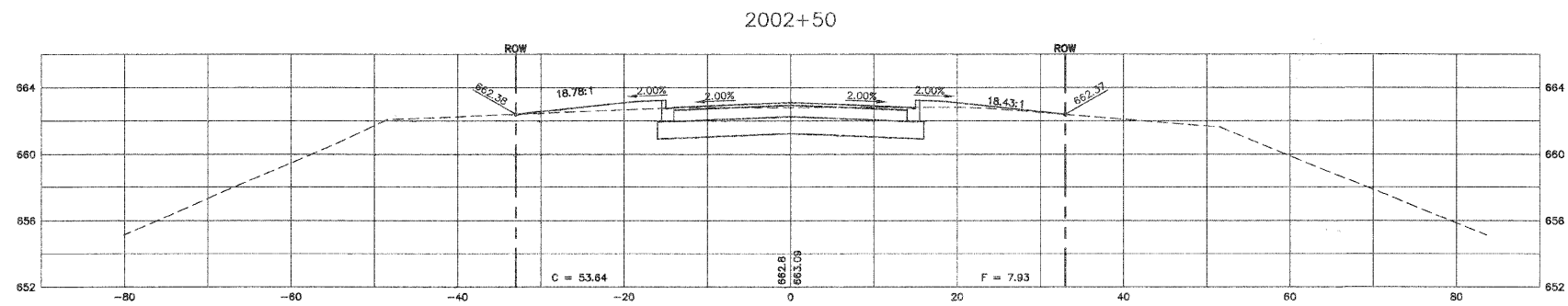
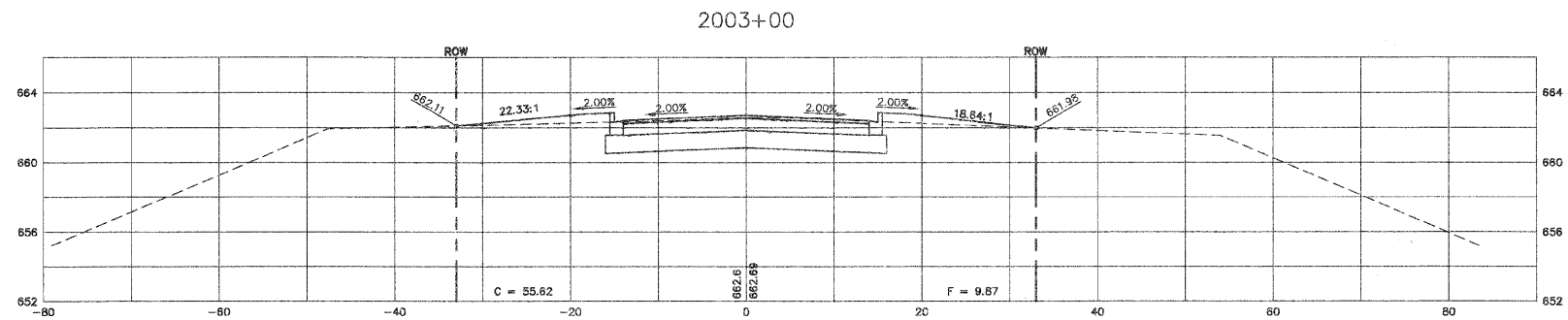




F.A.U. R.T.E.	SECTION	COUNTY	TOTAL SHEETS	SHEET NO.
1680	05-00038-00-PV	KANE/KENDALL	130	102
STA.		TO STA.		
FED. ROAD DIST. NO. _		ILLINOIS	FED. AID PROJECT	

PLAN	SUBMITTED	DATE
NOTE BOOK NO.	PLOTTED	
	ALIGNED	
	CHECKED	
	CADD FILE NAME	



PROFILE	SUBMITTED	DATE
NOTE BOOK NO.	PLOTTED	
	CHECKED	
	STRUCTURE NOTATIONS CHECKED	

SCALE:  
 HORIZONTAL 1" = 10'  
 VERTICAL 1" = 5'

REVISIONS	
NAME	DATE

ILLINOIS DEPARTMENT OF TRANSPORTATION

## BASELINE ROAD CROSS SECTIONS

SCALE: DATE: 03-26-09

DRAWN BY: KKP  
 CHECKED BY: TVW