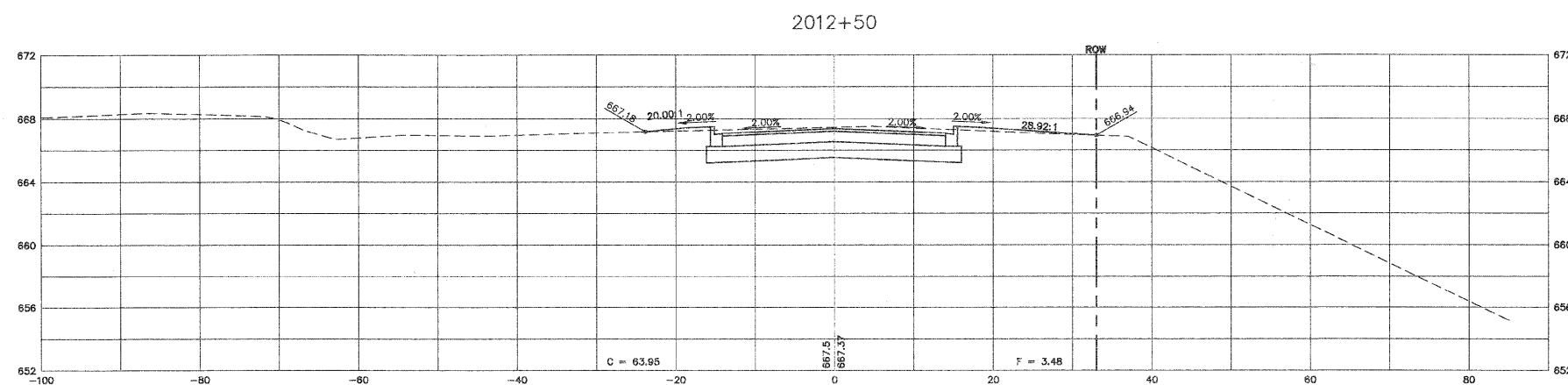
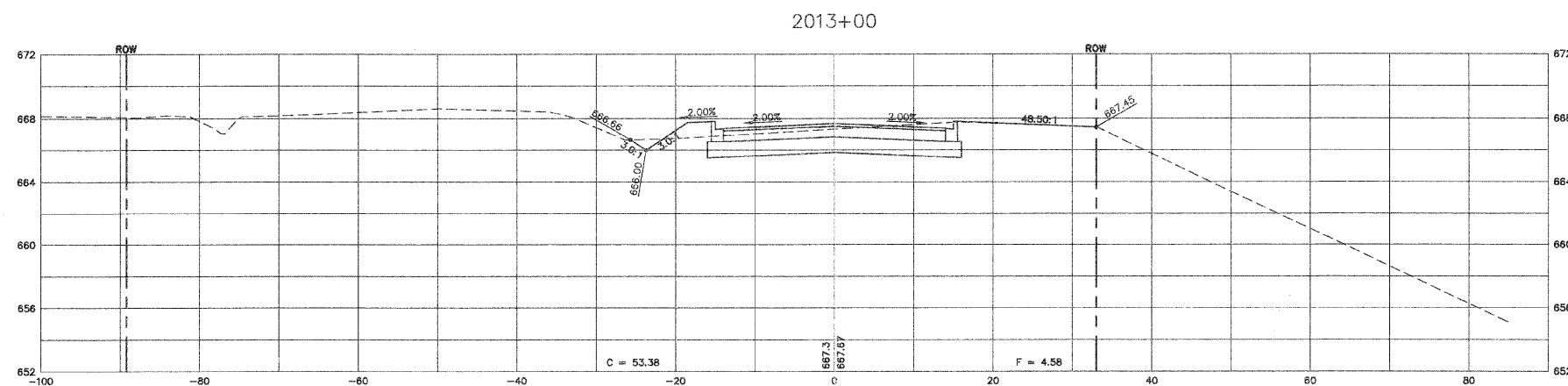
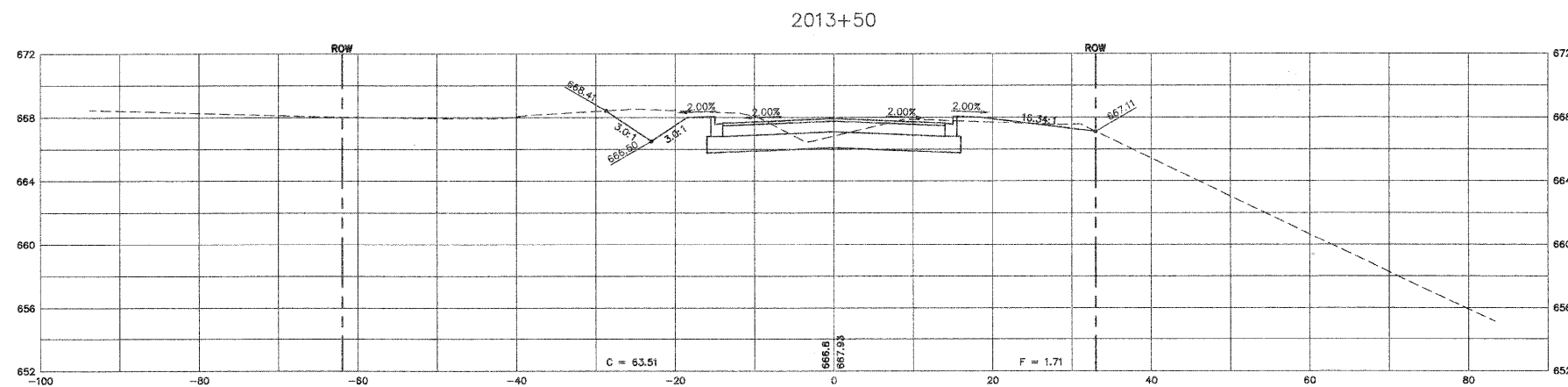




F.A.U. RTE.	SECTION	COUNTY	TOTAL SHEETS	SHEET NO.
1680	05-00038-00-PV	KANE/KENDALL	130	108
STA.		TO STA.		
FED. ROAD DIST. NO. -		ILLINOIS	FED. AID PROJECT	

PLAN	SURVEYED	DATE
NOTE BOOK NO.	PLOTTED	BY
	GRADES CHECKED	
	STRUCTURE NOTATION CHKD	
	FILE NAME	

PROFILE	SURVEYED	DATE
NOTE BOOK NO.	PLOTTED	BY
	GRADES CHECKED	
	STRUCTURE NOTATION CHKD	



SCALE:
HORIZONTAL 1" = 10'
VERTICAL 1" = 5'

REVISIONS	
NAME	DATE

ILLINOIS DEPARTMENT OF TRANSPORTATION

BASELINE ROAD CROSS SECTIONS

SCALE: DATE: 03-26-09

DRAWN BY: KKP
CHECKED BY: TWW