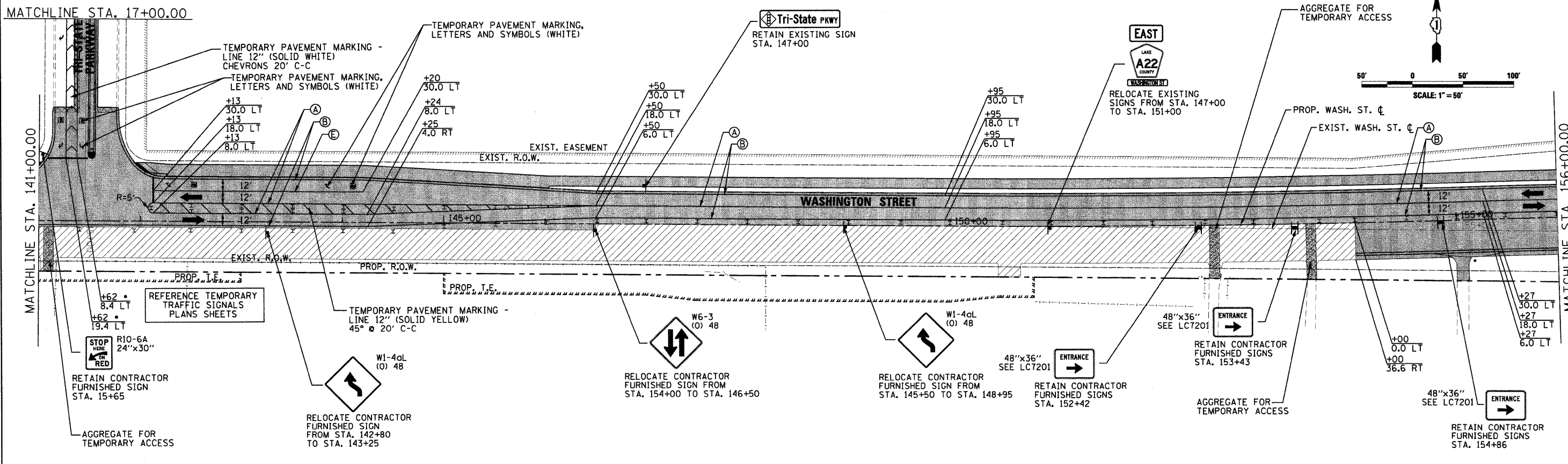


LEGEND

	WORK AREA	(A)	TEMPORARY PAVEMENT MARKING - LINE 4\" (DOUBLE YELLOW)
	COMPLETED TEMPORARY PAVEMENT	(B)	TEMPORARY PAVEMENT MARKING - LINE 4\" (SOLID WHITE)
	COMPLETED PAVEMENT	(C)	TEMPORARY PAVEMENT MARKING - LINE 4\" (SOLID YELLOW)
	COMPLETED TEMP. RESURFACING	(D)	TEMPORARY PAVEMENT MARKING - LINE 6\" (SKID-DASH WHITE)
	DIRECTION OF TRAFFIC	(E)	TEMPORARY PAVEMENT MARKING - LINE 6\" (SOLID WHITE)
	TRAILER MOUNTED ARROW BOARD	(F)	TEMPORARY PAVEMENT MARKING - LINE 6\" (2' DASH 6' SKIP, WHITE)
	TYPE II BARRICADES WITH STEADY BURN LIGHT		CONSTRUCTION SIGN
	TYPE III BARRICADE		VERTICAL PANEL



<p>CMT CRAWFORD, MURPHY & TILLY, INC. CONSULTING ENGINEERS License No. 184-00063</p>	USER NAME = Steve Prange PLOT SCALE = 50.0000' / IN. PLOT DATE = 05/29/09	DESIGNED - SJP DRAWN - SJP CHECKED - KDN DATE - 05/29/09	REVISED - REVISED - REVISED - REVISED -	<p>LakeCounty Division of Transportation</p>	<p align="center">MAINTENANCE OF TRAFFIC STAGE 2C PLAN</p> <p>SCALE: 50'=1" SHEET NO. 22 OF 24 SHEETS STA. 126+00 TO STA. 156+00</p>	F.A. RTE. 1016 SECTION 02-00110-12-WR COUNTY LAKE TOTAL SHEETS 206 SHEET NO. 49	CONTRACT NO. 63209
	FED. ROAD DIST. NO. 1 ILLINOIS FED. AID PROJECT						