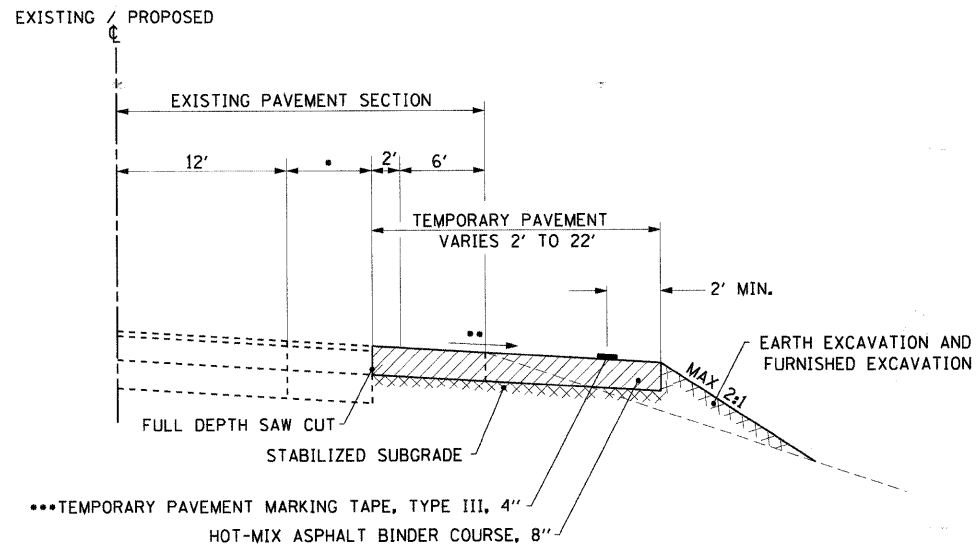


**IMPACT ATTENUATORS, TEMPORARY (NON-REDIRECTIVE), TEST LEVEL 3
FOR 45 MPH POSTED SPEED LIMIT (9 MODULES)**

NOTES FOR IMPACT ATTENUATORS

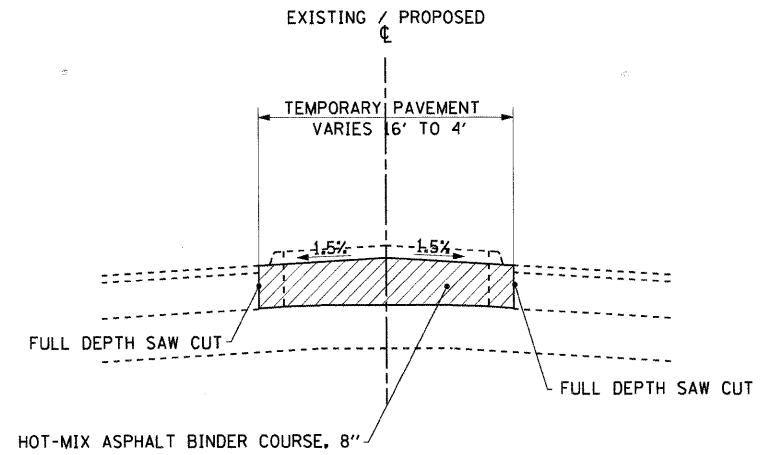
1. BARREL ARRANGEMENT SHOWN APPLIES TO CONSTRUCTION ZONES WITH 45 MPH AND 55 MPH POSTED SPEED LIMITS. FOR OTHER SPEED LIMITS, TEMPORARY CRASH CUSHION SYSTEM SHALL BE AS SHOWN ON PLANS.
2. NUMBERS ON BARRELS INDICATE WEIGHT IN POUNDS OF SAND IN EACH CONTAINER.
3. SAND BARRELS SHALL BE PLACED PRIOR TO COMMENCING PLACEMENT OF PRECAST BARRIER UNITS.
4. THE TEMPORARY INERTIAL CRASH CUSHION SYSTEM SHALL BE IN ACCORDANCE WITH THE STANDARD SPECIFICATIONS.
5. THE ORIENTATION RATIO AS SHOWN IS THE MAXIMUM DESIRED, HOWEVER DUE TO OTHER RESTRAINTS, THIS RATIO CAN BE INCREASED, AS APPROVED BY THE ENGINEER.
6. WHERE THE BARRELS ARE LOCATED WITHIN A BARRICADED CONSTRUCTION ZONE, THEY SHALL BE LOCATED AS FAR AWAY FROM THE EDGE OF THE TRAFFIC LANE AS POSSIBLE WITH A MINIMUM CLEARANCE OF 2 FEET.



TEMPORARY PAVEMENT WIDENING DETAIL

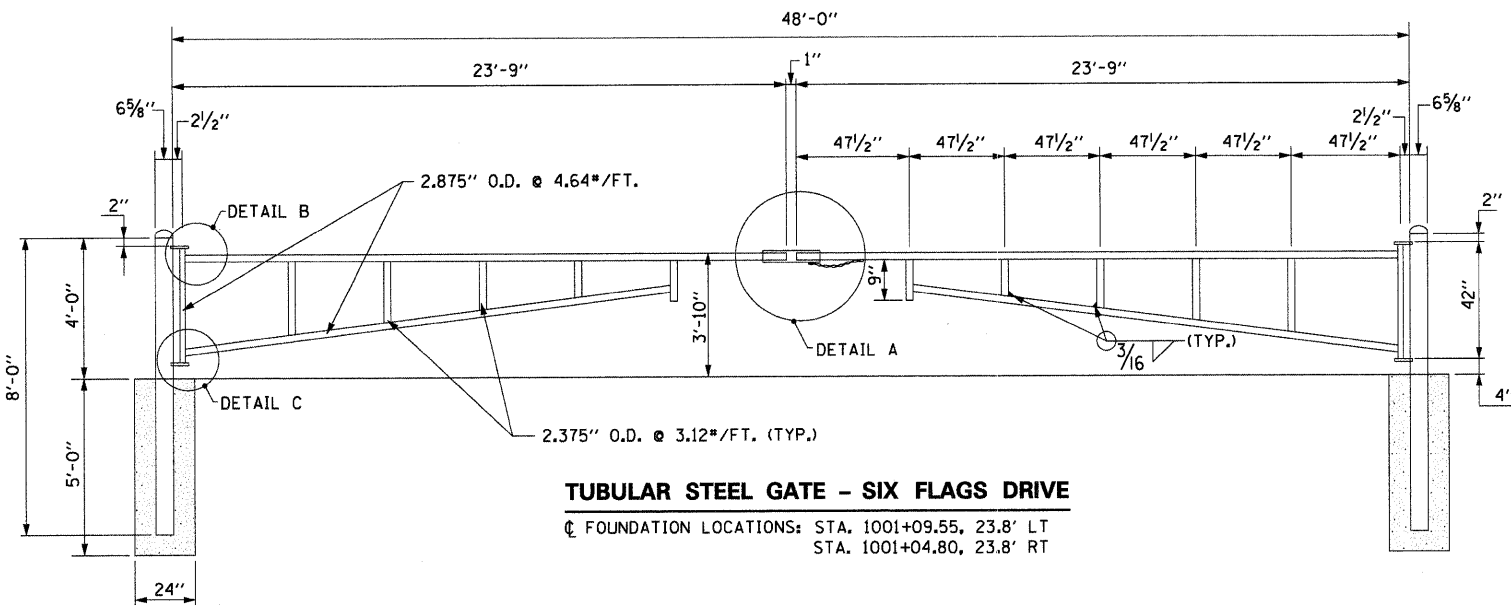
STA. 136+45.00 TO STA. 145+53.88

- STA. 134+02.50 TO STA. 145+53.88 (VARIES FROM 0' TO 6')
- THE TEMPORARY PAVEMENT SHALL MATCH THE CROSS SLOPE OF THE EXISTING PAVEMENT.
- TEMPORARY PAVEMENT MARKING WITH PAINT WILL BE ACCEPTABLE IN AREAS THAT WILL BE SUBSEQUENTLY REMOVED AS PART OF THE PROPOSED IMPROVEMENTS. (SEE MOT PLANS)



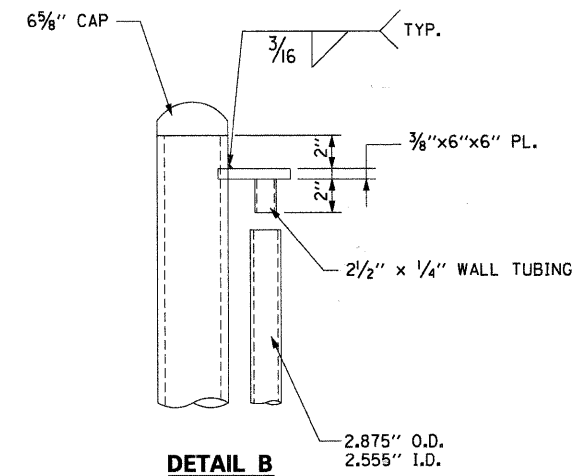
TEMPORARY PAVEMENT CROSS-OVER DETAIL

STA. 175+26.81 TO STA. 8+33.48

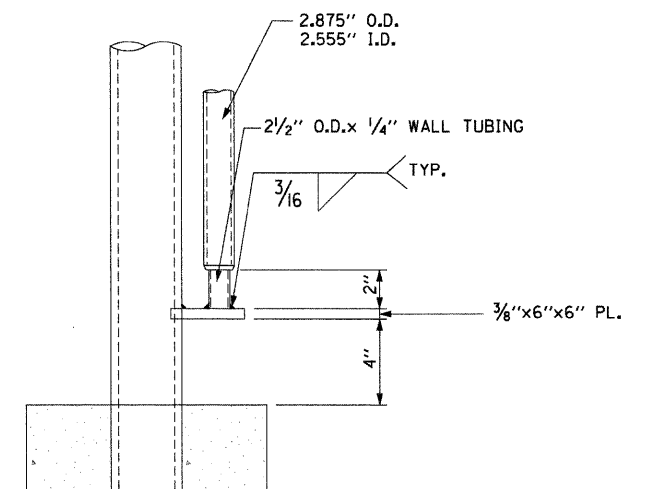


TUBULAR STEEL GATE - SIX FLAGS DRIVE

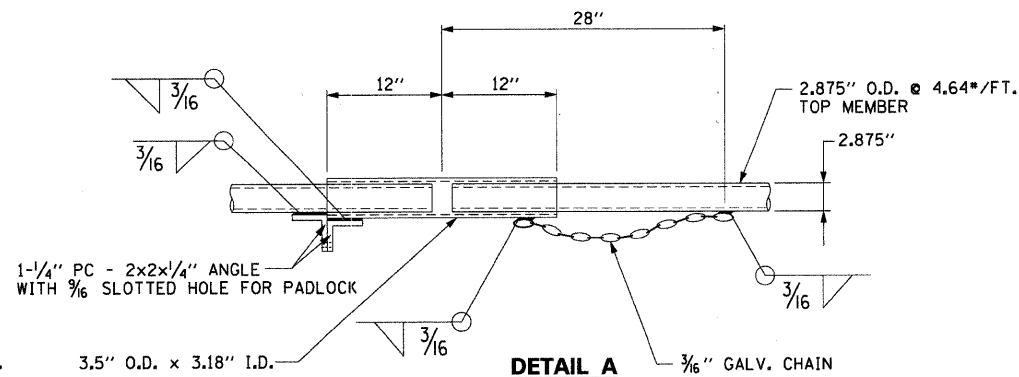
FOUNDATION LOCATIONS: STA. 1001+09.55, 23.8' LT
STA. 1001+04.80, 23.8' RT



DETAIL B



DETAIL C



DETAIL A

NOTES:

1. USE CLASS SI CONCRETE FOR FOOTINGS.
2. WELD GATE WITH 3/16" WELDS TYP. CLEAN WELDS AND PAINT WITH HEAVY COAT OF ZINC RICH PAINT. USE PRE-GALVANIZED PIPE ALLIED SS-40 EXCEPT GATE POST @ 6 5/8" O.D. ARE SCHEDULE 40 PIPE.
3. THE PROPOSED HINGE SHALL BE INSTALLED FACING NORTH TO RESTRICT GATE FROM OPENING INTO WASHINGTON STREET TRAFFIC.

FILE NAME: I:\LakeCounty\9822401\Draw\Sheet\CD_02.dwg



USER NAME = Steve Prange
PLOT SCALE = 20.0000' / IN.
PLOT DATE = 05/29/09

DESIGNED - SJP
DRAWN - SJP
CHECKED - KDN
DATE - 05/29/09

REVISED -
REVISED -
REVISED -
REVISED -



CONSTRUCTION DETAILS

SCALE: N.T.S. SHEET NO. 2 OF 3 SHEETS STA. N/A TO STA. N/A

F.A. RTE.	SECTION	COUNTY	TOTAL SHEETS	SHEET NO.
1016	02-00110-12-WR	LAKE	206	68
CONTRACT NO. 63209				
FED. ROAD DIST. NO. 1 ILLINOIS FED. AID PROJECT				