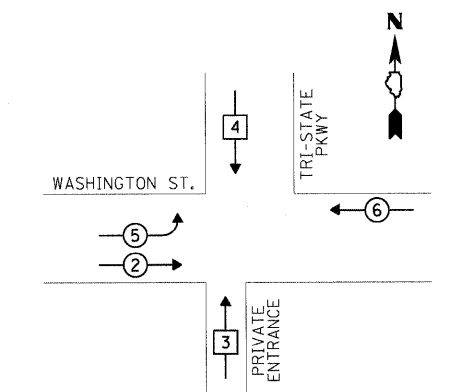


TEMPORARY CABLE PLAN LEGEND

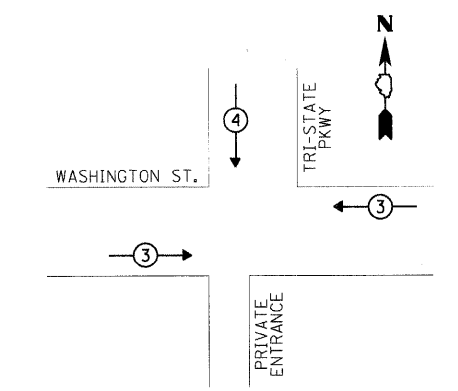
- R 12" TEMPORARY TRAFFIC SIGNAL SECTION
- P 12" PEDESTRIAN SIGNAL SECTION
- C TEMPORARY CONTROLLER CABINET
- S TEMPORARY SERVICE INSTALLATION
- T TELEPHONE DROP
- V VEHICLE DETECTOR, INDUCTION LOOP
- E EMERGENCY VEHICLE LIGHT DETECTOR
- B CONFIRMATION BEACON
- P PEDESTRIAN PUSHBUTTON
- ⑤ INDICATES NUMBER OF CONDUCTORS IN CABLE. ALL CONDUCTORS TO BE NO. 14 WIRE UNLESS OTHERWISE NOTED.
- L LUMINAIRE
- C DOME PAN/TILT/ZOOM (PTZ) CAMERA
- I IMAGE SENSOR
- # COAXIAL CABLE (BELDEN 8281) NO. 20



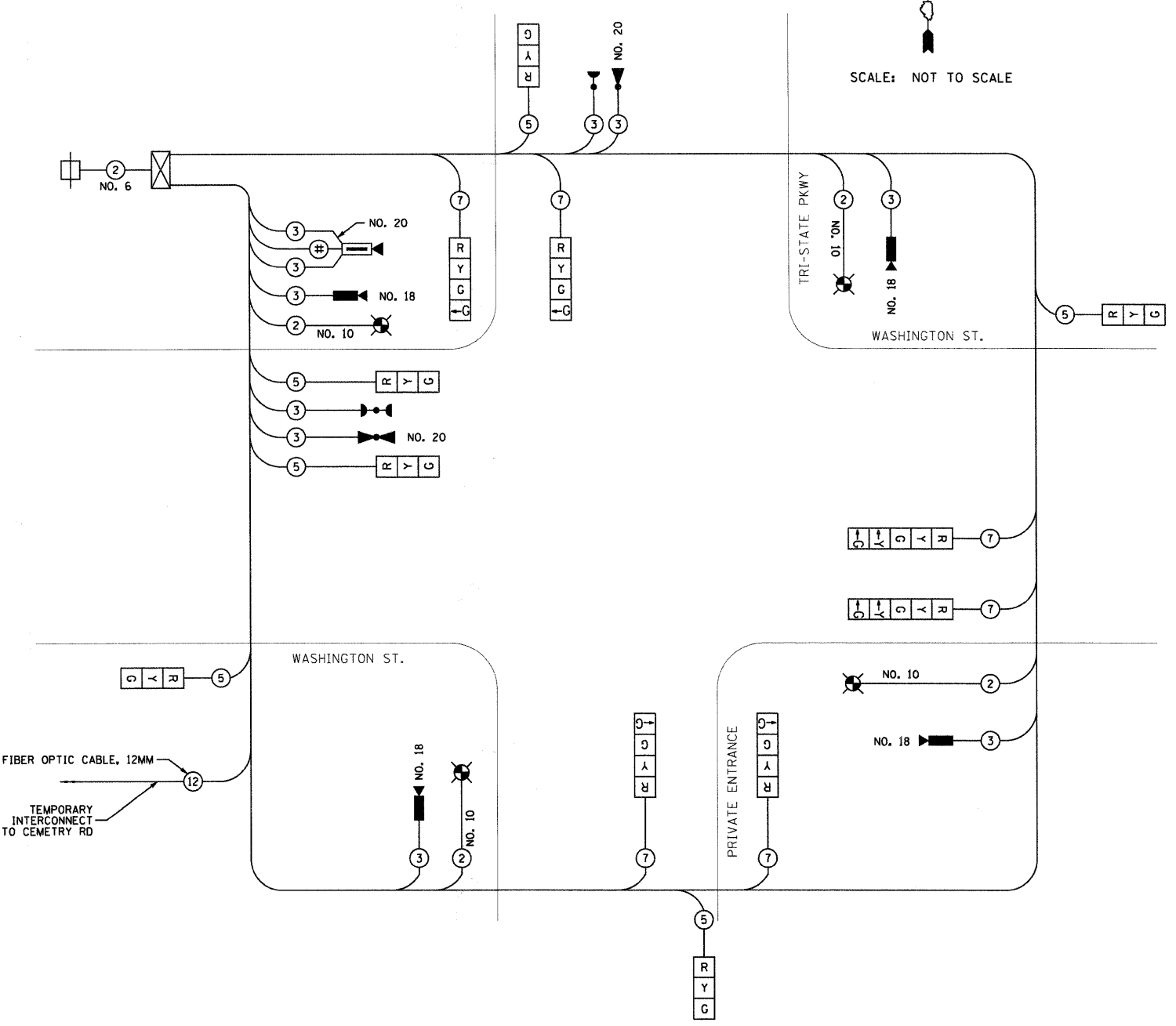
TEMPORARY PHASE DESIGNATION DIAGRAM

TEMPORARY PHASE DESIGNATION DIAGRAM LEGEND

- V VEHICULAR MOVEMENT - DUAL ENTRY PHASE
- S VEHICULAR MOVEMENT - SINGLE ENTRY PHASE
- P PEDESTRIAN MOVEMENT
- O OVERLAP MOVEMENT
- NUMBER REFERS TO ASSOCIATED PHASE



TEMPORARY EMERGENCY VEHICLE PREEMPTION SEQUENCE



TEMPORARY CABLE PLAN
NOT TO SCALE

L.C.D.O.T. TRAFFIC SIGNAL INSTALLATION ELECTRICAL SERVICE REQUIREMENTS					TOTAL WATTAGE
TYPE	NO. LAMPS	WATTAGE		% OPERATION	
SIGNAL (RED)	12	—	10	0.50	60
(YELLOW)	12	—	19	0.10	23
(GREEN)	12	—	11	0.40	53
ARROW	8	—	9	0.10	8
PED SIGNAL	—	—	9	1.00	—
CONTROLLER	1	—	100	1.00	100
VIDEO SYSTEM	1	—	150	1.00	150
LUMINAIRE	4	—	250	0.50	500
L.E.D. ST. SIGNS	—	—	64	0.50	—
BATTERY BACKUP	—	—	25	1.00	—
TOTAL =					894

TEMPORARY EMERGENCY VEHICLE PREEMPTORS			
EMERGENCY VEHICLE PREEMPTOR	3	4	5
MOVEMENT	←	↑	↓

FOUNDATION (DEPTH)	FT.	CABLE SLACK	FT.	VERTICAL	FT.
TYPE A - POST	4	HANDHOLE	6.5	ALL FOUNDATIONS	3.5
D - CONTROLLER	4	DOUBLE HANDHOLE	13	MAST ARM (L) POLE	20+L-2=
E - MAST ARM POLE	15	SIGNAL POST	2	BRACKET MOUNTED	13
		CONTROLLER CABINET	1	PEDESTRIAN PUSHBUTTON	4
		FIBER OPTIC	13	ELECTRIC SERVICE	13.5
		ELECTRIC SERVICE	1	SERVICE TO GROUND	13.5
		GROUND CABLE	1	POST MOUNTED	

ENERGY COSTS TO: LAKE COUNTY DIVISION OF TRANSPORTATION
600 WINCHESTER ROAD
LIBERTYVILLE, IL 60048

ENERGY SUPPLY: CONTACT: MS. TERRI BLECK
PHONE: (847) 816-5234
COMPANY: COMED

USER NAME = Steve Prange
DESIGNED - CMC
DRAWN - CMC
CHECKED - KDN
DATE - 05/29/09

REVISIONS:
REVISED -
REVISED -
REVISED -
REVISED -



WASHINGTON STREET - TEMPORARY CABLE PLAN
WASHINGTON STREET AT TRI-STATE PARKWAY

SCALE: SHEET NO. OF SHEETS STA. TO STA.

F.A. RTE.	SECTION	COUNTY	TOTAL SHEETS	SHEET NO.
1016	02-00110-12-WR	LAKE	206	95

CONTRACT NO. 63209
FED. ROAD DIST. NO. 1 ILLINOIS FED. AID PROJECT

FILE NAME: I:\Lakeco\0822401\dr-aw\Sheets\TS-073.dgn