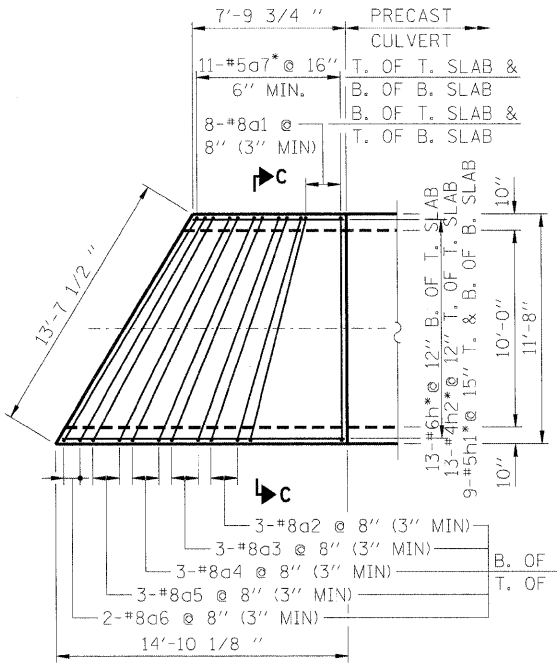
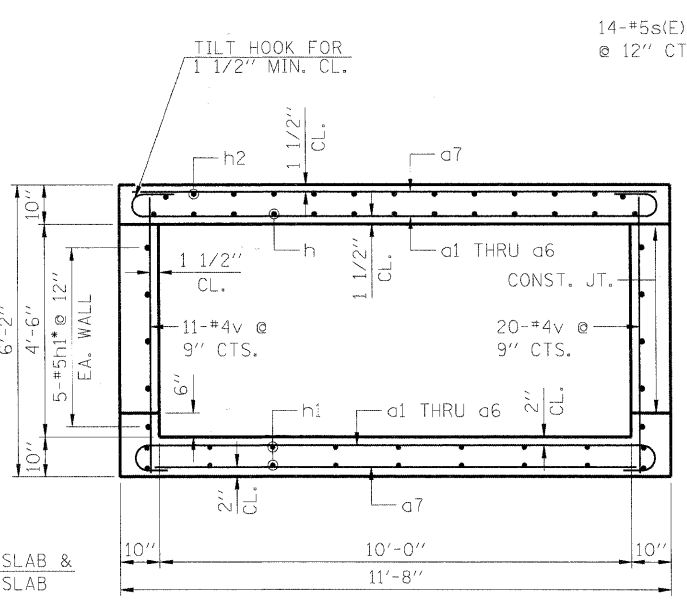


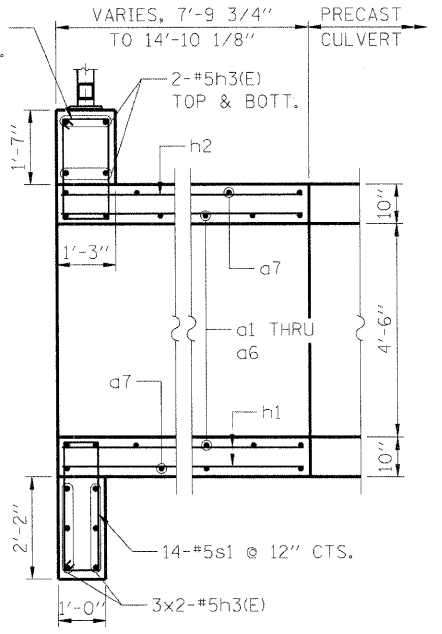
WALL PLAN



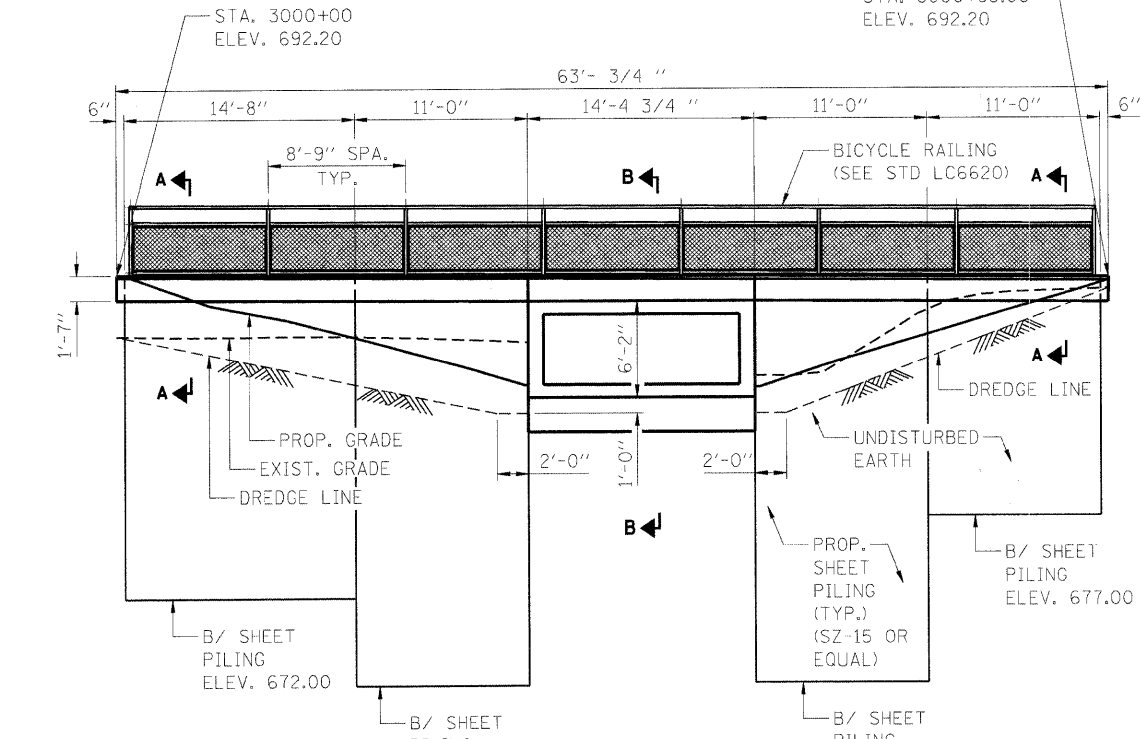
CAST-IN-PLACE CONCRETE END SECTION PLAN
(HEADWALL ABOVE NOT SHOWN FOR CLARITY)
* CUT IN FIELD TO FIT



SECTION C-C

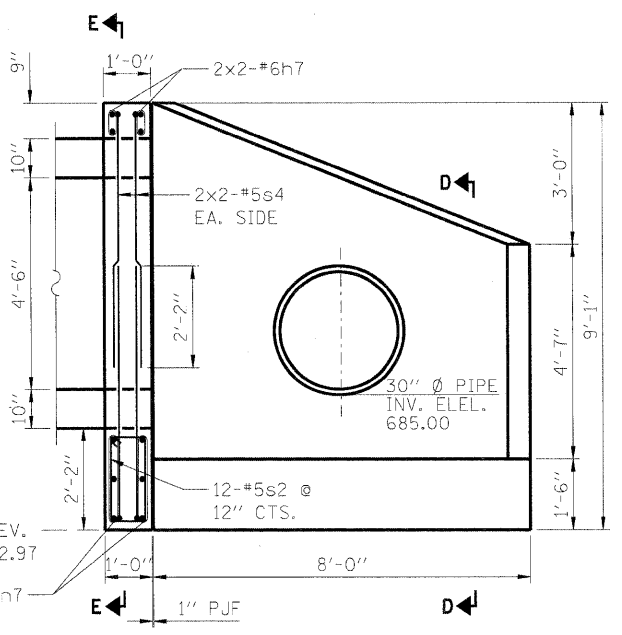


SECTION B-B

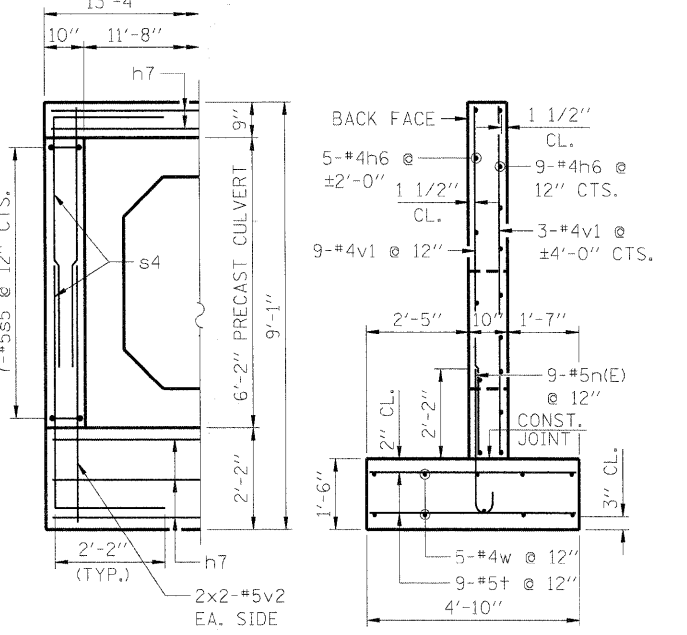


ELEVATION

SHEET PILE SPECIFICATIONS:
fy = 50,000 psi (AASHTO M202 GRADE 50)
SEFFECTIVE = 6.6 IN./FT. (SEE SPECIAL PROVISIONS)
NOTE:
NO EXCAVATION ALLOWED BELOW THE DREDGE LINE WITHOUT THE ENGINEER'S PERMISSION.

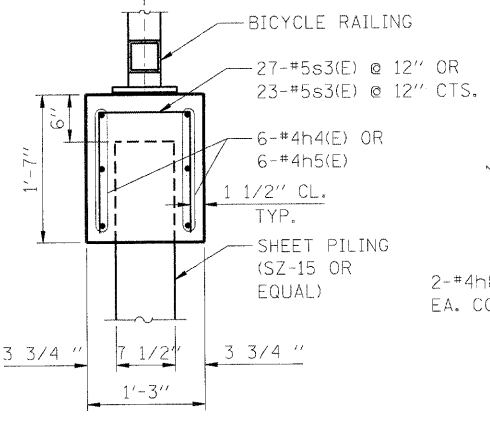


WINGWALL ELEVATION



SECTION E-E
(OPP. HAND SIMILAR)

SECTION D-D



SECTION A-A



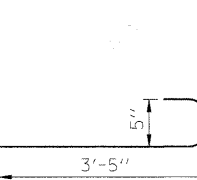
TYPICAL ADDITIONAL REINFORCEMENT AROUND PIPE PENETRATIONS

BARS a1 THRU a6

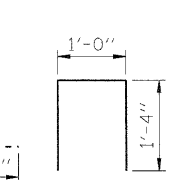
BAR	A
a1	11'-4"
a2	11'-7"
a3	11'-10"
a4	12'-2"
a5	12'-7"
a6	13'-0"

BARS s(E), s1, s2 AND s5

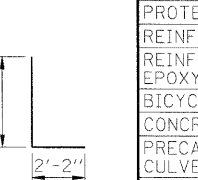
BAR	A	B
s	11"	2'-1"
s1	8"	2'-8"
s2	8"	1'-10"
s5	6"	8"



BAR n(E)



BAR s3(E)



BAR s4

BILL OF MATERIAL

BAR NO.	SIZE	LENGTH	SHAPE
a1	#8	13'-2"	C
a2	#8	13'-5"	C
a3	#8	13'-8"	C
a4	#8	14'-0"	C
a5	#8	14'-5"	C
a6	#8	14'-10"	C
a7	#5	13'-3"	C
h	#6	14'-6"	I
h1	#5	14'-6"	I
h2	#4	14'-6"	I
h3(E)	#5	13'-3"	I
h4(E)	#4	25'-10"	I
h5(E)	#4	22'-2"	I
h6	#4	7'-7"	I
h7	#6	13'-0"	I
h8	#4	6'-6"	I
n(E)	#5	4'-0"	I
s(E)	#5	6'-11"	I
s1	#5	7'-7"	I
s2	#5	5'-11"	I
s3(E)	#5	3'-8"	I
s4	#5	7'-7"	I
s5	#5	3'-3"	I
t	#5	4'-6"	I
v	#4	5'-10"	I
v1	#4	7'-4"	I
v2	#5	5'-5"	I
w	#4	7'-7"	I

STRUCTURE EXCAVATION	CU. YD.	577
CONCRETE STRUCTURES	CU. YD.	11.0
PROTECTIVE COAT	SQ. YD.	10.3
REINFORCEMENT BARS	POUND	3,740
REINFORCEMENT BARS, EPOXY COATED	POUND	660
BICYCLE RAILING	FOOT	61.25
CONCRETE BOX CULVERTS	CU. YD.	11.3
PRECAST CONCRETE BOX CULVERT 10'x4.5' (M273)	FOOT	102
PERMANENT STEEL SHEET PILING	SQ. FT.	1,016

NOTES:
1. REINFORCEMENT BARS DESIGNATED (E) SHALL BE EPOXY COATED.
2. WORK THIS SHEET WITH SHEET 116.