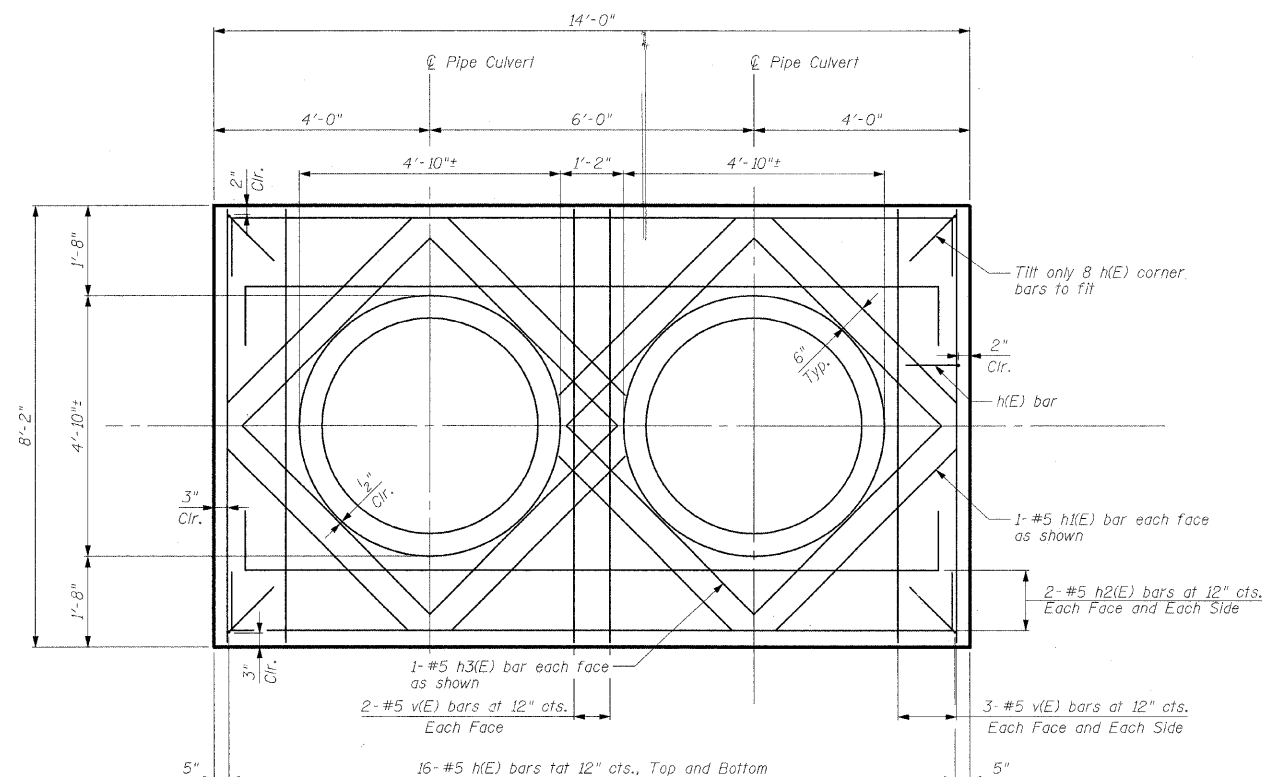
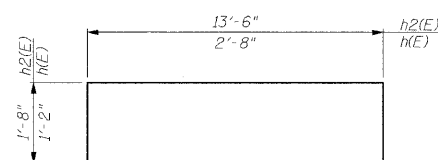


Contract G3211

Note:
Provide felt paper wrap all around pipe to serve as a bond breaker within the vicinity of the proposed concrete collar.



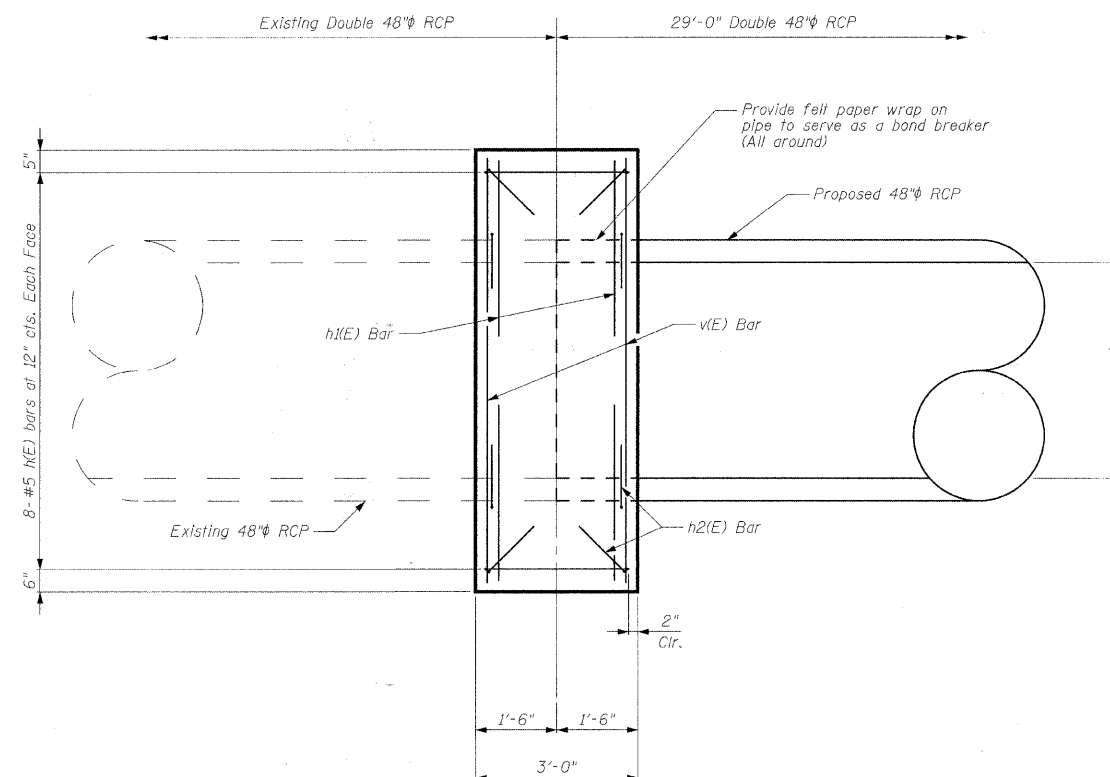
COLLAR FRONT VIEW
(Looking Upstream)



BARS h(E) & h2(E)

NOTES

Reinforcement Bars shall conform to the requirements of AASHTO M-31, M-42 or M-53, Grade 60.
Bars indicated thus 12 x 4-#5 etc. indicates 12 lines of bars with 4 lengths per line.
Reinforcement bars designated (E) shall be epoxy coated.
All construction joints shall be bonded.



COLLAR SIDE VIEW
(Facing East)

REINFORCING BAR SCHEDULE

Bar	No.	Size	Length	Shape	
h(E)	48	#5	16'-10"	U	
h2(E)	16	#5	5'-0"	U	
h2(E)	8	#5	5'-0"	U	
h3(E)	16	#5	5'-2"	U	
v(E)	16	#5	7'-9"	U	
* Reinforcement Bars, Epoxy Coated				Pound	1,190
* Concrete Superstructure				Cu. Yd.	11.4

* Item(s) to be paid for under "Concrete Collar".

DESIGN STRESSES

$f_y = 65,000$ psi (welded wire fabric)
 $f'_c = 5,000$ psi

REVISIONS	
NAME	DATE

URS 100 S. WACKER DR., SUITE 500 TEL (312)-939-1000
CHICAGO IL, 60606 FAX (312)-939-4198

VILLAGE OF HANOVER PARK
N.G.P.L. BIKE PATH
REINFORCED CONCRETE COLLAR
DETAILS

SCALE: DATE: DRAWN BY: VAP
CHECKED BY: YOO