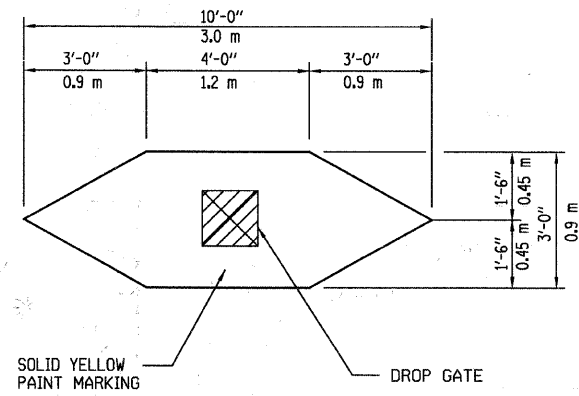
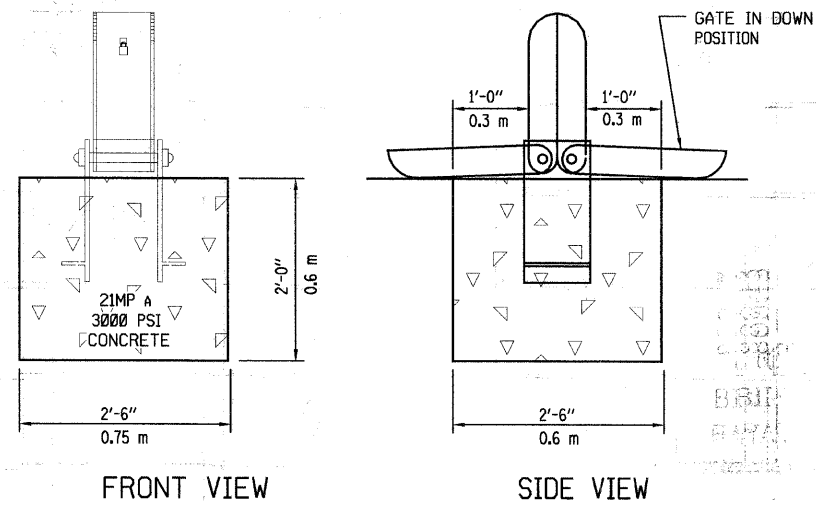


F.A. RTE.	SECTION	COUNTY	TOTAL SHEETS	SHEET NO.
	06-00054-00-BT	COOK	47	14



TIP DOWN GATE MARKING DETAIL
N.T.S.



TIP DOWN GATE INSTALLATION DETAIL
N.T.S.

REVISIONS	
NAME	DATE

URS 100 S. WACKER DR., SUITE 500 TEL (312)-939-1000
CHICAGO IL, 60606 FAX (312)-939-4198

VILLAGE OF HANOVER PARK
N.G.P.L. BIKE PATH

MISCELLANEOUS DETAILS

SCALE: 1"=20'
DATE:

DRAWN BY: VAP
CHECKED BY: YOO