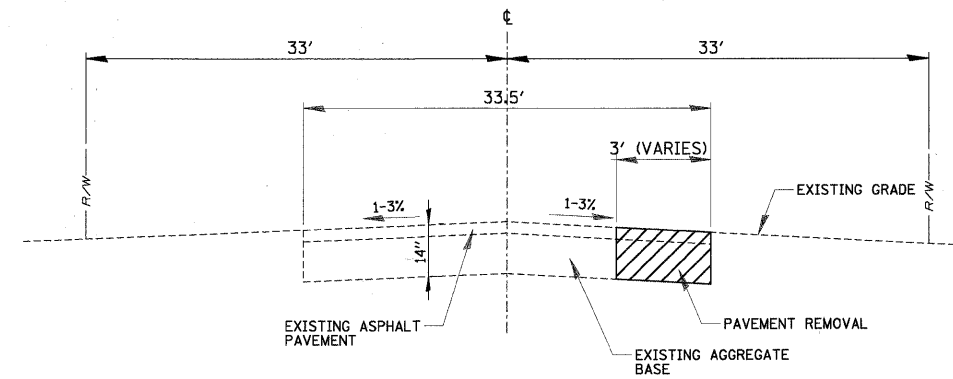
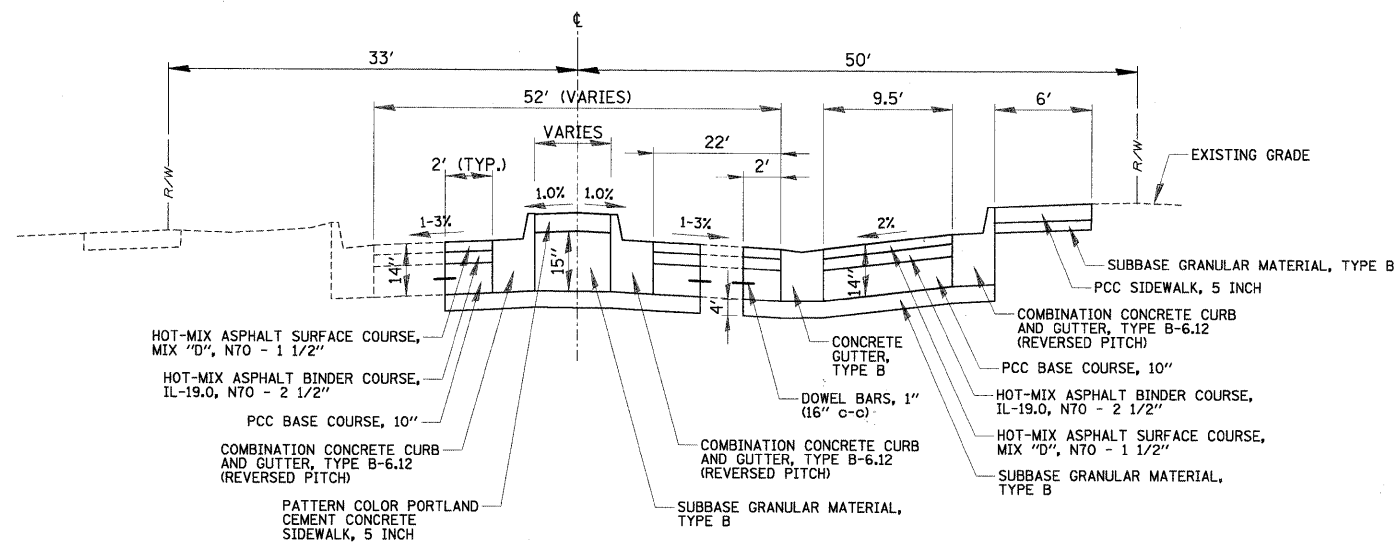


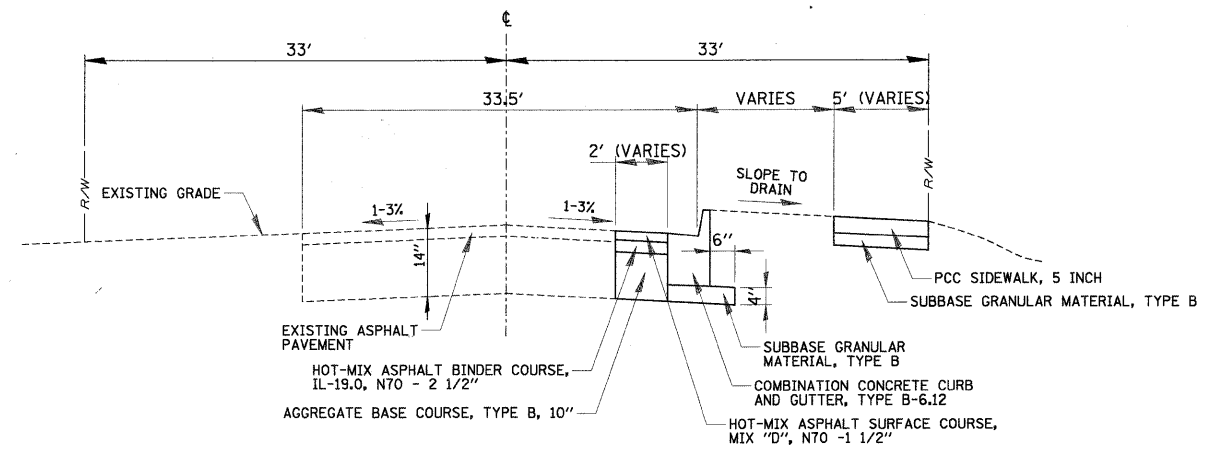
EXISTING TYPICAL SECTION
NOT TO SCALE



EXISTING TYPICAL SECTION
NOT TO SCALE



PROPOSED TYPICAL SECTION
NOT TO SCALE



PROPOSED TYPICAL SECTION
NOT TO SCALE

WOLF ROAD

WHITEHALL AVENUE

HOT-MIX ASPHALT MIXTURE REQUIREMENTS

ITEM	AC-TYPE	VOIDS
ROADWAYS		
HOT-MIX ASPHALT SURFACE COURSE, MIX "D", N70 (IL-9.5 MM)	PG 64-22	4% @ 70 GYR
HOT-MIX ASPHALT BINDER COURSE, IL-19.0, N70	PG 64-22*	4% @ 70 GYR

NOTE:

1. THE UNIT WEIGHT USED TO CALCULATE ALL HOT-MIX ASPHALT SURFACE MIXTURE QUANTITIES IS 112 LBS/SY/IN.

2. WHEN RAP EXCEEDS 20%, THE NEW ASPHALT BINDER IN THE MIX SHALL BE PG 58-22.

FILE NAME =
N:\NORTH LAKE\9400320C95\civ1\top1_9400320C95.sht

USER NAME = EDTODA
PLOT SCALE = N.T.S.
PLOT DATE = 7/6/2009

DESIGNED - AMP
DRAWN - EDT
CHECKED - MEW
DATE - 03/27/09

REVISED -
REVISED -
REVISED -
REVISED -

**STATE OF ILLINOIS
DEPARTMENT OF TRANSPORTATION**

TYPICAL SECTIONS

SCALE: SHEET NO. OF SHEETS STA. TO STA.

F.A. RTE.	SECTION	COUNTY	TOTAL SHEETS	SHEET NO.
2690	09-00069-00-SP	COOK	28	4
CONTRACT NO. 63222				
ILLINOIS FED. AID PROJECT				