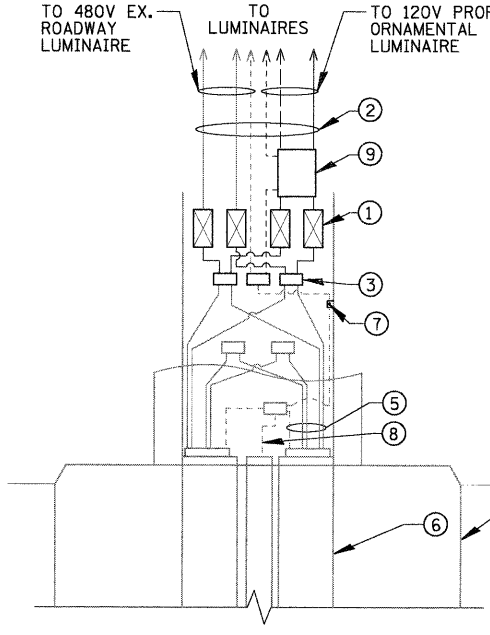


**SPLICING ELECTRIC CABLE**  
N.T.S.



**LIGHT POLE HANDHOLE WIRING DIAGRAM**  
N.T.S.

- 1 PROVIDE ALL NEW CONNECTOR KITS WITH (3A FUSES FOR EX. ROADWAY LUMINAIRES & 0.5A FUSES FOR TRANSFORMER) INSIDE A BREAKAWAY FUSE HOLDER & INSULATING BOOTS
- 2 NO. 10 A.W.G. XLP-TYPE USE WIRE
- 3 MULTIPLE COMPRESSION FITTINGS (SPICE)
- 4 EX. CONCRETE FOUNDATION
- 5 EX. WIRE AS SHOWN ON PLANS
- 6 EXISTING LIGHTING DUCT IN PVC RACEWAY
- 7 POLE GROUND LUG
- 8 GROUND WIRE TO EXISTING GROUND ROD
- 9 PROPOSED 0.10 KVA-480V TO 120V TRANSFORMER INSTALLED IN EXISTING POLE BASE

**PROPOSED TRANSFORMER**

General Purpose Dry Type Enclosure Model: Buck and Boost Class 7400 / Refer to Catalogs 7400CT0601, 7400CT0601, 7414CT0201

**Sealed Single- and Three-Phase Transformers**

KVA	Catalog No.	3 Phase	Full Capacity	Temp. Rise	Height (in)	Weight (lbs)	Enclosure
<b>Single Phase - 240 X 480 V Primary</b>							
<b>120/240 V Secondary 60 Hz; cULus Listed</b>							
1	100000	100000	100000	100000	100000	100000	100000
2	100000	100000	100000	100000	100000	100000	100000
3	100000	100000	100000	100000	100000	100000	100000
4	100000	100000	100000	100000	100000	100000	100000
5	100000	100000	100000	100000	100000	100000	100000
6	100000	100000	100000	100000	100000	100000	100000
7	100000	100000	100000	100000	100000	100000	100000
8	100000	100000	100000	100000	100000	100000	100000
9	100000	100000	100000	100000	100000	100000	100000
10	100000	100000	100000	100000	100000	100000	100000
11	100000	100000	100000	100000	100000	100000	100000
12	100000	100000	100000	100000	100000	100000	100000
13	100000	100000	100000	100000	100000	100000	100000
14	100000	100000	100000	100000	100000	100000	100000
15	100000	100000	100000	100000	100000	100000	100000
16	100000	100000	100000	100000	100000	100000	100000
17	100000	100000	100000	100000	100000	100000	100000
18	100000	100000	100000	100000	100000	100000	100000
19	100000	100000	100000	100000	100000	100000	100000
20	100000	100000	100000	100000	100000	100000	100000
21	100000	100000	100000	100000	100000	100000	100000
22	100000	100000	100000	100000	100000	100000	100000
23	100000	100000	100000	100000	100000	100000	100000
24	100000	100000	100000	100000	100000	100000	100000
25	100000	100000	100000	100000	100000	100000	100000
26	100000	100000	100000	100000	100000	100000	100000
27	100000	100000	100000	100000	100000	100000	100000
28	100000	100000	100000	100000	100000	100000	100000
29	100000	100000	100000	100000	100000	100000	100000
30	100000	100000	100000	100000	100000	100000	100000
31	100000	100000	100000	100000	100000	100000	100000
32	100000	100000	100000	100000	100000	100000	100000
33	100000	100000	100000	100000	100000	100000	100000
34	100000	100000	100000	100000	100000	100000	100000
35	100000	100000	100000	100000	100000	100000	100000
36	100000	100000	100000	100000	100000	100000	100000
37	100000	100000	100000	100000	100000	100000	100000
38	100000	100000	100000	100000	100000	100000	100000
39	100000	100000	100000	100000	100000	100000	100000
40	100000	100000	100000	100000	100000	100000	100000
41	100000	100000	100000	100000	100000	100000	100000
42	100000	100000	100000	100000	100000	100000	100000
43	100000	100000	100000	100000	100000	100000	100000
44	100000	100000	100000	100000	100000	100000	100000
45	100000	100000	100000	100000	100000	100000	100000
46	100000	100000	100000	100000	100000	100000	100000
47	100000	100000	100000	100000	100000	100000	100000
48	100000	100000	100000	100000	100000	100000	100000
49	100000	100000	100000	100000	100000	100000	100000
50	100000	100000	100000	100000	100000	100000	100000
51	100000	100000	100000	100000	100000	100000	100000
52	100000	100000	100000	100000	100000	100000	100000
53	100000	100000	100000	100000	100000	100000	100000
54	100000	100000	100000	100000	100000	100000	100000
55	100000	100000	100000	100000	100000	100000	100000
56	100000	100000	100000	100000	100000	100000	100000
57	100000	100000	100000	100000	100000	100000	100000
58	100000	100000	100000	100000	100000	100000	100000
59	100000	100000	100000	100000	100000	100000	100000
60	100000	100000	100000	100000	100000	100000	100000
61	100000	100000	100000	100000	100000	100000	100000
62	100000	100000	100000	100000	100000	100000	100000
63	100000	100000	100000	100000	100000	100000	100000
64	100000	100000	100000	100000	100000	100000	100000
65	100000	100000	100000	100000	100000	100000	100000
66	100000	100000	100000	100000	100000	100000	100000
67	100000	100000	100000	100000	100000	100000	100000
68	100000	100000	100000	100000	100000	100000	100000
69	100000	100000	100000	100000	100000	100000	100000
70	100000	100000	100000	100000	100000	100000	100000
71	100000	100000	100000	100000	100000	100000	100000
72	100000	100000	100000	100000	100000	100000	100000
73	100000	100000	100000	100000	100000	100000	100000
74	100000	100000	100000	100000	100000	100000	100000
75	100000	100000	100000	100000	100000	100000	100000
76	100000	100000	100000	100000	100000	100000	100000
77	100000	100000	100000	100000	100000	100000	100000
78	100000	100000	100000	100000	100000	100000	100000
79	100000	100000	100000	100000	100000	100000	100000
80	100000	100000	100000	100000	100000	100000	100000
81	100000	100000	100000	100000	100000	100000	100000
82	100000	100000	100000	100000	100000	100000	100000
83	100000	100000	100000	100000	100000	100000	100000
84	100000	100000	100000	100000	100000	100000	100000
85	100000	100000	100000	100000	100000	100000	100000
86	100000	100000	100000	100000	100000	100000	100000
87	100000	100000	100000	100000	100000	100000	100000
88	100000	100000	100000	100000	100000	100000	100000
89	100000	100000	100000	100000	100000	100000	100000
90	100000	100000	100000	100000	100000	100000	100000
91	100000	100000	100000	100000	100000	100000	100000
92	100000	100000	100000	100000	100000	100000	100000
93	100000	100000	100000	100000	100000	100000	100000
94	100000	100000	100000	100000	100000	100000	100000
95	100000	100000	100000	100000	100000	100000	100000
96	100000	100000	100000	100000	100000	100000	100000
97	100000	100000	100000	100000	100000	100000	100000
98	100000	100000	100000	100000	100000	100000	100000
99	100000	100000	100000	100000	100000	100000	100000
100	100000	100000	100000	100000	100000	100000	100000

**ORNAMENTAL LUMINAIRE MODEL SCHEDULE**

MANUFACTURER OR APPROVED EQUAL	ORNAMENTAL LUMINAIRE	DECORATIVE ARM	LUMINAIRE CUSTOM FINISH
A STERNBERG	1432 5P/TAWB/35HPS120/HPS35 MED/CM	TAWB	SHERWIN WILLIAMS CHROMAL-BONDED (UCF8-C0001)
B HADCO	R54CDJC1SILVER DND35S120VOLT	PTW2780	STANDARD SILVER FACTORY FINISH
C HOLOPHANE	GVU35DHP12A8SBA	PCPWB-CA/CC	SHERWIN WILLIAMS CHROMAL-BONDED (UCF8-C0001)

- NOTES:**
1. EXISTING ROADWAY LUMINAIRES OPERATE AT 480 VOLTS AND PROPOSED ORNAMENTAL LUMINAIRES SHALL BE WIRED FOR 120 VOLTS OPERATION.
  2. LUMINAIRE SHALL BE U/L LISTED.
  3. CONTRACTOR SHALL DRILL EXISTING LIGHT POLE FOR PROPOSED WIRING AND PROVIDE A RUBBER GROMMET TYPE PROTECTIVE BUSHING FOR CONNECTION OF PROPOSED ORNAMENTAL LUMINAIRE TO EXISTING LIGHTING CIRCUITRY. CONTRACTOR SHALL COORDINATE CLAMP-ON ARM MOUNTING BRACKET SIZE (BASED ON POST DIA. AT MOUNTING POINT) WITH PROPOSED LUMINAIRE MANUFACTURER AND PROVIDE ALL NECESSARY FASTENERS/CONNECTORS.
  4. PROPOSED 0.10 KVA, 240/480V PRIMARYx120/240V SECONDARY TRANSFORMER IN A NEMA 3R ENCLOSURE TO BE LOCATED IN POLE BASE (SEE HANDHOLE WIRING DIAGRAM FOR PROPOSED CONNECTION).

CIRCUIT ID	400W-480V ROADWAY LUMINAIRES	LOAD (WATTS)	35W-120V ORNAMENTAL LUMINAIRES	LOAD (WATTS)	TOTAL CIRCUIT LOAD (WATTS)
A	11	469 W	2	46 W	5251 W
B	10	469 W	2	46 W	4782 W
C	7	469 W	-	-	3283 W
D	6	469 W	-	-	2814 W
TOTAL	34	N/A	4	N/A	16,130 W

NOTE: PROPOSED LOADS ARE SHOWN IN BOLD AND EXISTING LOADS ARE SHOWN IN GRAYSCALE.

**EXISTING LIGHTING CONTROLLER CIRCUIT LOADS**

General Purpose Dry Type Enclosure Model: Buck and Boost Class 7400 / Refer to Catalogs 7400CT0601, 7400CT0601, 7414CT0201

**Enclosures: Accessories**

Enclosure Dimensions and Accessories

Enclosure Style	Height (in)	Width (in)	Depth (in)	Weight (lbs)	Material	Mounting	Color	Insulation Class
-----------------	-------------	------------	------------	--------------	----------	----------	-------	------------------