

CONTROL CENTER WIRING DETAIL

ITEM	SPECIFICATION OR EQUAL
1	MAIN CIRCUIT BREAKER 200 AMPERE, 2 POLE, 480 VOLT RATING
2	LAMPHOLDER CIRCUIT BREAKER 15 AMPERE, 1 POLE, 240 VOLT RATING
3	PHOTOELECTRIC CONTROL CIRCUIT BREAKER 15 AMPERE, 1 POLE, 240 VOLT RATING
4	AUXILIARY RELAY 240 VOLT SPST 60 HZ COIL
5	FUSE 5 AMPERE
6	LAMPHOLDER WITH OUTLET 120 VOLT PORCELAIN LAMPHOLDER WITH PULL CHAIN & LAMP, & GROUNDED OUTLET
7	REMOTE CONTROL SWITCH 200 AMPERE, 2 POLE, 480 VOLT RATING
8	BRANCH LINE CIRCUIT BREAKERS 60 AMPERE, 2 POLE, 480 VOLT RATING
9	FOUR POINT TERMINAL BLOCK 600 VOLT
10	SERVICE CABLES 3-600V (XLP-TYPE USE) NO. 3/0
11	LAMPHOLDER WIRE 2-600V XLP NO. 10
12	CONTROL WIRE 2-600V XLP NO. 10
13	BRANCH LINE CABLES 4-600V XLP NO. 4 AND 1-1/2 600V XLP NO. 6 GROUND IN A 1 1/2" DIAMETER UNIT DUCT
14	PHOTOELECTRIC CONTROL WIRE 3-600V XLP NO. 10
15	LIGHTING POLE WIRE 2-600V XLP NO. 10 CABLES WITH POLE GROUND AND FUSING
16	HAND-AUTO-OFF CONTROL SWITCH 10 AMPERE, 3 POLE, 240 VOLT
17	DRY TYPE TRANSFORMER 0.5 KVA, 240/120 VOLT

PHOTO CELL FISHER PIERCE SERIES 7700 240 VOLT SPST PHOTO CELL TO BE MOUNTED ON TOP OF THE NEAREST POLE SOUTH OF THE CONTROL CENTER.

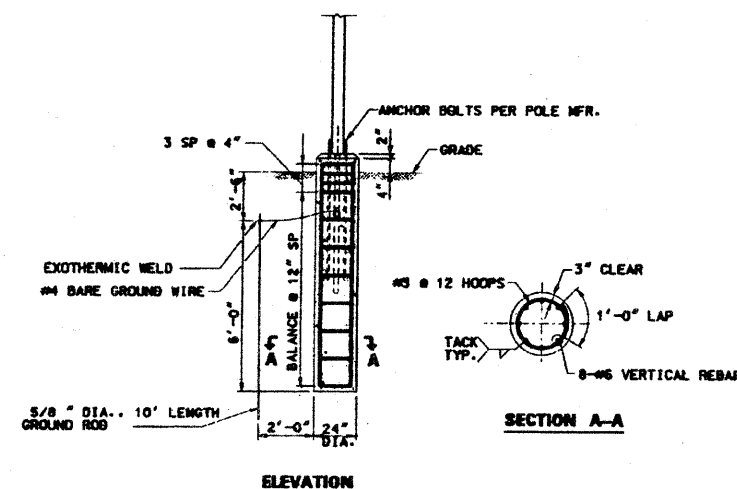
CIRCUIT NUMBER	TOTAL LIGHT STANDARDS	TOTAL AMPERAGE LOAD
A	11	12.1A
B	10	11A
C	7	7.7A
D	6	6.6A

LIGHTING CIRCUIT AMPERAGE LOADS

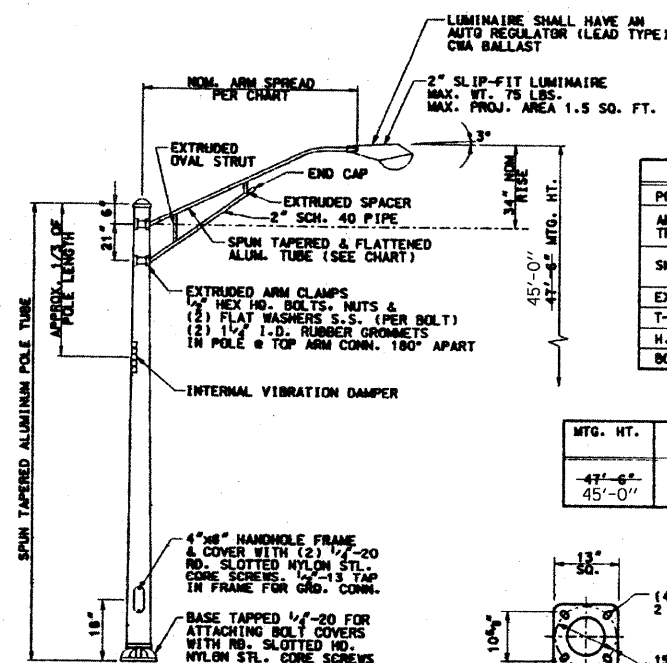
NOTE:
ALL CONDUCTORS IN THE UNIT DUCT RUNS SHALL HAVE INDIVIDUALLY COLOR CODED INSULATION THROUGHOUT THE ENTIRE LENGTH OF THE CONDUCTOR. THE COLOR IDENTIFICATION FOR THE SYSTEM GROUND SHALL BE GREEN. THE FOUR (4) PHASE CONDUCTORS SHALL BE IN ACCORDANCE WITH STANDARD I. D. O. T. PRACTICES FOR WIRING MULTICONDUCTOR CIRCUITS IN SINGLE UNIT DUCT RUNS.

24 IN. DIA. FOUNDATION DEPTH TABLE
DESIGN BASE ON 80 M.P.H. AASHTO WIND LOADING

TYPE OF SOIL	FOUNDATION DEPTH D	REINFORCEMENT IN FOUNDATION	
		VERTICAL BARS	HORIZONTAL BARS
ROCK OR SOLIDIFIED SLAG	5'-0"	NONE	NONE
DENSE SAND	7'-9"	8-#6 x 7'-4"	#5 x 73'
MEDIUM SAND	8'-3"	8-#6 x 7'-10"	#5 x 78'
LOOSE SAND	9'-0"	8-#6 x 8'-7"	#5 x 85'
STIFF CLAY	7'-0"	8-#6 x 6'-7"	#5 x 66'
MEDIUM CLAY	9'-6"	8-#6 x 9'-1"	#5 x 90'
SOFT CLAY	13'-0"	8-#6 x 12'-7"	#5 x 122'



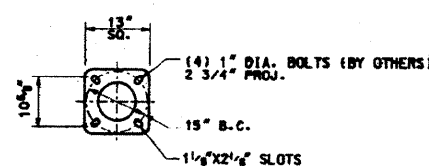
CONCRETE FOUNDATION DETAIL



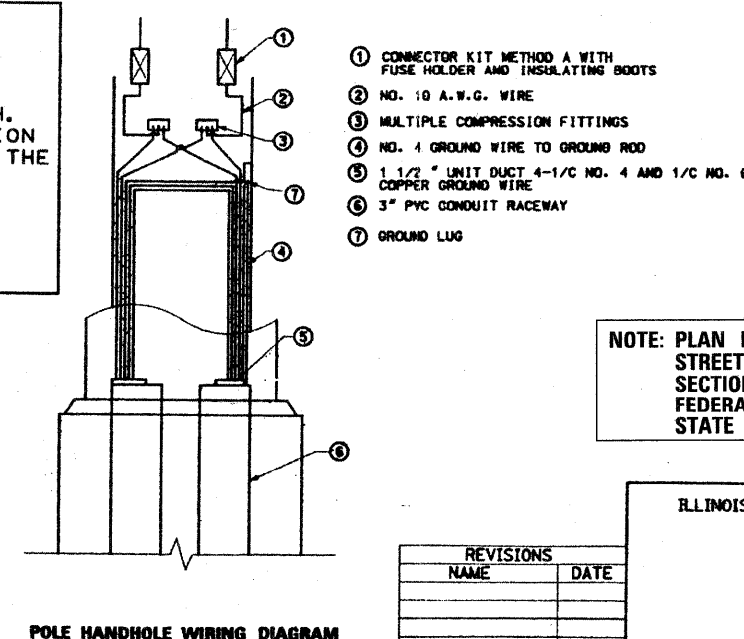
LIGHT STANDARD DETAIL

MATERIAL SPECIFICATIONS	
POLE & ARM TUBES	6063-T6
ANCHOR BASE & TRANSFORMER BASE	AA356-T6
SMALL HARDWARE	AISI 300 SERIES STN. STL.
EXTRUSIONS	6063-T6
T-BASE CORR. HROW	ASTM-A307
H.W. FRAME	AA356-T6
BOLT COVERS	ASTM-A253(AA356)

MTG. HT.	POLE SIZE	ARM SPREAD	ARM TUBE SIZE
43'-6"	.250"-10.0X6.0X45'-2"	15 FT.	125"W-4.0" O.D.
45'-0"			



BASE DATA



POLE HANDHOLE WIRING DIAGRAM

NOTE: PLAN DRAWING FROM WOLF ROAD STREET LIGHTING RECORD DRAWINGS SECTION: 96-00044-00-LT FEDERAL PROJECT: STPM-7003 (353) STATE SECTION: 2527L

REVISIONS	
NAME	DATE

ILLINOIS DEPARTMENT OF TRANSPORTATION
WOLF ROAD STREET LIGHTING
DETAILS - 1