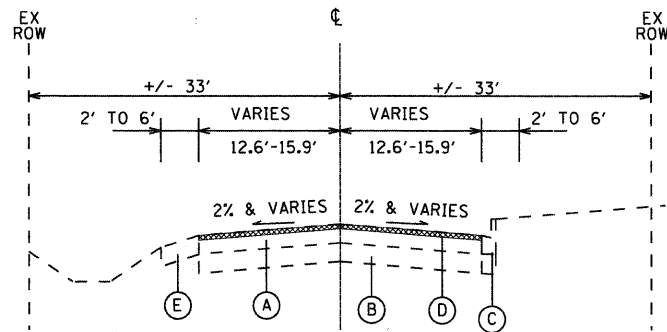
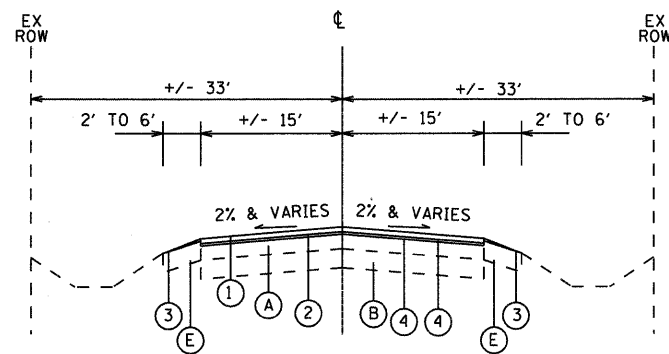


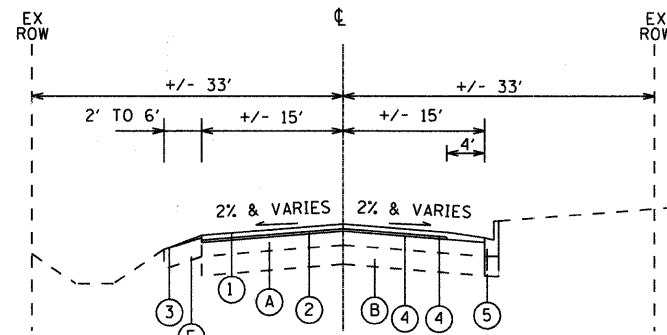
EXISTING  
GARFIELD STREET  
STATION 9+65 TO 20+11  
STATION 21+10 TO 33+80



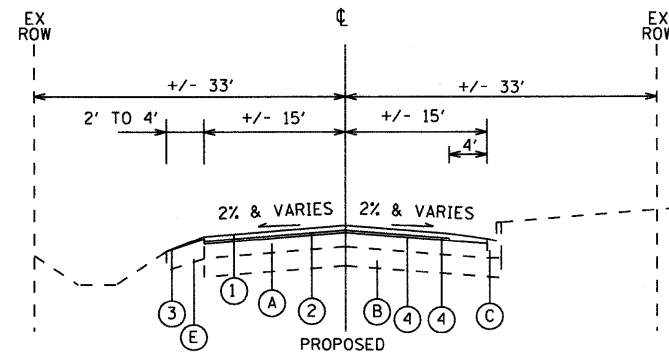
EXISTING  
GARFIELD STREET  
STATION 20+11 TO 21+10



PROPOSED  
GARFIELD STREET  
STATION 9+65 TO 18+60;  
STATION 21+10 TO 35+80



PROPOSED  
GARFIELD STREET  
STATION 18+60 TO 20+11  
STATION 20+80 TO 21+10



PROPOSED  
GARFIELD STREET  
STATION 20+11 TO 20+80  
STATION 20+98 TO 21+10

GARFIELD STREET ROAD NOTES

1. SEE CONSTRUCTION DETAILS FOR INFORMATION ON HMA TRANSITION AT CURB (SEE SHEET NO 8).
2. SEE CONSTRUCTION DETAILS FOR DRIVEWAY TREATMENT (SEE SHEET NO 8).
3. RESURFACING LIMITS ARE AT EXISTING CURB LINE OR SHOULDER
4. SEE PLAN SHEET FOR LIMITS OF SHOULDER AND CURB SECTIONS
5. PROPOSED CROSS SLOPE WILL MATCH EXISTING CROSS SLOPE

EXISTING LEGEND

- (A) EXISTING BITUMINOUS PAVEMENT
- (B) EXISTING AGGREGATE BASE
- (C) EXISTING CONCRETE CURB OR CURB AND GUTTER
- (D) PROPOSED HOT-MIX ASPHALT SURFACE REMOVAL - 1 1/2"
- (E) EXISTING AGGREGATE SHOULDER

PROPOSED LEGEND

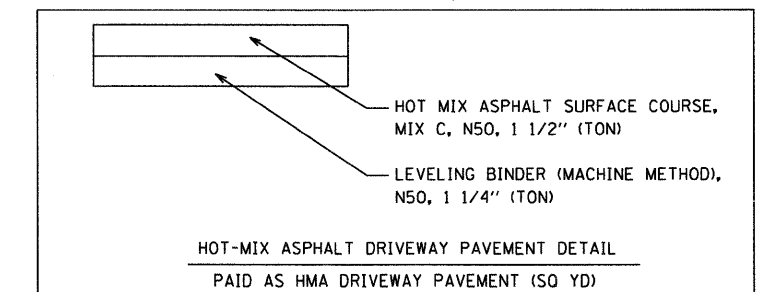
- ① HOT MIX ASPHALT SURFACE COURSE, MIX C, N50, 1 1/2" (TON)
- ② LEVELING BINDER (MACHINE METHOD), N50, 1 1/4" (TON)
- ③ AGGREGATE SHOULDERS, TYPE B (WIDTH VARIES 2'-4')
- ④ BITUMINOUS MATERIALS (PRIME COAT) AND AGGREGATE (PRIME COAT)
- ⑤ COMBINATION CONCRETE CURB AND GUTTER TYPE B6.12

HOT-MIX ASPHALT MIXTURE REQUIREMENT

ITEM DESCRIPTION	AC TYPE	VOIDS
HOT MIX ASPHALT SURFACE COURSE, MIX C, N50 (IL-9.5mm)	PG 64-22	4.0% @ 50 Gyr.
LEVELING BINDER (MACHINE METHOD), N50	PG 64-22	4.0% @ 50 Gyr.
CLASS D PATCHES, HOT-MIX ASPHALT BINDER COURSE, IL-19.0	PG 64-22	4.0% @ 70 Gyr.

THE UNIT WEIGHT USED TO CALCULATED ALL HOT-MIX ASPHALT SURFACE MIXTURE QUANTIFIED IS 112 LBS/SY/IN.

• WHEN RAP EXCEEDS 20%, THE NEW ASPHALT BINDER IN THE MIX SHALL BE PG 58-22



USER NAME = djohanson	DESIGNED - D. JOHANSON	REVISED -
PLDT SCALE = N/A	DRAWN - DCJ	REVISED -
PLDT DATE = 6/29/2009	CHECKED - GFR	REVISED -
	DATE - 7/1/09	REVISED -

CITY OF HARVARD  
GARFIELD STREET RESURFACING

TYPICAL SECTIONS

SCALE: N/A SHEET NO. 3 OF 10 SHEETS STA. TO STA.

F.A. RTE.	SECTION	COUNTY	TOTAL SHEETS	SHEET NO.
	09-00061-00-RS	MCHENRY	10	3
FED. ROAD DIST. NO.			ILLINOIS FED. AID PROJECT	

CONTRACT NO. 63232