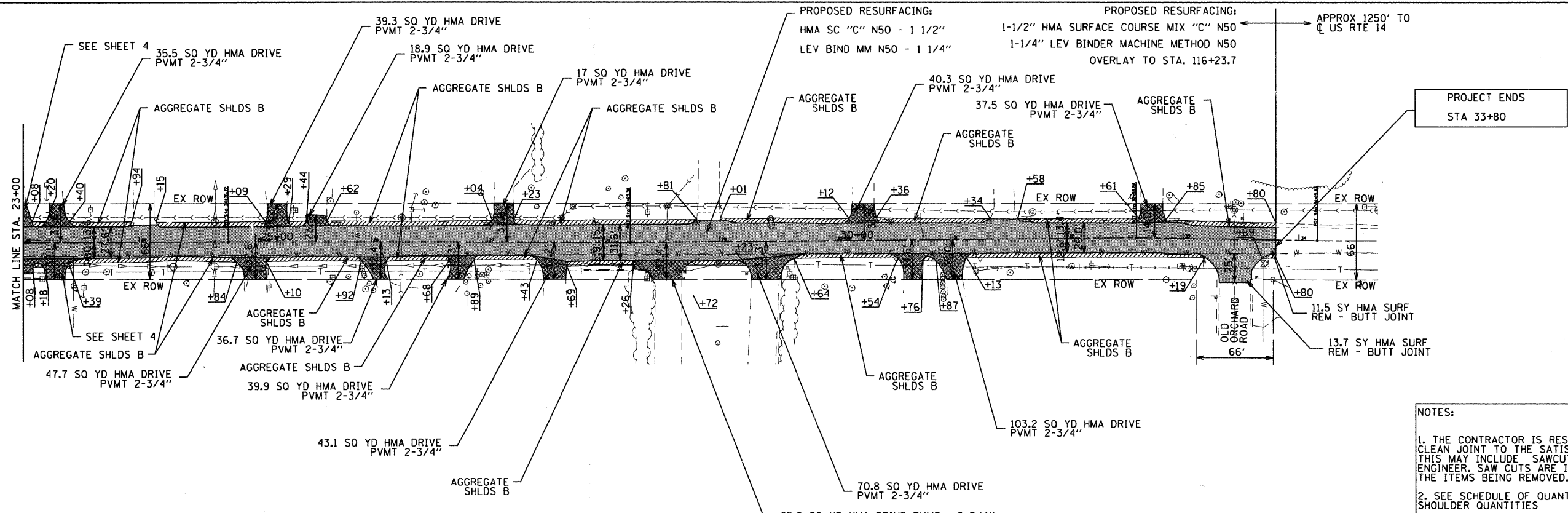


NOTES:

1. THE COST FOR PAVEMENT REMOVAL IS INCLUDED IN THE CONTRACT UNIT PRICE FOR CLASS D PATCHES. THE CONTRACTOR WILL BE PAID SEPARATELY FOR THE HMA SURFACE REMOVAL IF IT OCCURS PRIOR TO PAVEMENT REMOVAL.
2. THE COST FOR AGGREGATE REMOVAL FOR DRIVEWAYS SHALL BE INCLUDED IN THE COST OF HMA DRIVEWAY PAVEMENT NO ADDITIONAL COMPENSATION WILL BE ALLOWED.

EXISTING CONDITIONS AND REMOVALS



NOTES:

1. THE CONTRACTOR IS RESPONSIBLE FOR PROVIDING A CLEAN JOINT TO THE SATISFACTION OF THE ENGINEER THIS MAY INCLUDE SAWCUTS AS DIRECTED BY THE ENGINEER. SAW CUTS ARE INCLUDED IN THE COST OF THE ITEMS BEING REMOVED.
2. SEE SCHEDULE OF QUANTITIES FOR AGGREGATE SHOULDER QUANTITIES

NOTE:
STRUCTURES MARKED BY AN "A" DENOTES FRAMES AND LIDS TO BE ADJUSTED

PROPOSED PLAN



USER NAME = djohanson	DESIGNED - D. JOHANSON	REVISED -
PLOT SCALE = 1"=50'	DRAWN - DCJ	REVISED -
PLOT DATE = 6/29/2009	CHECKED - GFR	REVISED -
	DATE - 7/1/09	REVISED -

**CITY OF HARVARD
GARFIELD STREET RESURFACING**

**ROADWAY PLAN
GARFIELD STREET**

SCALE: 1"=50' SHEET NO. 5 OF 10 SHEETS STA. 23+00 TO STA. 33+80

F.A. RTE.	SECTION	COUNTY	TOTAL SHEETS	SHEET NO.
	09-00061-00-RS	MCHENRY	10	5
FED. ROAD DIST. NO.			ILLINOIS FED. AID PROJECT	

CONTRACT NO. **63232**