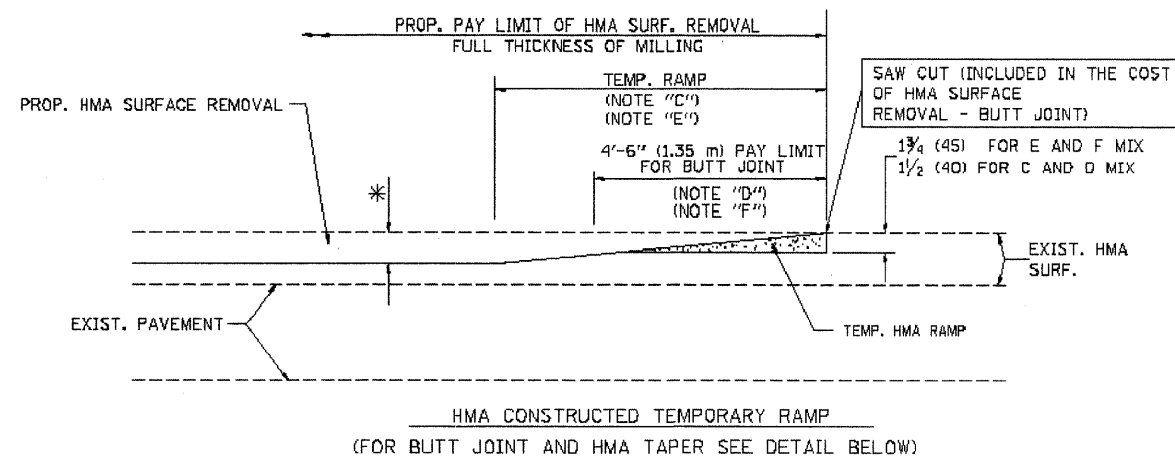
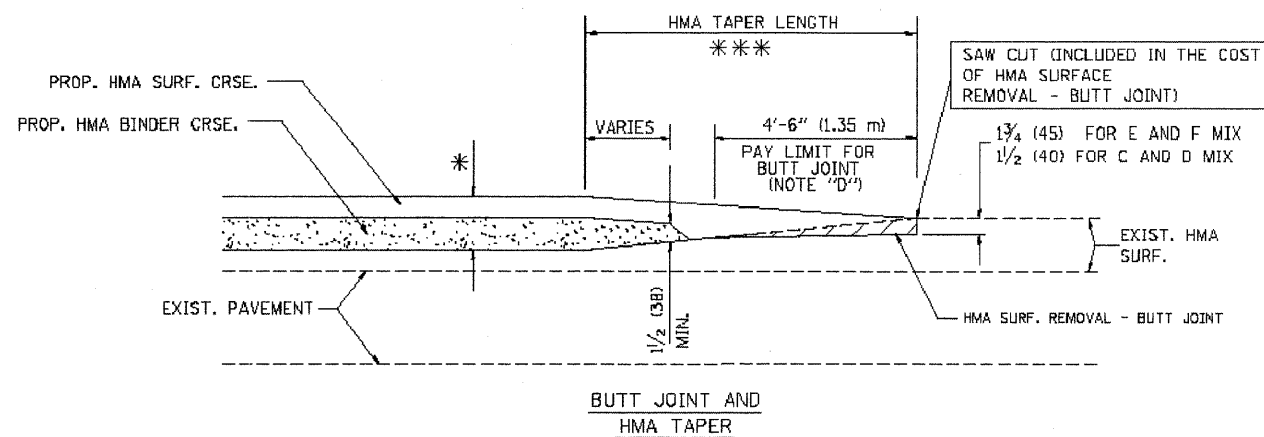


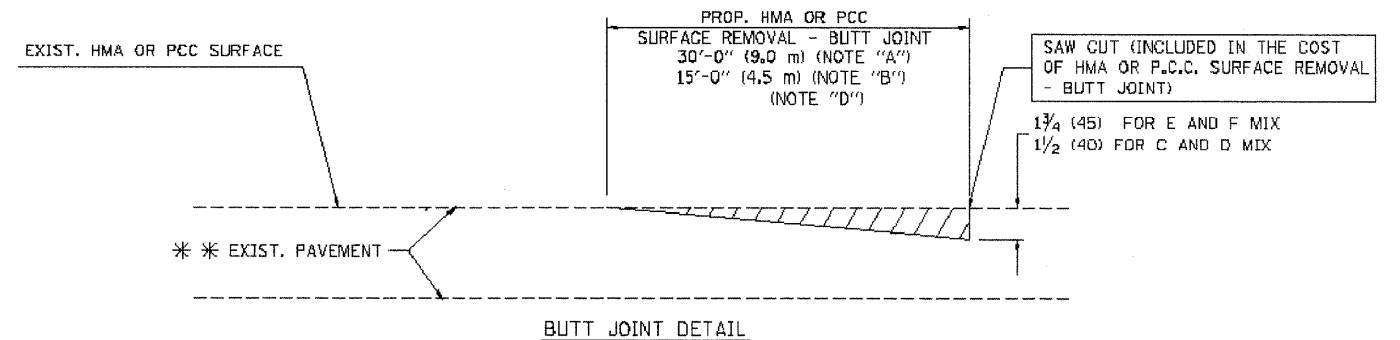
OPTION 1



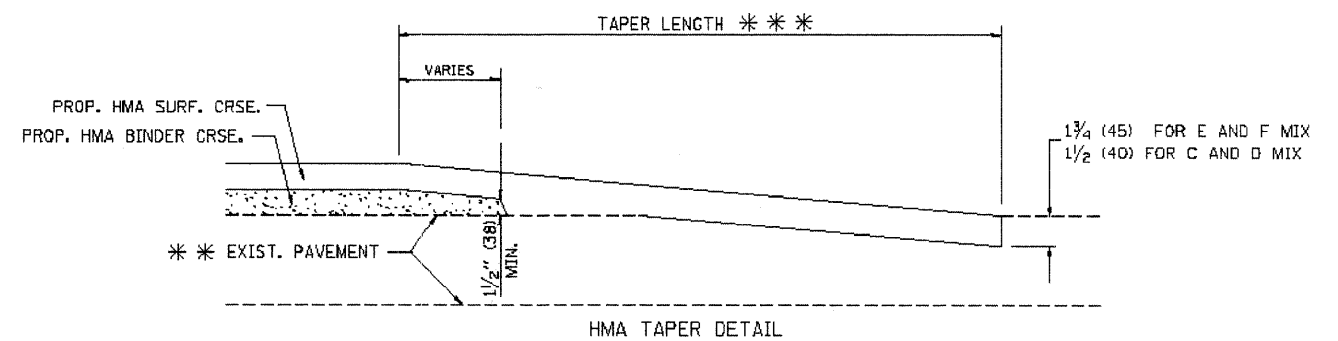
OPTION 2
TYPICAL TEMPORARY RAMP



TYPICAL BUTT JOINT AND HMA TAPER
FOR MILLING AND RESURFACING



BUTT JOINT DETAIL



TYPICAL BUTT JOINT AND HMA TAPER
FOR RESURFACING ONLY

*** PC CONCRETE, HMA OR HMA RESURFACED PAVEMENT.

NOTES

- A: MAINLINE ROADWAYS AND MAJOR SIDE ROADS.
 - B: MINOR SIDE ROADS.
 - C: THE TEMP. RAMP SHALL BE CONSTRUCTED IMMEDIATELY UPON REMOVAL OF THE EXISTING HMA SURFACE.
 - D: THE BUTT JOINT SHALL BE CONSTRUCTED IMMEDIATELY PRIOR TO PLACING THE PROPOSED HMA COURSES.
 - E: TAPER THE TEMP. RAMP AT A RATE OF 3'-0" (900 mm) PER 1 INCH (25 mm) OF MILLING THICKNESS.
 - F: INSTALLATION AND REMOVAL OF THE 4'-6" (1.35 m) TEMP. RAMP IS INCLUDED IN COST OF HMA SURFACE REMOVAL - BUTT JOINT
 - G: SEE ARTICLE 406.08 AND 406.14 OF THE STANDARD SPECIFICATIONS FOR "HMA AND/OR PCC SURFACE REMOVAL, BUTT JOINT".
- * SEE TYPICAL SECTIONS FOR MILLING THICKNESS.
- *** 20'-0" (6.1 m) PER 1 (25) RESURFACING (NOTE "A")
10'-0" (3.0 m) PER 1 (25) RESURFACING (NOTE "B")

BASIS OF PAYMENT:

THE BUTT JOINT WILL BE PAID FOR AT THE CONTRACT UNIT PRICE PER SQUARE YARD (SQUARE METER) FOR "HOT-MIX ASPHALT SURFACE REMOVAL - BUTT JOINT" OR FOR "PORTLAND CEMENT CONCRETE SURFACE REMOVAL - BUTT JOINT".

ALL DIMENSIONS ARE IN INCHES (MILLIMETERS) UNLESS OTHERWISE SHOWN.

Drawing file: W:\Projects\56509072 - 9TH Avenue_Alt-LAPP\MARKINGS.dwg Jul 16, 2009 - 9:34am

FILE NAME =
W:\dstart\22x34\bd92.dgn

| | | |
|----------------------------|-----------------------|-----------------------------|
| USER NAME = geglancst | DESIGNED - M. DE YONG | REVISED - R. SHAH 10-25-94 |
| PLOT SCALE = 50.0000' / IN | DRAWN - | REVISED - A. ABBAS 03-21-97 |
| PLOT DATE = 1/4/2008 | CHECKED - | REVISED - M. GOMEZ 04-06-01 |
| | DATE - 06-13-90 | REVISED - R. BORO 01-01-07 |

STATE OF ILLINOIS
DEPARTMENT OF TRANSPORTATION

BUTT JOINT AND
HMA TAPER DETAILS

SCALE: NONE SHEET NO. 1 OF 1 SHEETS STA. TO STA.

| | | | | |
|--|------------------------|--------------------|-----------------|--------------|
| F.A. RTE. 2733 | SECTION 09-00131-00-RS | COUNTY COOK | TOTAL SHEETS 17 | SHEET NO. 13 |
| RD400-05 RD32 | | CONTRACT NO. 63255 | | |
| FED. ROAD DIST. NO. 1 ILLINOIS FED. AID PROJECT ARA-9003 (319) | | | | |

E.H.E. PROJECT NO. 565-09-07201