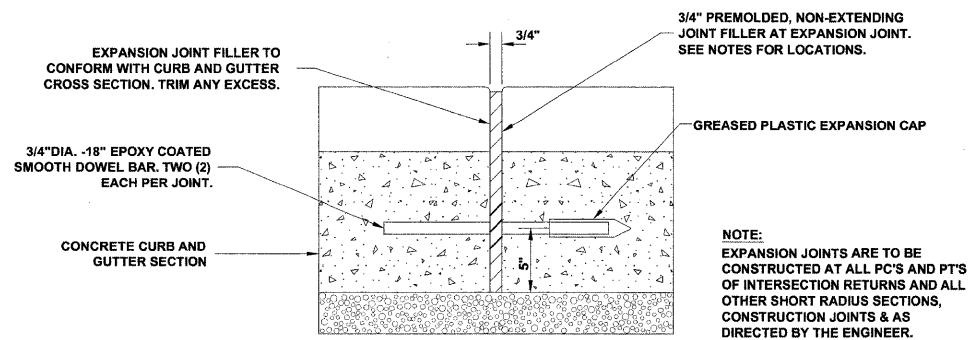
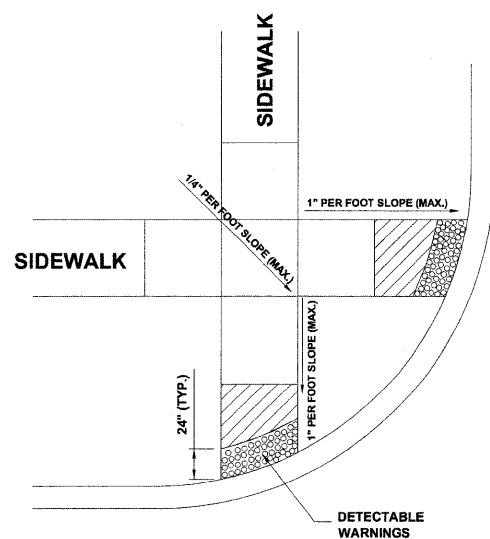


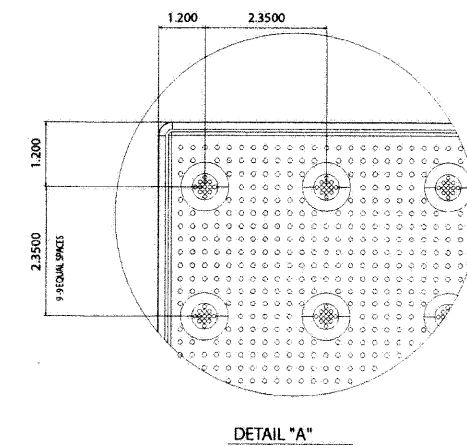
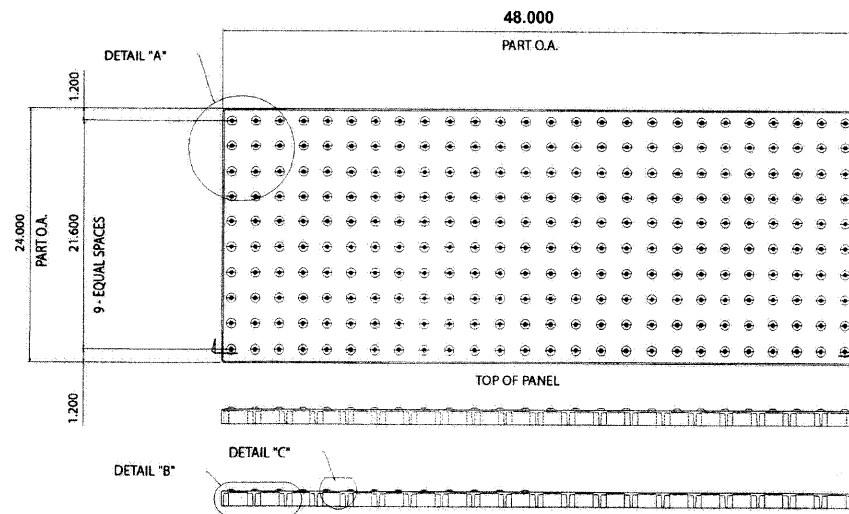
**COMBINATION CONCRETE CURB & GUTTER
TYPE B-6.12 (MODIFIED)**



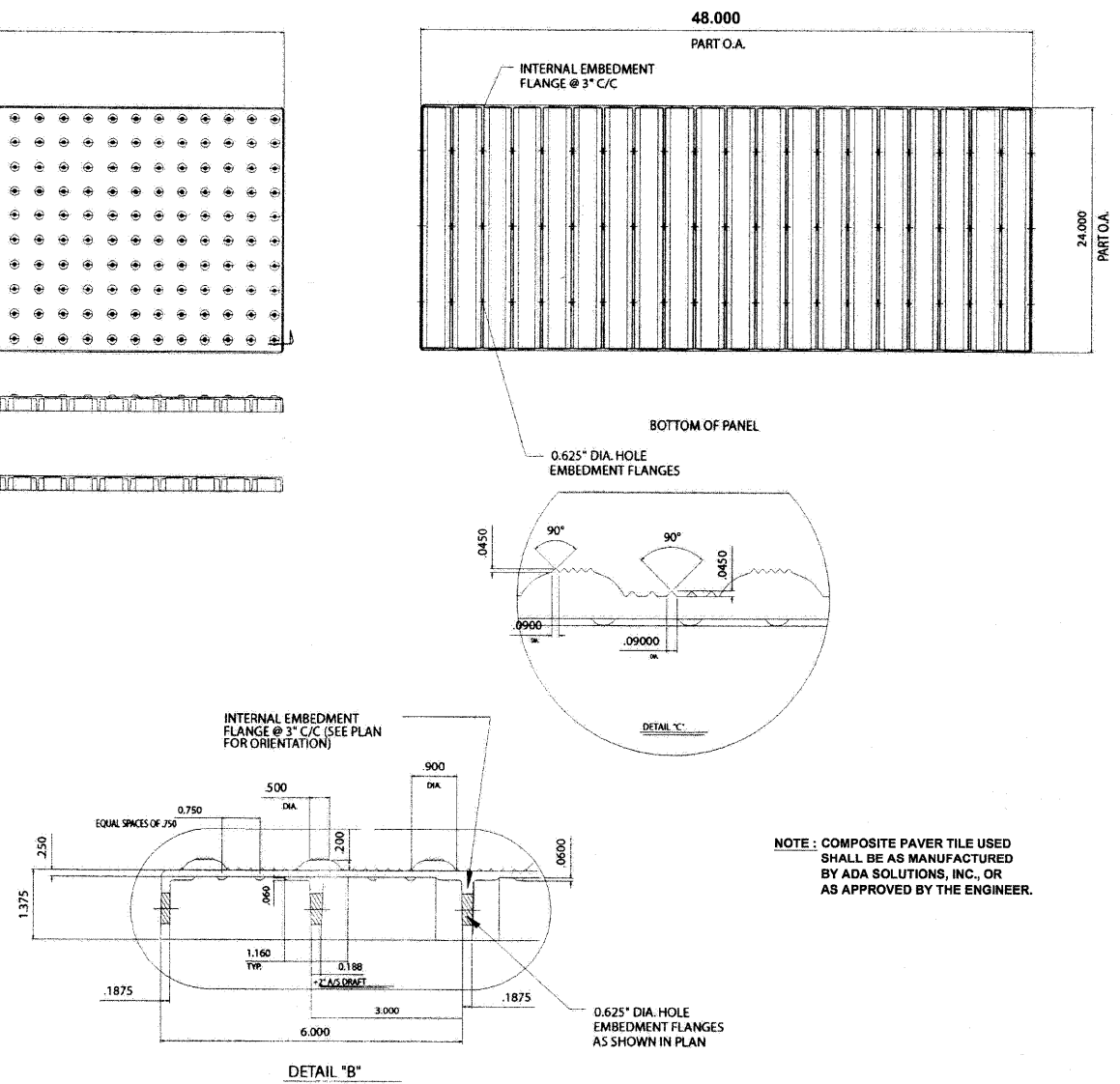
**TYPICAL CURB AND GUTTER
EXPANSION JOINT**



A.D.A. RAMP



CAST-IN-PLACE DETECTABLE WARNINGS



NOTE: COMPOSITE PAVER TILE USED SHALL BE AS MANUFACTURED BY ADA SOLUTIONS, INC., OR AS APPROVED BY THE ENGINEER.

Drawing file: W:\Projects\32809102 - Westchester Blvd Resurfacing Detail-WestchesterBldg.dwg Jul 14, 2009 - 9:54am



USER NAME	DESIGNED TG	REVISED
PLOT SCALE	DRAWN TG	REVISED
PLOT DATE	CHECKED JG	REVISED
	DATE 07/14/09	REVISED

**STATE OF ILLINOIS
DEPARTMENT OF TRANSPORTATION**

DETAILS

SCALE: NONE SHEET NO. OF SHEETS STA. TO STA.

ROUTE NO.	SECTION	COUNTY	TOTAL SHEETS	SHEET NO.
FAU 2713	09-00074-00-RS	COOK	18	6
CONTRACT NO. 63257			FED. ROAD DIST. NO. 1 ILLINOIS FED. AID PROJECT ARA-9003(324)	

E.H.E. PROJECT NO. 838-09-10201