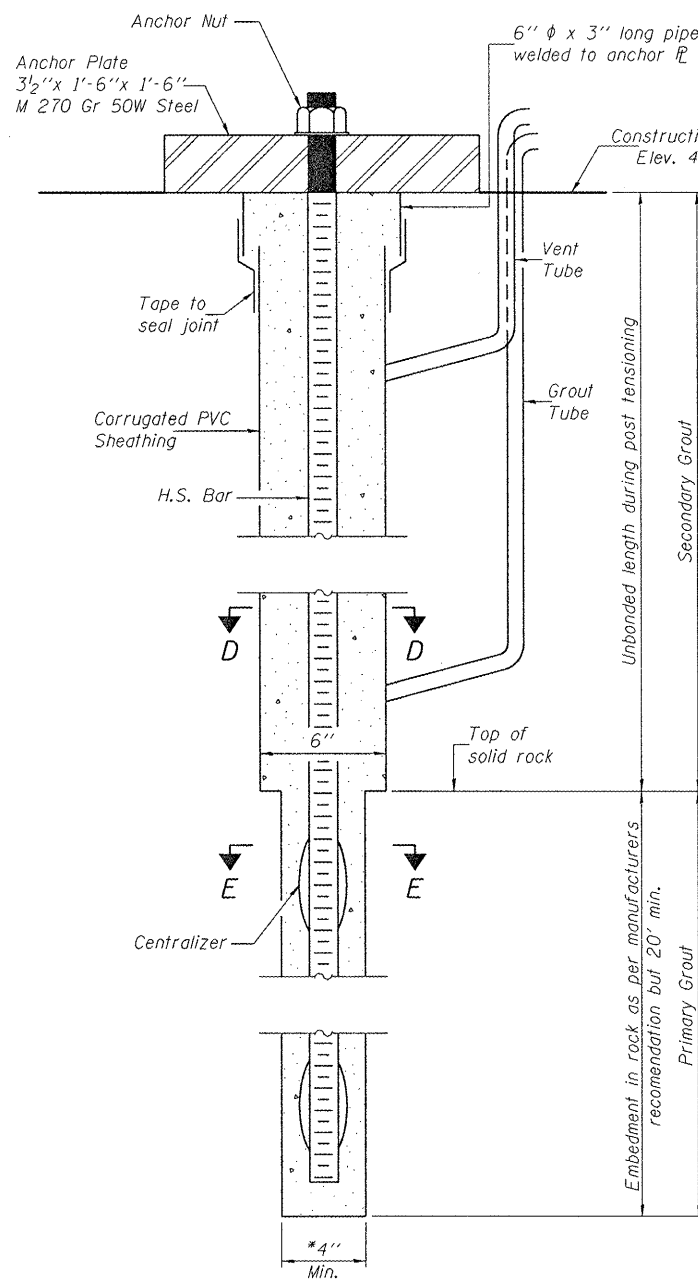
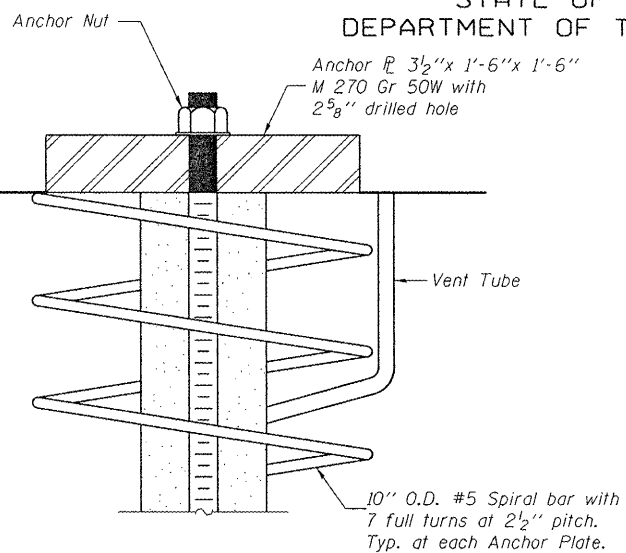


STATE OF ILLINOIS
DEPARTMENT OF TRANSPORTATION

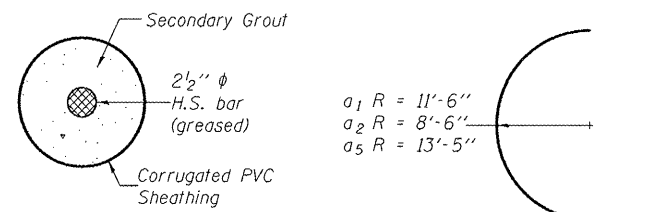


H.S. BAR ANCHOR ASSEMBLY (PRIMARY)
(See Special Provisions)

Notes: The anchor assembly shown applies to threaded bars.
H.S. denotes High Strength Steel.
*Hole diameter as per manufacturers recommendation.

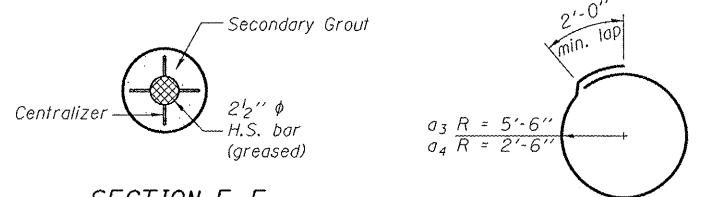


TOP ANCHOR DETAIL



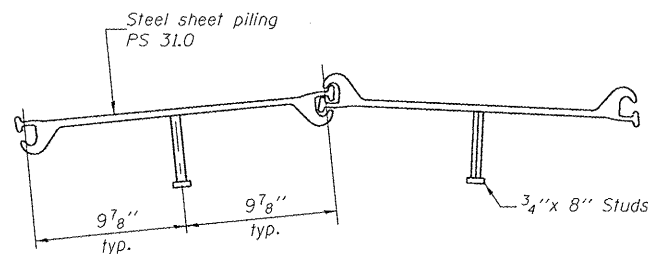
SECTION D-D

BARS a₁ & a₂

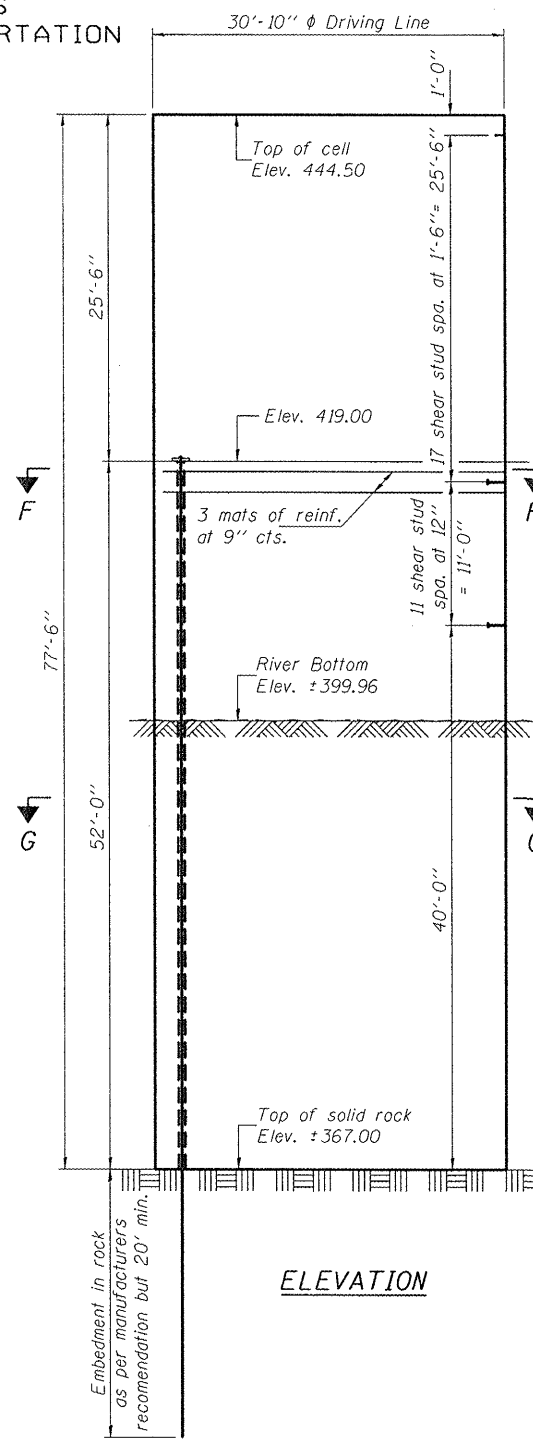


SECTION E-E

BARS a₃ & a₄



SHEET PILING DETAIL
(Req'd. = 59 sheets)



ELEVATION

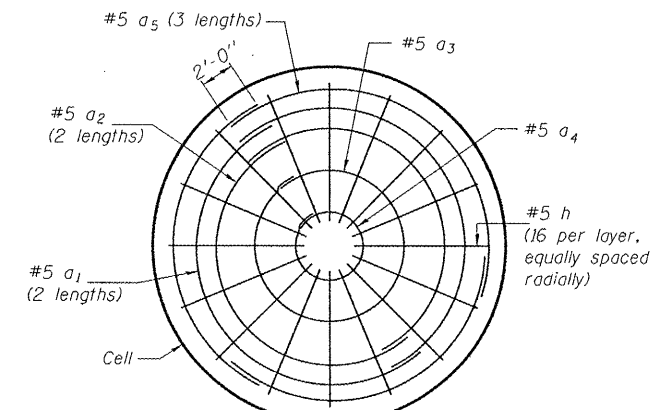
BILL OF MATERIAL

Bar	No.	Size	Length	Shape
a ₁	6	#5	38'-3"	C
a ₂	6	#5	29'-9"	C
a ₃	3	#5	36'-6"	O
a ₄	3	#5	17'-9"	O
a ₅	9	#5	30'-1"	C
h	48	#5	12'-0"	—
Spiral	18	#5	1'-8"	W
Reinforcement Bars			Pound	1820

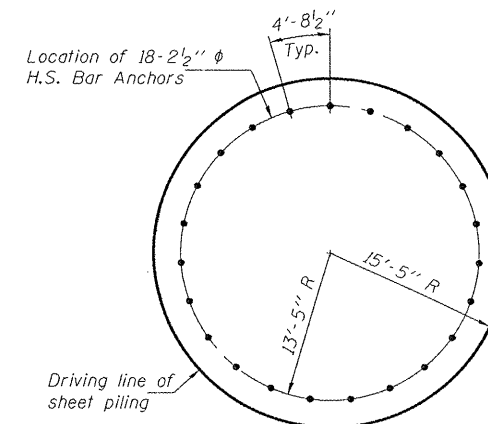
**Length = Estimated height of spiral.

NOTES

H.S. Bar Rock Anchors shall be high tensile strength alloy bars conforming to the requirements of AASHTO M275 Type I. Each bar shall be post-tensioned to a locking force of 49 K.
The Anchor length of the H.S. bar into rock, the strength of the primary grout, & the grouting procedure should be such that a design load of 337 K per anchor is attained.
The Anchor plates shall conform to the requirements of AASHTO M270 Gr 50W. The cost of furnishing Anchor plates is included with the item "Furnishing & Erecting Structural Steel".
Cost of post-tensioning, grouting, H.S. bar assembly, sheathing, etc. is included in the item Permanent Ground Anchors.
All exposed post-tensioning hardware shall receive solvent and blast cleaning, one coat of inorganic zinc primer, and one coat of epoxy paint after tensioning and grouting.
The H.S. bar steel couplers should be capable of developing the ultimate strength of the bar.
Centralizers shall be fabricated from material which is non-detrimental to the prestressing steel. The centralizer shall position the H.S. bar in the drill hole so a minimum of 5/8" of grout cover is provided.
Cost of all material except anchor plates shall be included in the pay item "Permanent Ground Anchors."



SECTION F-F



SECTION G-G

PIER PROTECTION CELL DETAILS
STRUCTURE NO. 086-0001

SHEET NO.	F.A.P. RTE.	SECTION	COUNTY	TOTAL SHEETS	SHEET NO.
4 SHEETS	757	D6 FLORENCE PIER PROTECTION	SCOTT	9	6
FED. ROAD DIST. NO.			ILLINOIS FED. AID PROJECT		
			CONTRACT NO. 72D07		