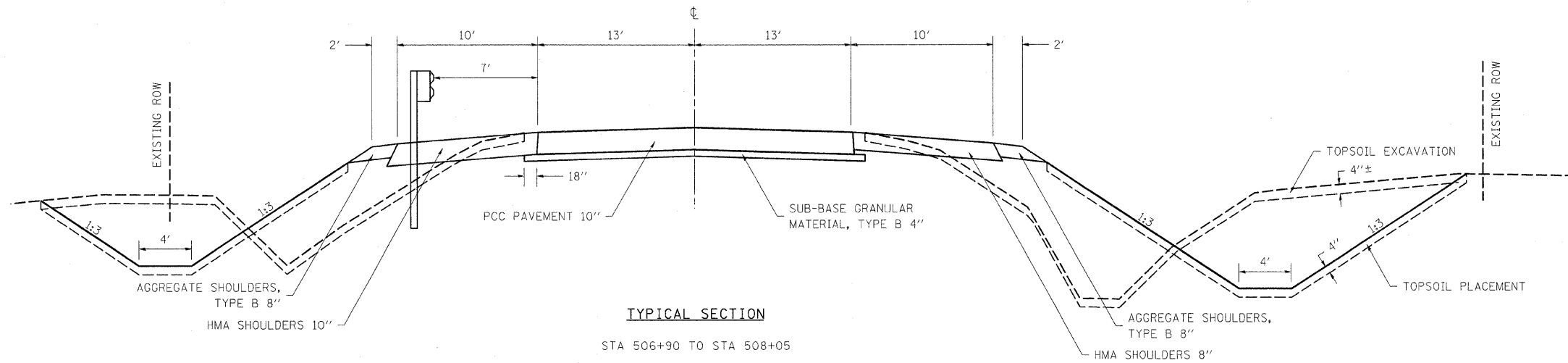


TYPICAL SECTION
 STA 505+15 TO STA 506+90
 STA 508+05 TO STA 509+85
 * USED FOR STAGE 2 TRAFFIC



TYPICAL SECTION
 STA 506+90 TO STA 508+05

FILE NAME =	USER NAME = steffennk	DESIGNED -	REVISED -	STATE OF ILLINOIS DEPARTMENT OF TRANSPORTATION	TYPICAL SECTIONS S.N. 096-0021 (BRANCH OF ELM RIVER)			F.A.P. RTE. 328	SECTION (9BR1, 10BR1)B1	COUNTY WAYNE	TOTAL SHEETS 67	SHEET NO. 8
at\pw_work\PWIDOT\STEFFENMK\dms08690\st-typ_74214.dgn	PLOT SCALE = 50.0000' / IN.	DRAWN -	REVISED -		SCALE:	SHEET NO.	OF SHEETS	STA.	TO STA.	FED. ROAD DIST. NO.	ILLINOIS FED. AID PROJECT	CONTRACT NO. 74214
	PLOT DATE = 1/12/2009	CHECKED -	REVISED -									
		DATE -	REVISED -									