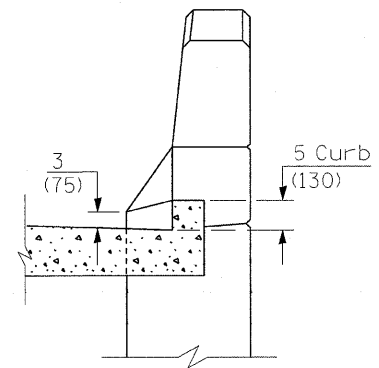
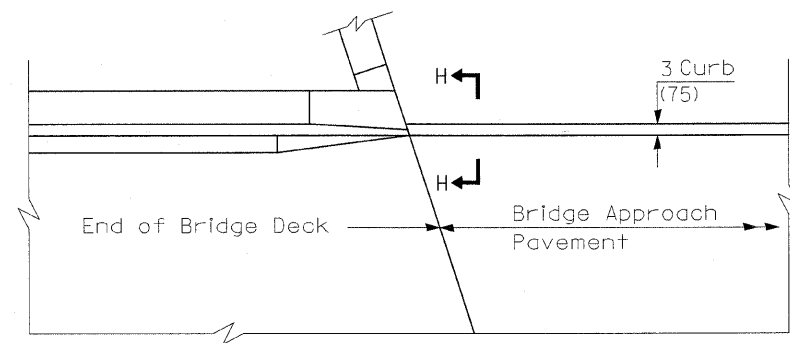


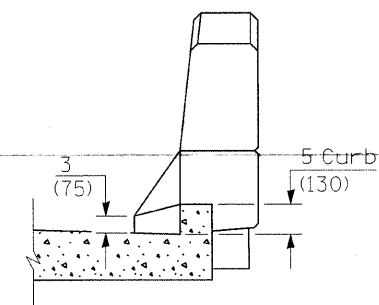
**PARAPET TO CURB TRANSITION
PILE BENT ABUTMENT**



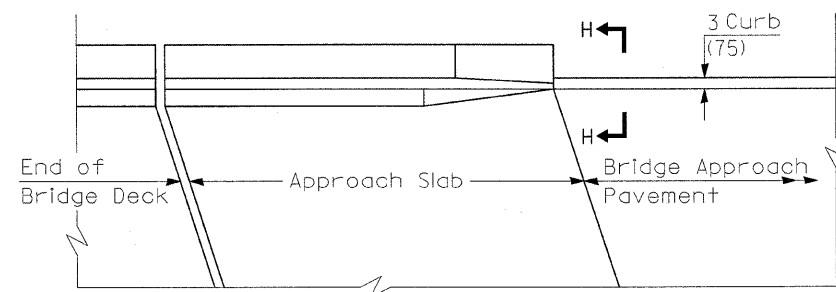
SECTION I - I



**PARAPET TO CURB TRANSITION
INTEGRAL ABUTMENT**



SECTION H - H



**PARAPET TO CURB TRANSITION
VAULTED ABUTMENT**